

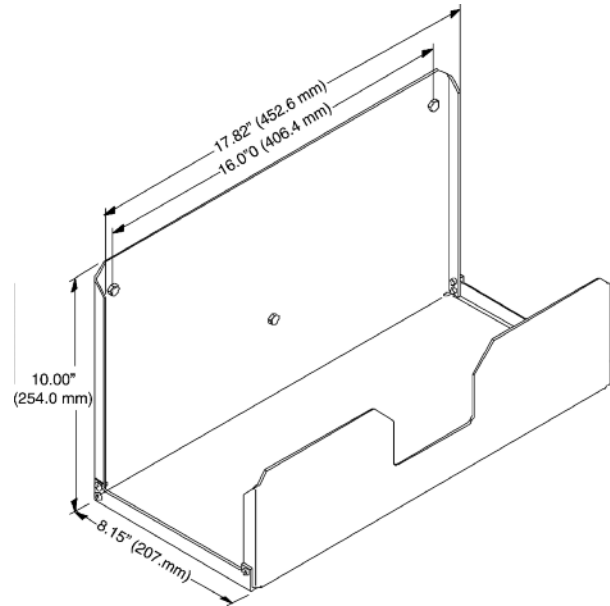
Product Cut Sheet

WALL-MOUNT CPU SHELF

Use the CPI Wall-Mount CPU Shelf whenever you need to raise mini-tower CPUs or other equipment, up to 7.5"W and 17"D (191 mm and 430 mm), off the floor or desk. This lightweight aluminum shelf provides an attractive, easy method to save space, provide convenience and protect CPUs from ground level environment hazards. Mounting hardware not included.

- Mount on secure plywood backboard or wall studs
- Fits most mini-tower CPUs
- Made of sturdy, lightweight aluminum
- Usable Dimensions: 17.35"W x 7.78"D (440.7 mm x 197.6 mm) maximum
- Supports up to 35 lb (15.9 kg)

Note: CPI strongly recommends that this shelf be securely attached to wall studs or a 3/4" wooden backboard with three 1/4-10 x 2" lag screws.



Part Number	Description	Shipping Weight lb (kg)
12332-X01	Wall-Mount CPU Shelf	5 (2.3)

X=color: 1=Gray, 2=Computer Beige, 5=Clear, 7=Black, E=Glacier White

800-834-4969 in U.S. & Canada • www.chatsworth.com



©2013 Chatsworth Products, Inc. All rights reserved. CPI, CPI Passive Cooling, GlobalFrame, MegaFrame, Saf-T-Grip, Seismic Frame, SlimFrame, TeraFrame, Cube-IT Plus, Evolution, OnTrac, Velocity and QuadraRack are federally registered trademarks of Chatsworth Products. eConnect and Simply Efficient are trademarks of Chatsworth Products. All other trademarks belong to their respective companies. 6/13