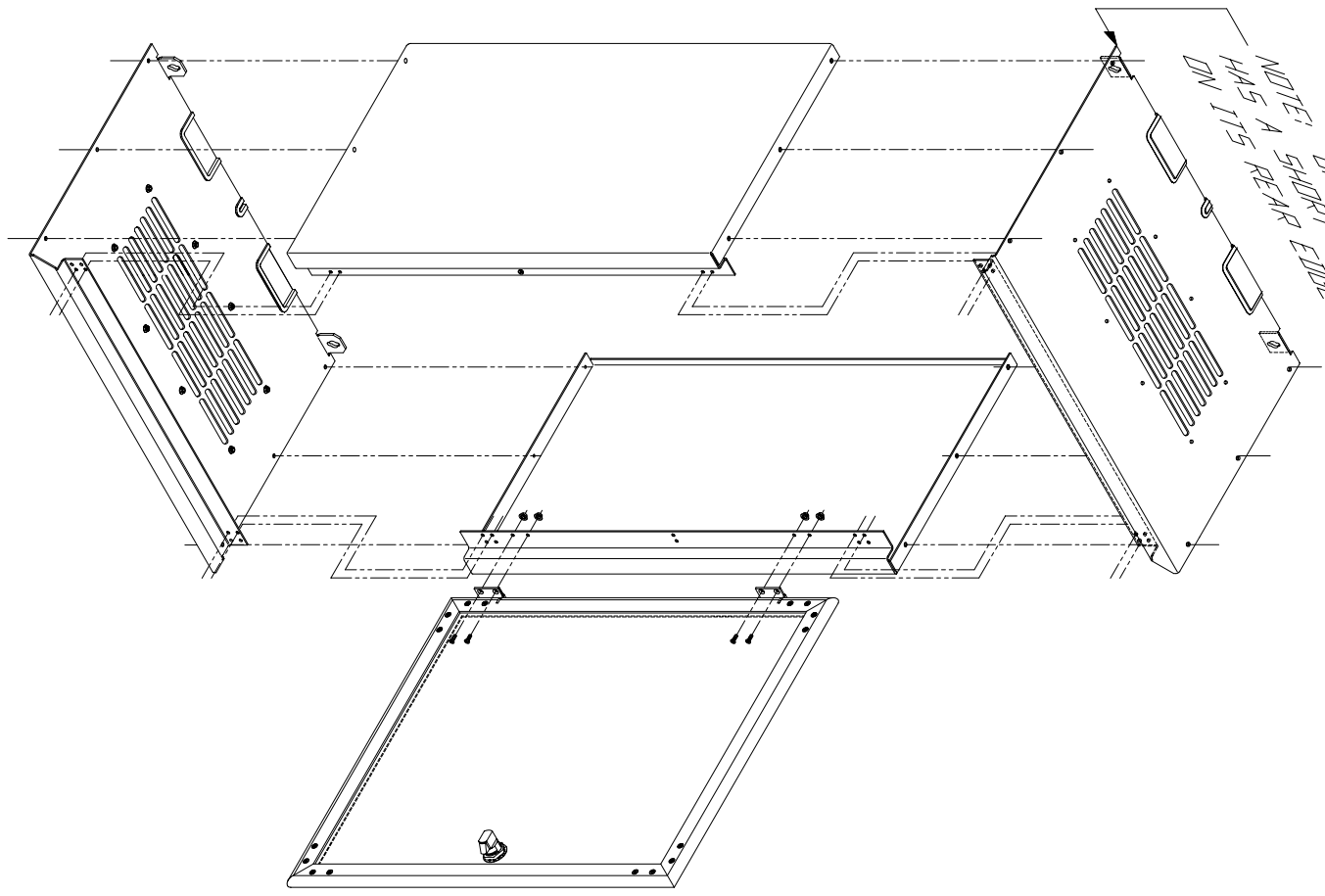


WALL MTD. RACK
WITH ENCLOSURE
ASSY. & MTG. INSTR.

THIS DRAWING CONTAINS INFORMATION PROPRIETARY TO CHATSWORTH PRODUCTS, INC. ANY REPRODUCTION, DISCLOSURE OR USE OF THIS DRAWING IS EXPRESSLY FORBIDDEN EXCEPT AS AGREED TO IN WRITING BY CHATSWORTH PRODUCTS, INC.

1. ASSEMBLE THE ENCLOSURE AS SHOWN BELOW.
2. USING:
FOR TOP AND BOTTOM TO SIDES:
28 EA. .125 DIA. RIVETS.
FOR DOOR:
4 EA. 8-32 X 5/16 FLAT HEAD SCREWS.
AND 4 EA. SERATED FLANGE NUTS.

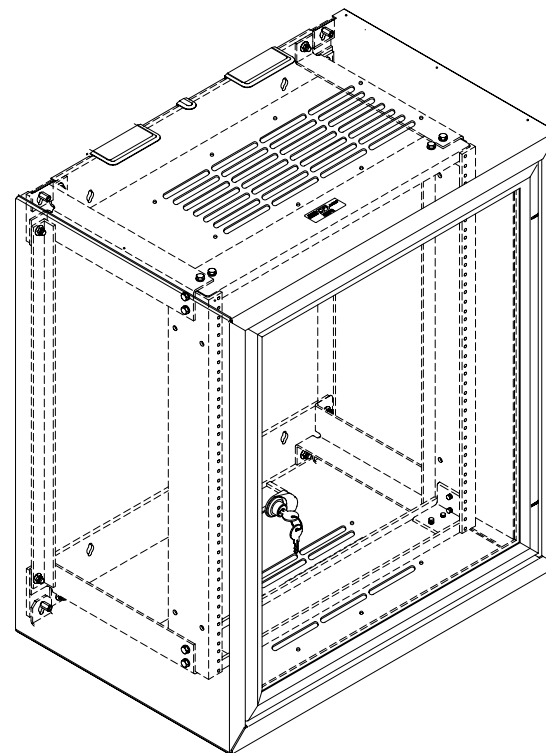
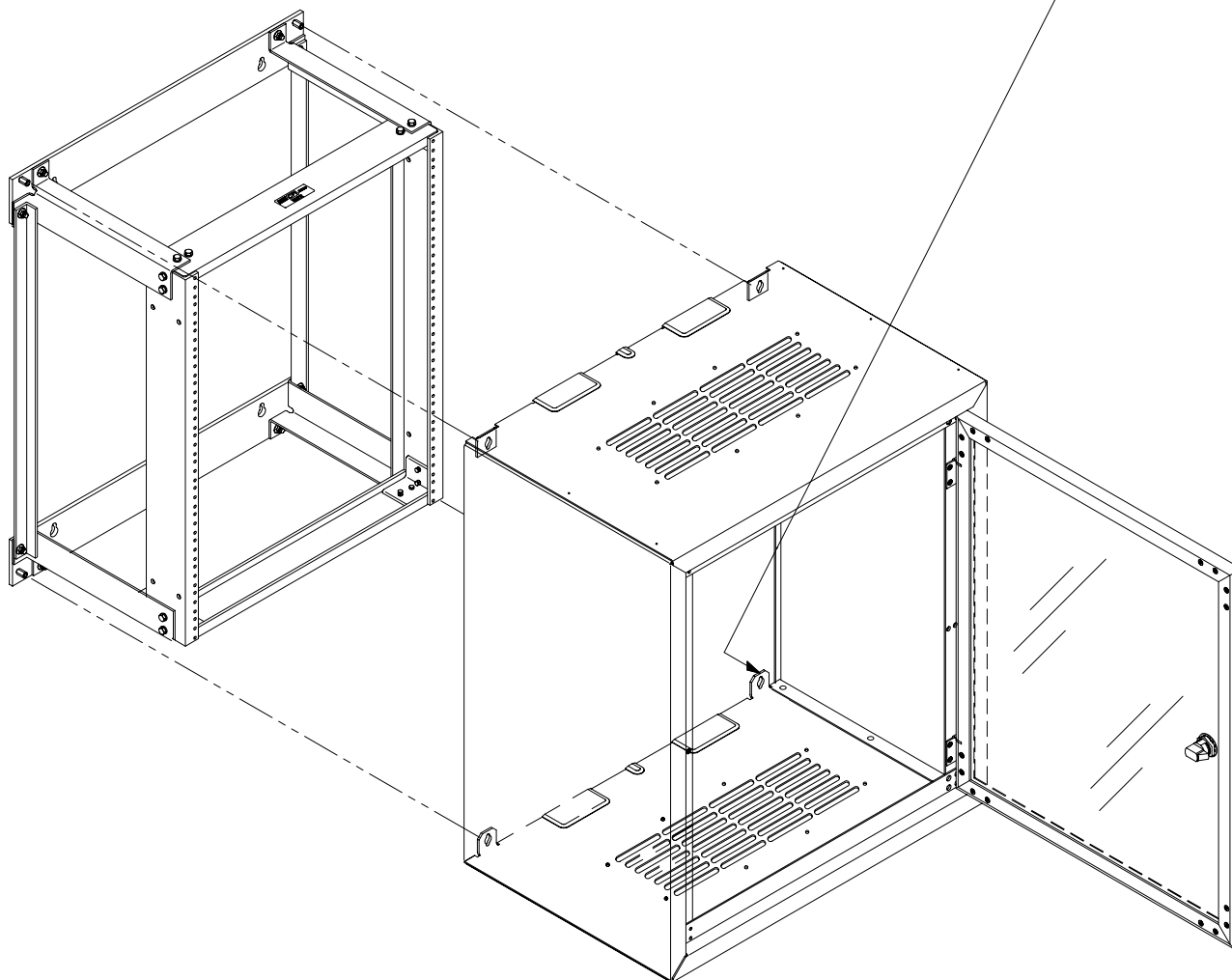
*NOTE: UPPER SECTION
HAS A SHORT FLANGE
ON ITS REAR EDGE.*



WALL MTD. RACK
WITH ENCLOSURE
ASSY. & MTG. INSTR.

THIS DRAWING CONTAINS INFORMATION PROPRIETARY TO CHATSWORTH PRODUCTS, INC. ANY REPRODUCTION, DISCLOSURE OR USE OF THIS DRAWING IS EXPRESSLY FORBIDDEN EXCEPT AS AGREED TO IN WRITING BY CHATSWORTH PRODUCTS, INC.

1. MOUNT ENCLOSURE AS SHOWN BELOW, HOOKING THE (4) REAR ENCLOSURE KEYHOLES OVER THE (4) SHOULDER NUTS, AT THE CORNERS OF RACK BRACKETS.



COMPLETED ASSEMBLY
(X-RAY VIEW)

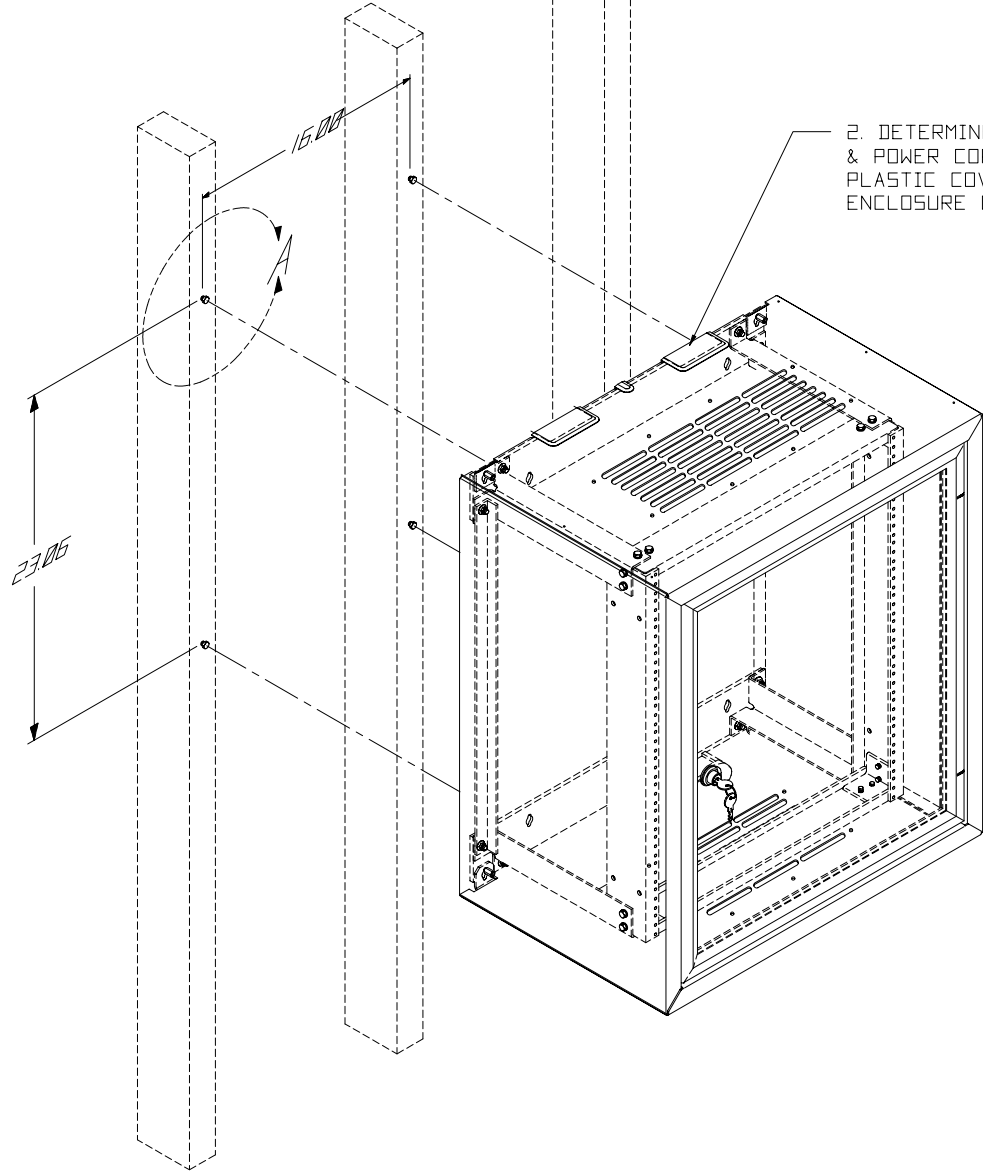
CPI CHATSWORTH PRODUCTS, INC.

WALL MTD. RACK
WITH ENCLOSURE
ASSY. & MTG. INSTR.

THIS DRAWING CONTAINS INFORMATION PROPRIETARY TO CHATSWORTH PRODUCTS, INC. ANY REPRODUCTION, DISCLOSURE OR USE OF THIS DRAWING IS EXPRESSLY FORBIDDEN EXCEPT AS AGREED TO IN WRITING BY CHATSWORTH PRODUCTS, INC.

NOTE: IT IS ADVISED THAT WALL-MOUNTED EQUIPMENT RACKS BE MOUNTED TO A 3/4" PLYWOOD BACKBOARD, SECURELY FASTENED TO THE WALL STUDS.

2. DETERMINE LOCATION OF CABLE & POWER CORD & REMOVE APPROPRIATE PLASTIC COVERS PRIOR TO INSTALLING ENCLOSURE ON WALL.



PRE-DRILLED HOLES CENTERED IN WALL STUDS (4 PLS)

VIEW A

1. WHEN MOUNTING 1/4-10 X 2" HEX-HEAD LAG SCREW 4 EA. LEAVE 3/8" GUT TO INSTALL ENCLOSURE. TIGHTEN BOLTS ONCE INSTALLED.



WALL MTD. RACK WITH ENCLOSURE ASSY. & MTG. INSTR

THIS DRAWING CONTAINS INFORMATION PROPRIETARY TO CHATSWORTH PRODUCTS, INC. ANY REPRODUCTION, DISCLOSURE OR USE OF THIS DRAWING IS EXPRESSLY FORBIDDEN EXCEPT AS AGREED TO IN WRITING BY CHATSWORTH PRODUCTS, INC.