

Product Information Sheet

XLBET 110A BLOCK MOUNTING SYSTEM

The XLBET (Extra Large Building Entrance Terminal) 110A Block Mounting System has been designed for high-density, space-saving 110A (**with legs**) style block mounting. The 8" W x 6.6" D large wire managers provide distinct vertical and horizontal cable and jumper pathways for efficient space usage. The basic frame (23" or 35"), mounting bars, and the small and large wire managers are available under one part number. The XLBET 110A Block Mounting System ships completely assembled for quick, easy installation.

- Ships fully assembled for quick, easy installation
- Supports 300 pair 110A style blocks
- 3600 pair in two columns to 5400 pair in three columns can be mounted per side depending on the frame selected
- Double-sided version provides 7200 to 10,800 pair depending on the frame selected
- Horizontal and vertical cable managers provide clearly defined cable routing of large quantities of cross-connect wires
- 6" deep rack channel provides extra cable capacity

11810-X36 Kit (3600 pair/12 blocks/single sided) consists of:

- (1) 23" Standard Rack, 6" deep (P/N 66383-X03)
- (6) XLBET Mounting Bars (P/N 11770-X23)
- (3) XLBET Small Wire Managers (P/N 11771-X23)
- (3) XLBET Large Wire Managers (P/N 11772-X23)

11810-X72 Kit (7200 pair/24 blocks/double-sided) consists of:

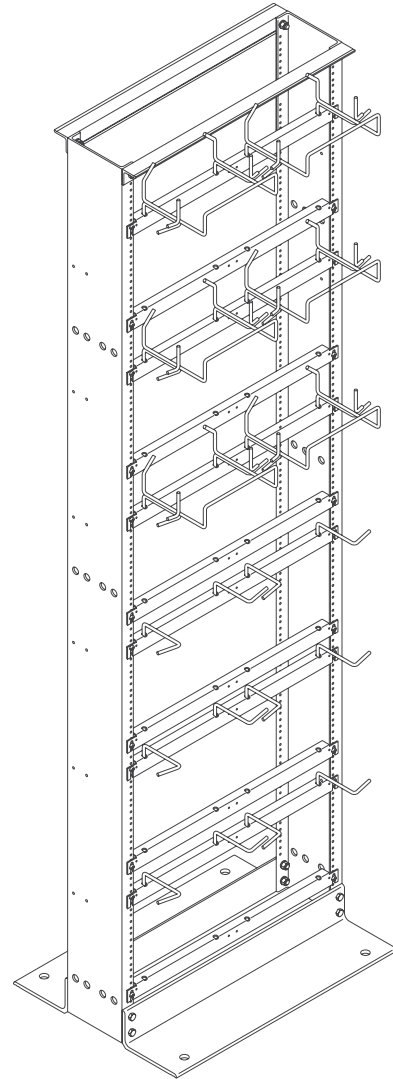
- (1) 23" Standard Rack, 6" deep (P/N 66383-X03)
- (12) XLBET Mounting Bars (P/N 11770-X23)
- (6) XLBET Small Wire Managers (P/N 11771-X23)
- (6) XLBET Large Wire Managers (P/N 11772-X23)

11910-X54 Kit (5400 pair/18 blocks/single-sided) consists of:

- (1) 35" Standard Rack, 6" deep (P/N 66363-X03)
- (6) XLBET Mounting Bars (P/N 11880-X35)
- (3) XLBET Small Wire Managers (P/N 11881-X35)
- (3) XLBET Large Wire Managers (P/N 11882-X35)

11910-X80 Kit (10800 pair/36 blocks/double-sided) consists of:

- (1) 35" Standard Rack, 6" deep (P/N 66363-X03)
- (12) XLBET Mounting Bars (P/N 11880-X35)
- (6) XLBET Small Wire Managers (P/N 11881-X35)
- (6) XLBET Large Wire Managers (P/N 11882-X35)



Part Number		Part Number		Color
23" Width		35" Width		
3600 Pair	7200 Pair	5400 Pair	10,800 Pair	
11810-136	11810-172	11910-154	11910-180	Gray
11810-236	11810-272	11910-254	11910-280	White
11810-736	11810-772	11910-754	11910-780	Black

800-834-4969 in U.S. & Canada • www.chatsworth.com



CHATSWORTH PRODUCTS, INC.

All products quoted are subject to availability base on manufacturing capacity and shipping dates should be considered estimates only. While every effort has been made to ensure the accuracy of all information, CPI does not accept liability for any errors or omissions and reserves the right to change information and descriptions of listed services and products.
©2002Chatsworth Products Inc. All rights reserved. CPI and MegaFrame are registered trademarks of Chatsworth Products, Inc.
All other trademarks belong to their respective companies. 5/02/GT Rev.1 10/06