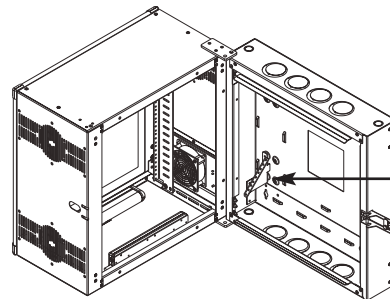
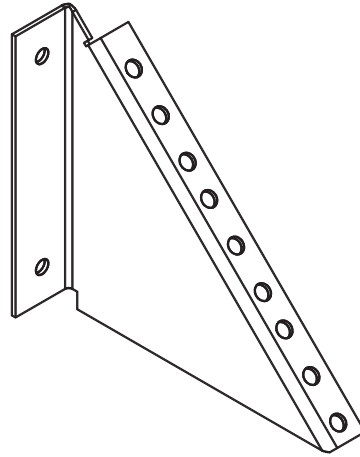


Product Information Sheet

45° MOUNTING BRACKET (CUBE-IT PLUS)

The 45° Mounting Bracket mounts to the interior of the Cube-iT Plus Wall-Mount Cabinet's rear panel to mount additional equipment such as patch panels, cable managers and power strips.

- Facilitates mounting patch panels, cable manager or other devices in rear panel
- Provides 3 RMU of 19" rack-mount space
- Includes installation hardware



Shown in
Cube-iT PLUS
Cabinet

Part Number	Description	Shipping Weight
12796-501	45 Degree Mounting Bracket, Pair	3 lb

800-834-4969 in US & Canada • www.chatsworth.com



CHATSWORTH PRODUCTS, INC.

©2003 Chatsworth Products, Inc. 5/03/GT