

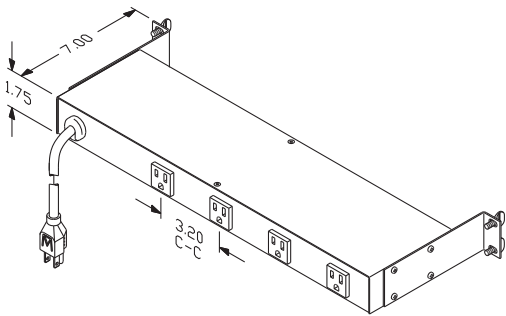
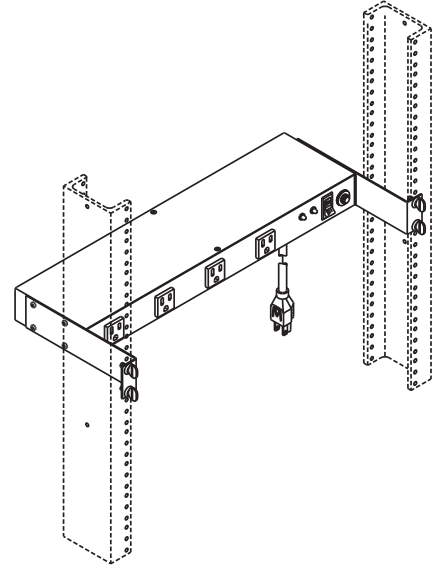
Product Cut Sheet

TRANSFORMER SPACED POWER STRIP

The CPI transformer-spaced power strip lets you plug in bulky, awkward transformers without skipping outlets. Features 8 outlets (4 front/4 rear) and surge protection rated at 15 amps, 125 volts. Mounts on 19" or 23" racks available with or without On/Off switch. Only one rack mounting unit (1.75") high. 10' (3 m) cord. Easy mounting to rack channel. #12-24 thumb screws included for mounting strip to rack. Packaged one per shipping carton.

Available in black only.

- 8 transformer spaced 3-prong (4 front/4 rear) 110 outlets
- 330/500 Clamping Voltage
- Available with or without On/Off switch
- Rated at 15 Amp at 125 VAC
- 15 Amp resettable circuit breaker, green LED power on and red LED surge protection active indicators



Part Number	Inlet			Outlet Receptacles		Circuit Breakers	Surge Protection	On/Off Switch	Size
	Volts	Amps	Plug/Inlet	Qty	Type				
12301-719	125	15	NEMA 5-15P	8	NEMA 5-15R	1 x 15A (T)	Yes	Yes	A
12302-719	125	15	NEMA 5-15P	8	NEMA 5-15R	1 x 15A (T)	Yes	-	A
12301-723	125	15	NEMA 5-15P	8	NEMA 5-15R	1 x 15A (T)	Yes	Yes	B
12302-723	125	15	NEMA 5-15P	8	NEMA 5-15R	1 x 15A (T)	Yes	-	B

Size = W x H x D

A = 19" EIA x 1 RMU x 7" (78 mm)

B = 23" x 1 RMU x 7" (78 mm)

800-834-4969 in U.S. & Canada • www.chatsworth.com



CHATSWORTH PRODUCTS, INC.

©2012 Chatsworth Products, Inc. All rights reserved. CPI, CPI Passive Cooling, MegaFrame, Saf-T-Grip, Seismic Frame, SlimFrame, TeraFrame, GlobalFrame, Cube-iT Plus, Evolution, OnTrac, QuadraRack and Velocity are federally registered trademarks of Chatsworth Products, Inc. Simply Efficient is a trademark of Chatsworth Products, Inc. All other trademarks belong to their respective companies.