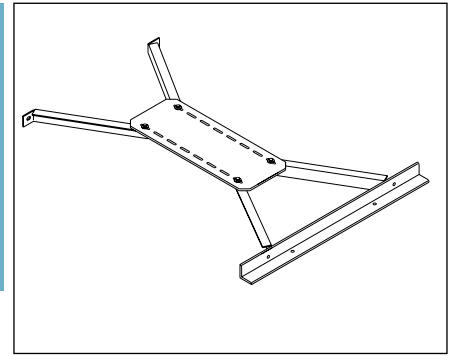
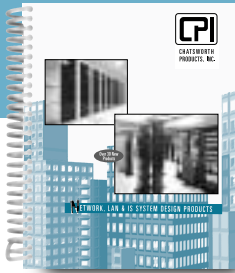


NEW CATALOG ITEM

ORGANIZING. STORING. SECURING.



MEGAFRAME™ Cabinet System

ADJUSTABLE BRACING KIT

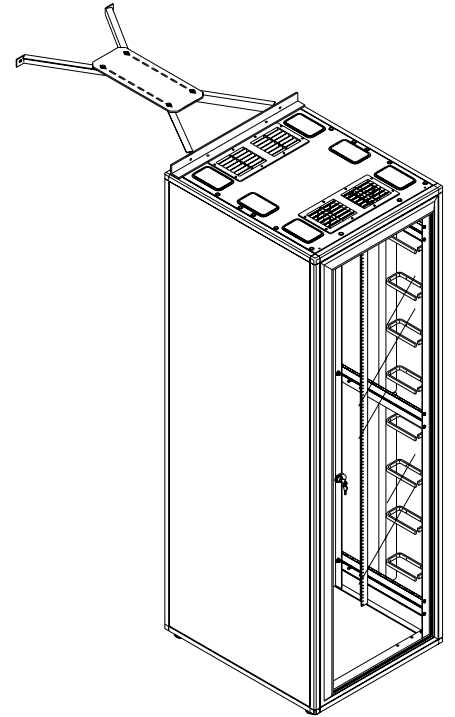
FEATURES:

- ▼ Provides positive bracing of MegaFrame Cabinet for protection against excessive motion.
- ▼ Adjustable 24" to 36" depth from wall.*
- ▼ Made of strong, light-weight aluminum.
- ▼ Quick, simple installation.
- ▼ Available in four colors to complement cabinet installations.

The new Adjustable Bracing Kit installs easily onto the MegaFrame Cabinet. Use this strong bracing kit where there is a risk of seismic activity. Earthquake design criteria specify that equipment remain operational when subjected to earthquakes even though some small amount of repairable secondary physical damage may occur.

The MegaFrame Adjustable Bracing Kit provides protection against excessive motion of the cabinet that could cause undue strain on cable or conduit interconnection or damage to electronic equipment. It attaches directly to the wall and cabinet bracing angle with bolts to provide positive bracing.

The Adjustable Bracing Kit provides a cost effective, attractive solution to bracing the MegaFrame cabinet.



NOTE: For secure bracing, it is recommended that the cabinet be secured to the floor using the proper floor installation kit along with CPI Floor Anchor Clamp provided with each MegaFrame Cabinet System.

* 19" MegaFrame door swing is 24".
23" MegaFrame door swing is 28".

An Employee
Owned Corporation



CHATSWORTH
PRODUCTS, INC.

Chatsworth, CA Operations
818-882-8595 • 818-718-0473 FAX
Georgetown, TX Operations
512-863-7800 • 512-869-1374 FAX
New Bern, NC Operations
252-514-2779 • 252-514-2977 FAX
New Castle, IN Operations
765-599-9000 • 765-593-0950 FAX
Email
techsupport@chatsworth.com
Web site
www.chatsworth.com

PART NUMBER		DISTRIBUTOR PART NUMBER		SHIPPING WEIGHT		COLOR
19" CABINET	23" CABINET	19" CABINET	23" CABINET	19"	23"	
12477-119	12477-123			6 lb	7 lb	Gray
12477-219	12477-223			6 lb	7 lb	White
12477-519	12477-523			6 lb	7 lb	Clear
12477-719	12477-723			6 lb	7 lb	Black