

# Installation Instructions

## VELOCITY VERTICAL CABLE MANAGER

### Safety Information



**WARNING:** Improper use of this product may lead to serious injury or death. Read and understand all instructions for proper installation and use of this product.



**WARNING:** Do not lift product by plastic fingers.



**WARNING:** Product not designed for stand-alone use. Support product properly until bolted to rack. Do not leave unsupported product unattended.

### Intended Use

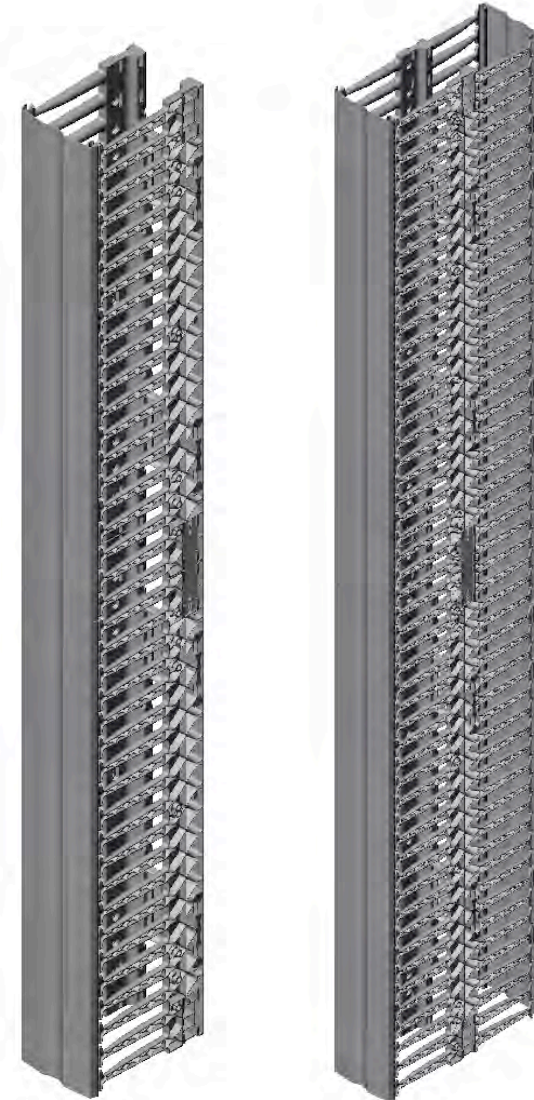
Install the Velocity vertical cable manager only in a restricted service environment, such as a data center. Use indoors only, in environmentally controlled areas; do not use outdoors, in harsh environments or in air-handling spaces. Use this cable manager to house copper and fiber data communications cabling. Allow only qualified service personnel to use this VCM.

### Tools Required

13mm Wrench

### Included Hardware

8 each	4 each	8 each	8 each
M8 x 25mm	M8 x 35mm	8mm	8mm Shoulder
Hex head bolt	Hex head bolt	Hex nut	Washer



CHATSWORTH PRODUCTS, INC.

IIS-713902, 8/16/10, Rev. 2, CPI/J Young

800-834-4969 (USA & Canada) • [www.chatsworth.com](http://www.chatsworth.com) • [techsupport@chatsworth.com](mailto:techsupport@chatsworth.com)

For international phone numbers, see our website or contact CPI Tech Support.

*This drawing contains proprietary and confidential information and is protected by U.S. and international law. Unauthorized reproduction, disclosure or use of the drawing or the information therein is expressly forbidden except as agreed to in writing Chatsworth Products, Inc.*

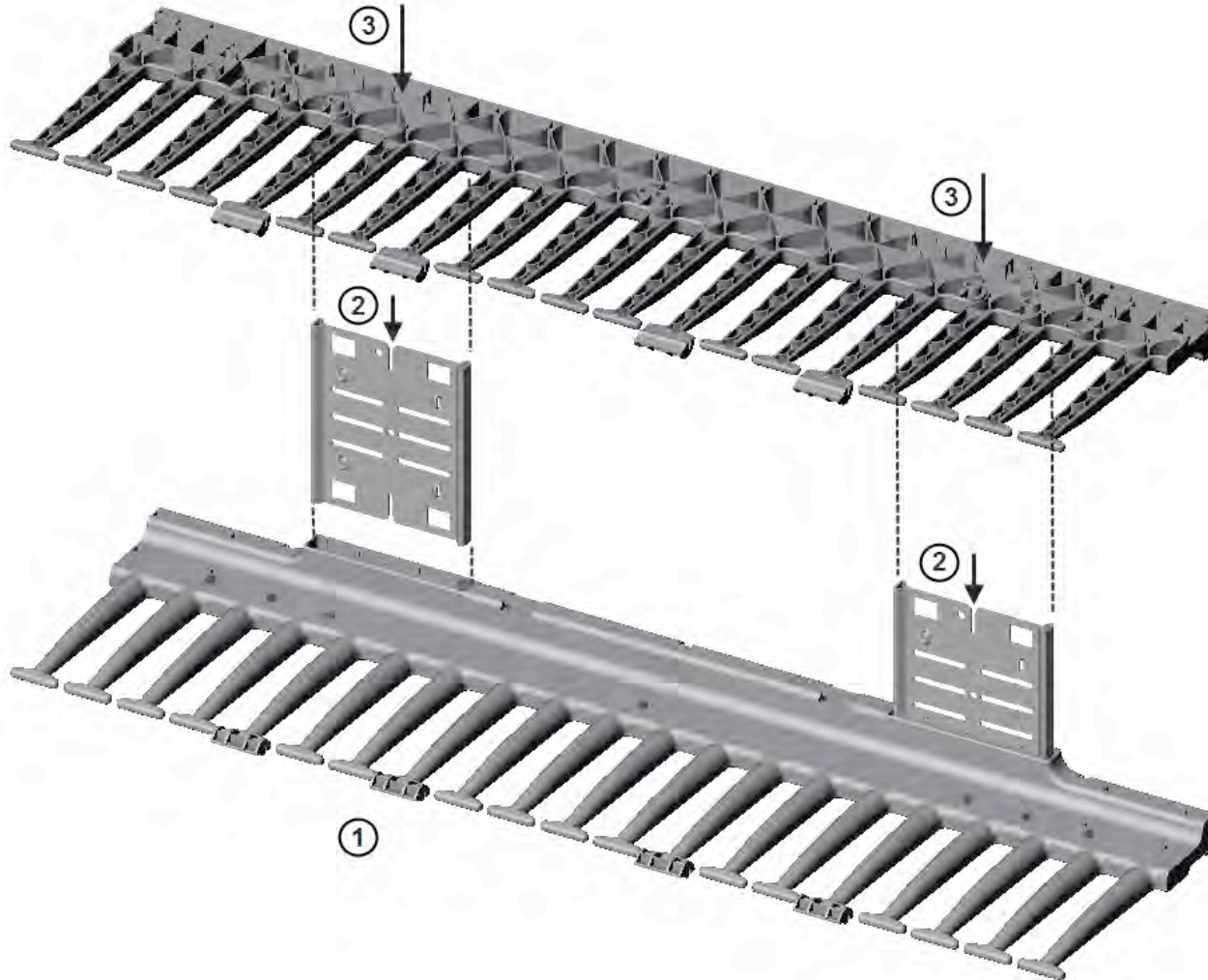
# Installation Instructions

## VELOCITY VERTICAL CABLE MANAGER

### Assembly Instructions

The cable manager consists of an upper and lower cable section. For 6' and 8' tall managers the upper and lower sections are the same. The 7' tall manager has a short upper section and a long lower section. Assemble each section as follows.

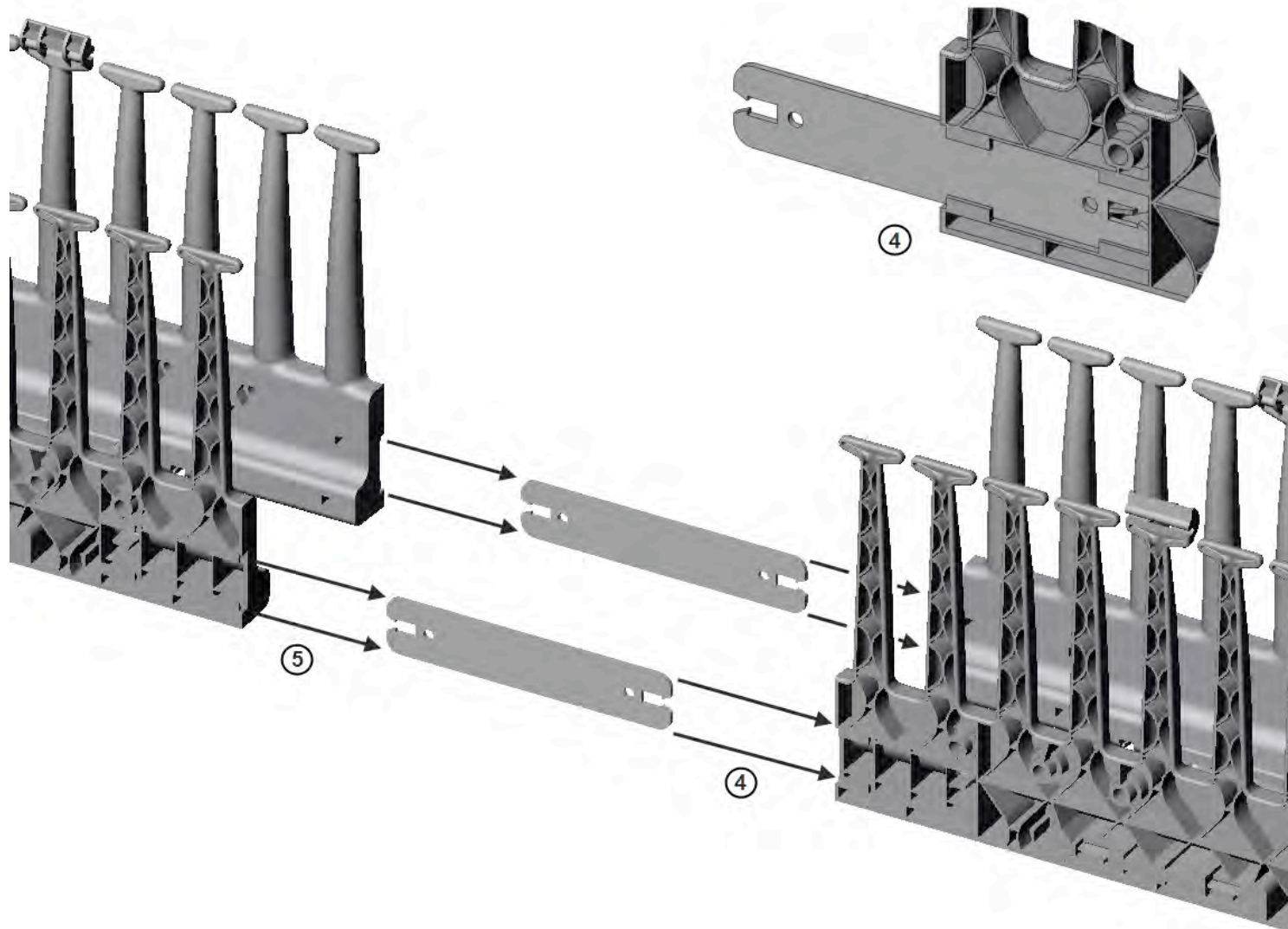
1. Lay a plastic cable guide part on a flat surface.
2. Insert a connector bracket into each slot in the cable guide until it is fully seated.
3. Place the other cable guide over the connector brackets and press firmly until fully seated; pressure should be applied directly over brackets.



# Installation Instructions

## VELOCITY VERTICAL CABLE MANAGER

4. Insert the two splice plates into the slots at one end of a cable section assembly. Be sure that the plate is fully seated as shown in the detail at the upper right.
5. Slide the other cable section assembly onto the protruding ends of the splice plates until fully seated.



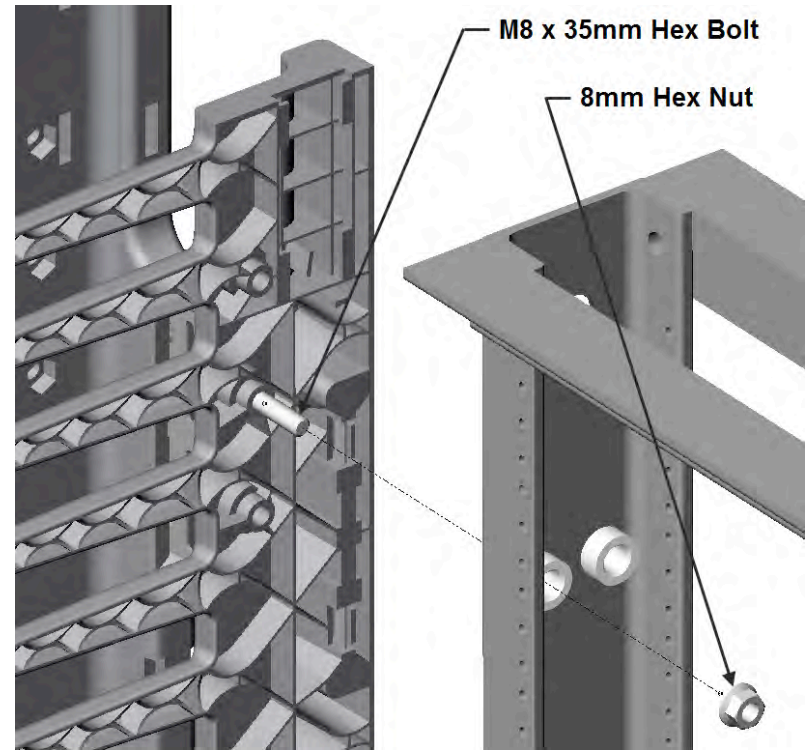
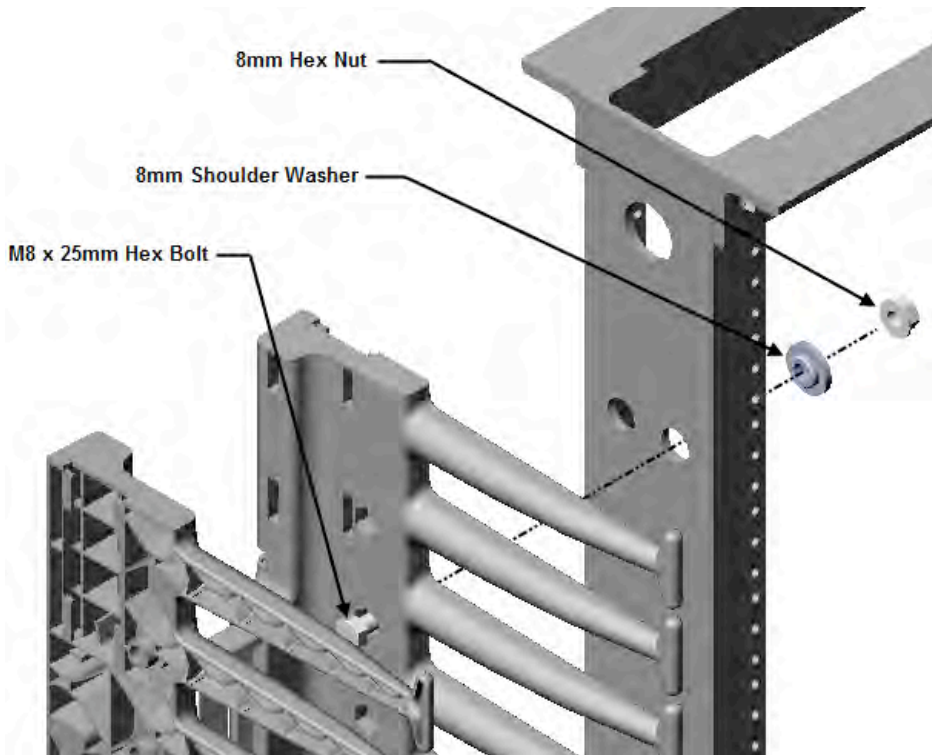


# Installation Instructions

## VELOCITY VERTICAL CABLE MANAGER

### Installation

1. Position the cable manager next to the rack. **Note: the 7' high manager must have the shorter section positioned at the top.** Insert a M8 x 25mm long bolt through the top mounting hole in the manager as follows: For the 6' manager use the second hole from the top (see picture on left below), for the 7' manager use the fourth hole from the top, and for the 8' manager use the second hole from the top. From the inside of the rack, slide the shoulder washer onto the bolt and then mount the manager on the rack with the bolt going through the top front rack hole as shown below; the small end of the shoulder washer must be positioned inside the rack hole. Install a nut on the bolt and finger tighten only.
2. Install the remaining bolts, shoulder washers, and hex nuts; two more for the 6' and 7' racks, and 3 more for an 8' rack. Tighten all nuts  $\frac{1}{2}$  turn past hand tight, do not over tighten.
3. For racks that have threaded inserts installed inside the rack channel, see picture at right, use the M8 x 35mm long bolts and hex nuts through the inserts; no washers are used at these locations.

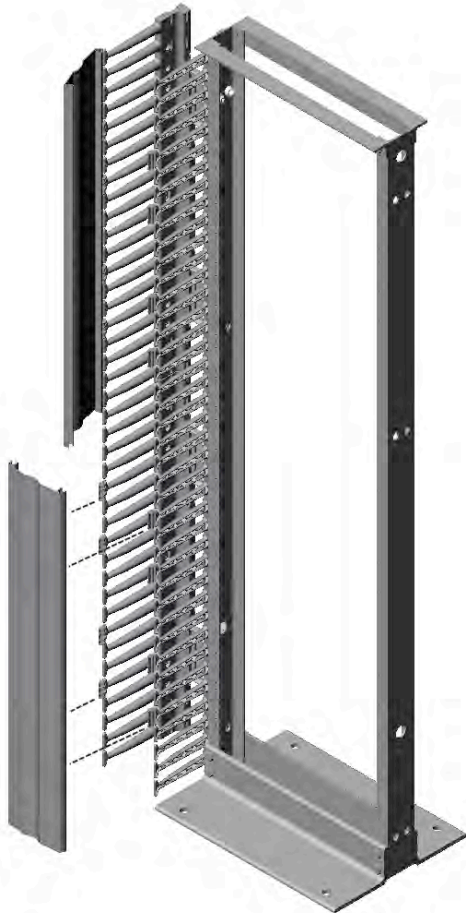


# Installation Instructions

## VELOCITY VERTICAL CABLE MANAGER

### Door Operation

1. Mount each door by positioning over the hinges and pressing firmly until it snaps in place.
2. The doors can be hinged open for cable access; grasp the door at one of the corners and pull until it releases, do not pull the door open from the center as it will be difficult. Caution: Care should be taken when the doors are in the open position as the corners could cause injury if bumped into.
3. The doors may be cleaned with soapy water; do not use solvents or harsh cleaners.



### Optional Cable Spool Kits

There are two cable spool kits available:

- Kit 13935-701 is a smaller 2" diameter spool that can be used on 6" or wide cable managers. See instructions provided with kit for installation.
  - Kit 15008-001 is a larger spool that can be used on 10" and 12" wide cable managers. Cable spool spacer kit 35505-001 can be used with the large spool in the front cabling area so that the spool extends for the full depth. Installation instructions for the large spool are shown below.
1. To mount a spool on one side of the bracket only, use the center hole in the bracket as shown for the top spool below.
  2. If spools are to be mounted on the front and back side of the bracket, the spools are mounted staggered with the screws going through the slots as shown for the lower spools in the picture.

