

THINLINE II CABINET
Part Number 13050-xxx

Contents :

1. Cabinet with adjustable rails.
2. Keys.
3. Installation instructions.
4. Hardware kit (025-715010-193) (includes)

- (4) 1/4-10 x 2 lag screws
- (2) edge grommets
- (20) 12-24 Pan Head Rail Screws
- (2) Saf-T-Grip Velcro Straps

REQUIRED TOOLS FOR INSTALLATION

- Drill
- 1/164 Drill Bit
- 3/8 Drill Driver
- Torx T25 Driver
- Phillips Screwdriver

OPTIONAL ACCESSORIES

Intelligent Fan Kit

- (P/N 13051-001 4 and 6 RMU cabinets)
- (P/N 13051-002 2 RMU cabinets)

Patch Panel Wire Management Bar

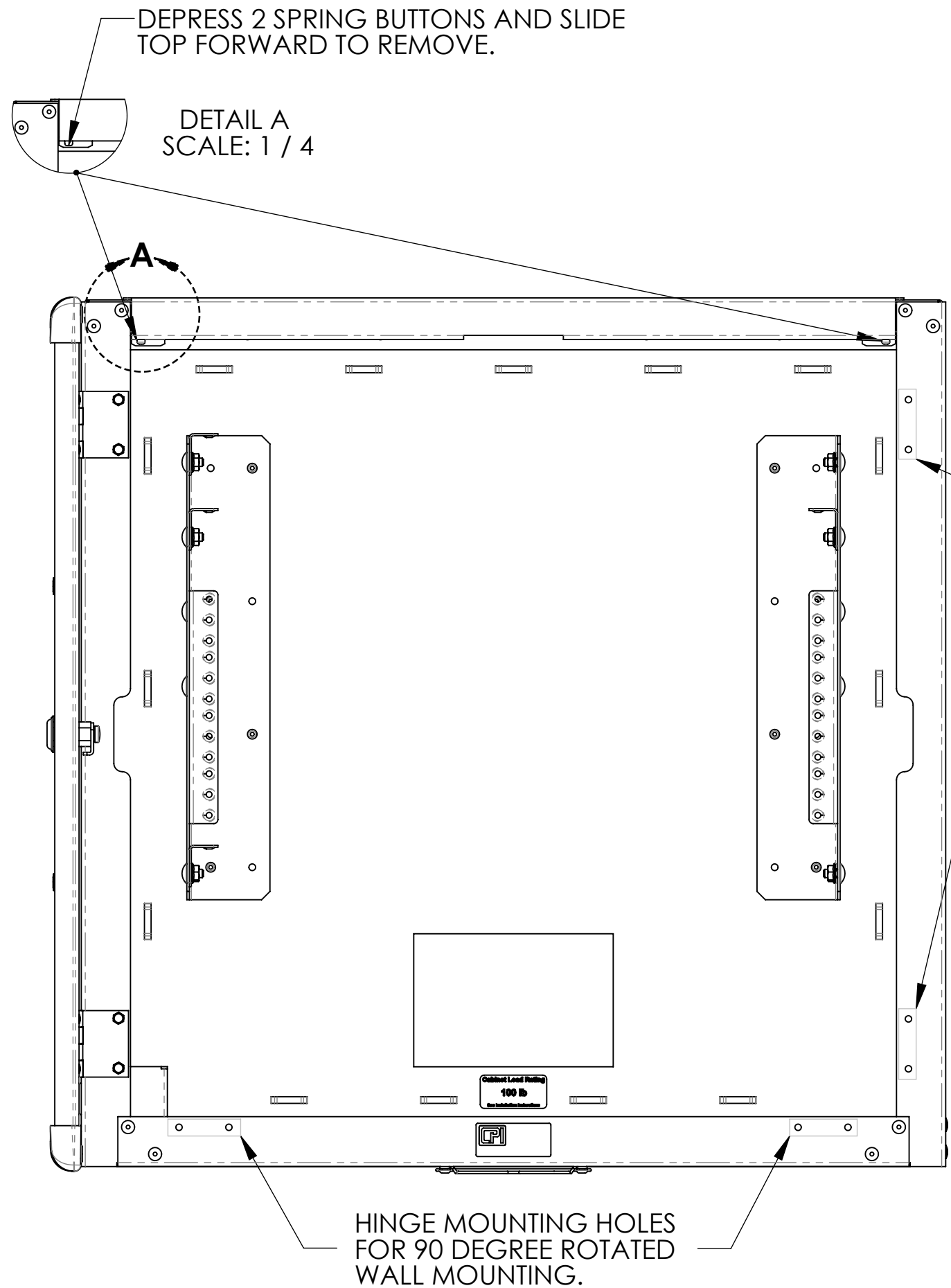
- (P/N 12176-X01)

Fiber Slack Manager Panel

- (P/N 12955-X19)

Surge Suppressed Outlet

- (P/N 12934-001)



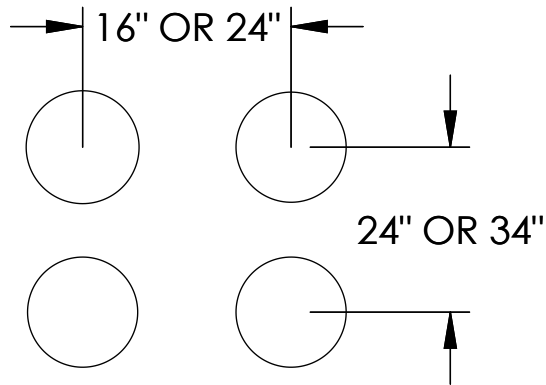
800-834-4969 techsupport@chatsworth.com www.chatsworth.com

**THINLINE II
 INSTALLATION
 INSTRUCTIONS**

THIS DRAWING CONTAINS PROPRIETARY AND CONFIDENTIAL INFORMATION AND IS PROTECTED BY U.S. AND INTERNATIONAL LAW. UNAUTHORIZED REPRODUCTION, DISCLOSURE OR USE OF THE DRAWING OR THE INFORMATION THEREIN IS EXPRESSLY FORBIDDEN EXCEPT AS AGREED TO IN WRITING BY CHATSWORTH PRODUCTS, INC.

NOTE:

The cabinet must be secured using all 4 lag screws provided. The screws are intended to go through 3/4" plywood and into wood wall studs. For masonry surface, installer must provide appropriate hardware.

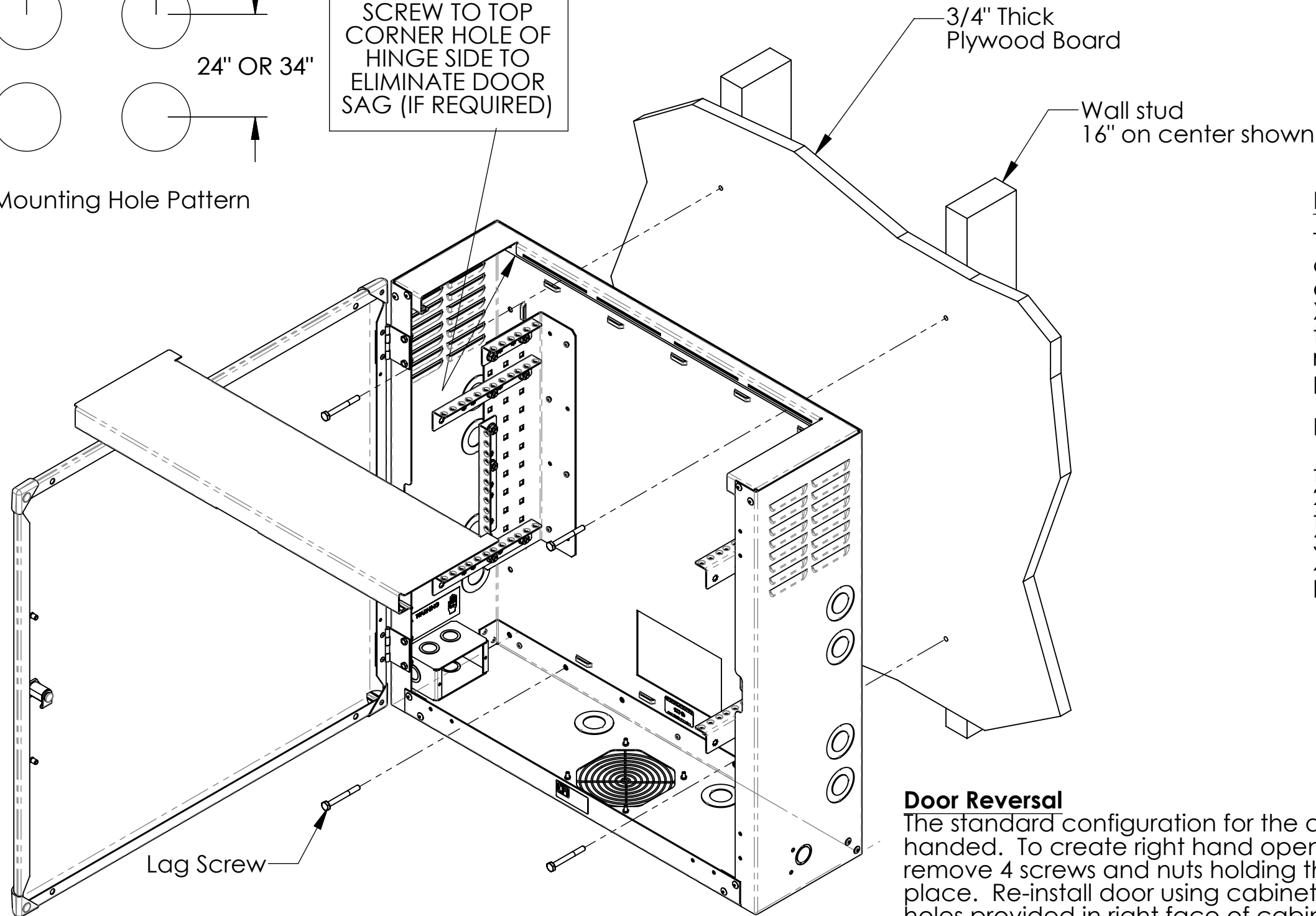


Mounting Hole Pattern

HINT
INSTALL ADDITIONAL SCREW TO TOP CORNER HOLE OF HINGE SIDE TO ELIMINATE DOOR SAG (IF REQUIRED)

Removable Top Panel

- Depress 2 snap buttons on left and right top inside (see sheet 1) and slide panel out. To replace, set panel flat on the cabinet top and slide toward rear. Push panel until both buttons snap into place.



Model 13050-X12 (26" x 26" x 8.5") shown for illustration purposes

Mounting Cabinet to Wall

(removal of top panel recommended)

1. Insure that the wall or mounting surface has sufficient strength to support the cabinet and expected payload. The mounting surface must also be flat and extend beyond the top, bottom, left, and right edges of the cabinet.
2. Drill 1 1/64" pilot holes for the four lag 1/4-10 x 2" screws provided.
3. Secure cabinet to wall by installing lag screws through mounting holes in cabinet into wall and tighten screws.

Rotated Mounting :

This illustration shows the ThinLine II cabinet configured for top or front mounting of rack equipment. The 26" tall models (P/N's 13050-X11,X12,X13) are designed with the flexibility to mount the cabinet in a 90 degree rotated position with the removable top panel on the right or left.

For rotated mounting :

1. Remove 4 screws and nuts which attach the door to the cabinet.
2. Rotate cabinet 90 degrees left or right of that shown in the figure to the left.
3. Install using the above procedure.
4. Re-install door using the cabinet hinge holes for rotated mounting (see sheet 1).

Door Reversal

The standard configuration for the door is left handed. To create right hand open door, remove 4 screws and nuts holding the door in place. Re-install door using cabinet hinge holes provided in right face of cabinet (see sheet 1).



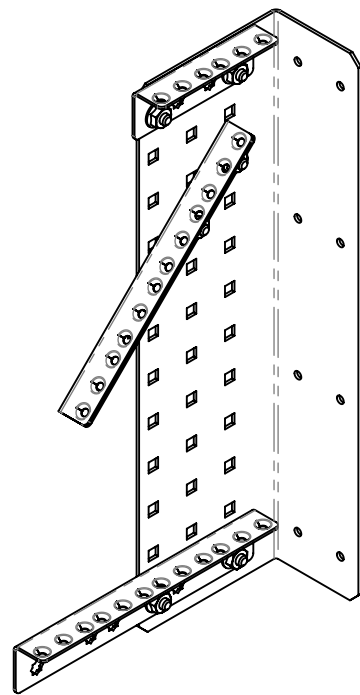
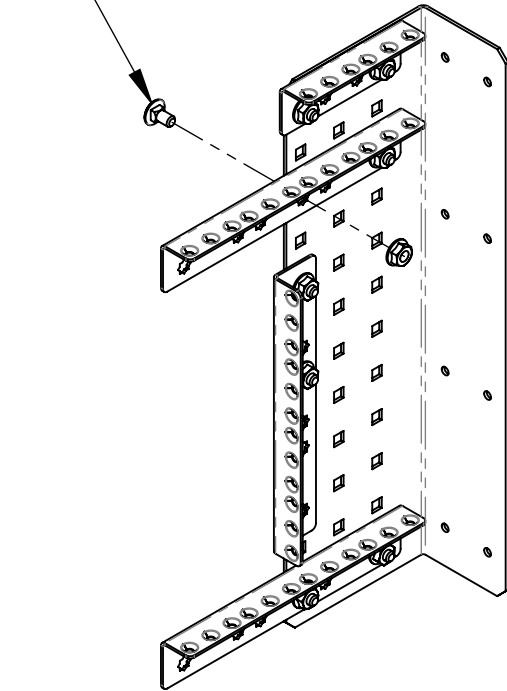
CHATSWORTH PRODUCTS, INC.

800-834-4969 techsupport@chatsworth.com www.chatsworth.com

**THINLINE II
INSTALLATION
INSTRUCTIONS**

THIS DRAWING CONTAINS PROPRIETARY AND CONFIDENTIAL INFORMATION AND IS PROTECTED BY U.S. AND INTERNATIONAL LAW. UNAUTHORIZED REPRODUCTION, DISCLOSURE OR USE OF THE DRAWING OR THE INFORMATION THEREIN IS EXPRESSLY FORBIDDEN EXCEPT AS AGREED TO IN WRITING BY CHATSWORTH PRODUCTS, INC.

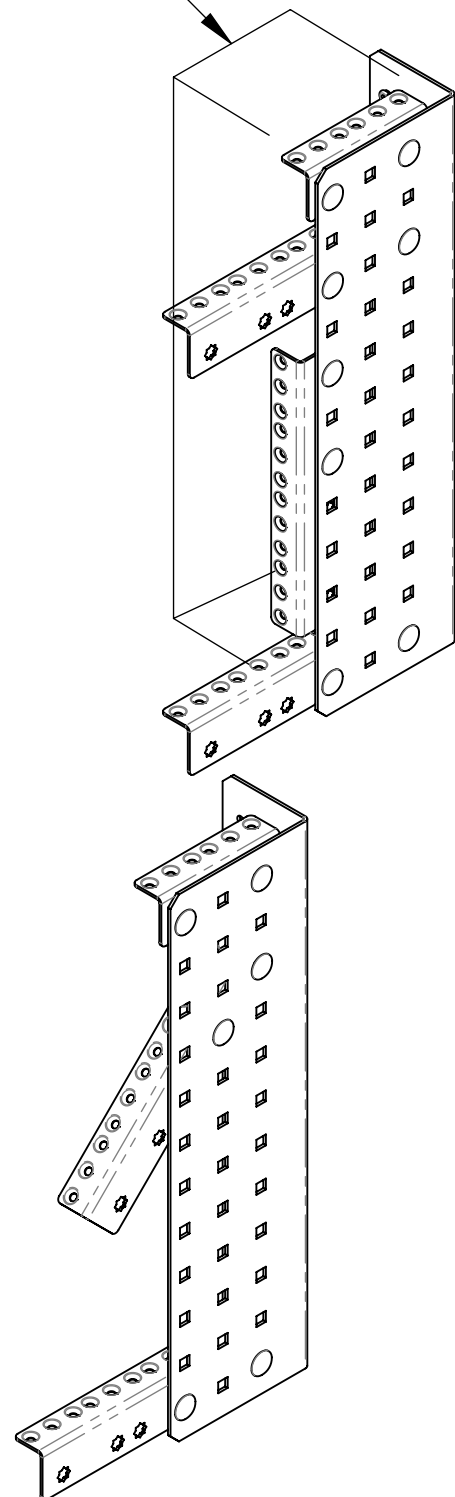
Remove carriage bolts to adjust bracket location or angle



45 Degree rail mounting



HEAVY EQUIPMENT MUST BE MOUNTED IN THE FIRST 2 RMU POSITIONS CLOSEST TO THE REAR OF THE CABINET.



Adjustable rail system

The ThinLine II cabinet includes an adjustable rail system. The RMU mounting rails are attached to the fixed brackets using carriage bolts. To adjust the rail position, simply remove the carriage bolts and rails, and re-install them at the desired location.

45 Degree Configuration

The mounting rails for all ThinLine II models can be rotated 45 degrees. This is accomplished by loosely installing the rear bolt and bracket in the desired position, rotating the RMU rail down to a 45 degree angle, and installing the front carriage bolt in the appropriate aligned hole. Tighten all bolts prior to installing equipment.

Equipment Mounting Instructions :

1. Cabinet load rating based on loading heavy equipment in the first 2 RMU positions closest to the rear of the cabinet. Install heavy equipment as shown to the left.
2. #12-24 Mounting screws are provided with the hardware kit. Install equipment using supplied hardware. Tighten by hand and **do not over tighten.**



CHATSWORTH PRODUCTS, INC.

800-834-4969 techsupport@chatsworth.com www.chatsworth.com

THINLINE II INSTALLATION INSTRUCTIONS

THIS DRAWING CONTAINS PROPRIETARY AND CONFIDENTIAL INFORMATION AND IS PROTECTED BY U.S. AND INTERNATIONAL LAW. UNAUTHORIZED REPRODUCTION, DISCLOSURE OR USE OF THE DRAWING OR THE INFORMATION THEREIN IS EXPRESSLY FORBIDDEN EXCEPT AS AGREED TO IN WRITING BY CHATSWORTH PRODUCTS, INC.