

# Installation Instructions

## PDU Bracket for TeraFrame Cabinets

### Tools Required

- #2 phillips screw driver
- 10mm box-end wrench

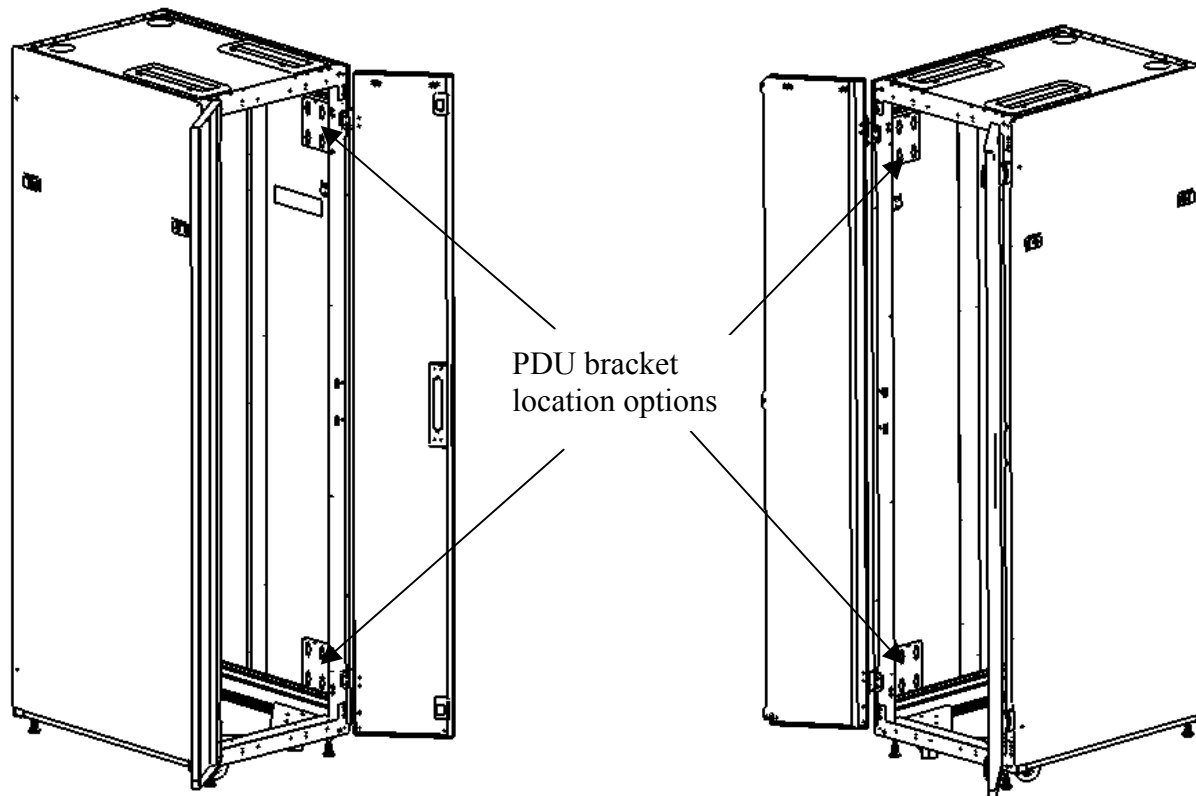
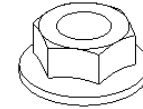
### Assembly Sequence

1. Choose on which side of the cabinet to install the brackets. They may be installed on either side in the rear of the cabinet.

### Included Hardware

4 each  
6 mm x 12  
Pan-Head Screw

4 each  
6 mm  
Flange Nut



CHATSWORTH PRODUCTS, INC.

IIS-713780, 4/20/11, Rev. 1, CPI/JBE  
800-834-4969 (USA & Canada) • [www.chatsworth.com](http://www.chatsworth.com) •  
[techsupport@chatsworth.com](mailto:techsupport@chatsworth.com)

For international phone numbers, see our website or contact CPI Tech Support.

*This drawing contains proprietary and confidential information and is protected by U.S. and international law. Unauthorized reproduction, disclosure or use of the drawing or the information therein is expressly forbidden except as agreed to in writing by Chatsworth Products, Inc.*

# Installation Instructions

## PDU Bracket for TeraFrame Cabinets

### Assembly Sequence continued

2. In some cabinets there are two possible positions in which to install the brackets. Choose position 1 or 2 as indicated.
3. Using the included hardware install the brackets as shown. Tighten the hardware firmly.

