

Installation Instructions

PDU Bracket for MegaFrame/SteelFrame Cabinets

Intended Use

The MegaFrame/T-Cab PDU Bracket is for mounting vertical power distribution units (PDU) in the rear of the MegaFrame and T-Cab cabinets.

Tools Required

- #2 phillips screw driver
- 10mm box-end wrench

Assembly Sequence

Note: The following views are of the MegaFrame cabinet but represent installation for both the MegaFrame and T-Cab cabinets.

1. Choose on which side of the cabinet to install the brackets. They may be installed on either side in the rear of the cabinet.

Included Hardware

4 each
M8 x 12
Hex-Head Screw

4 each
M8
Drop-in T-nut

4 each
M8
Flat washer

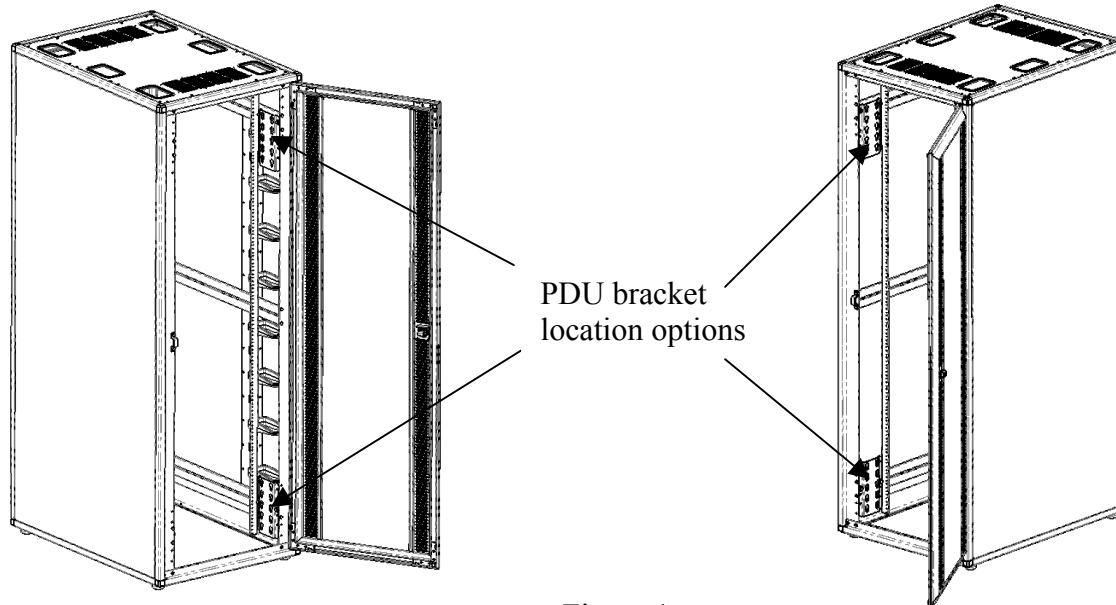
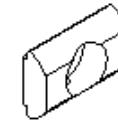


Figure 1



CHATSWORTH PRODUCTS, INC.

IIS-713762, 4/20/11, Rev. 1, CPI/JBE
800-834-4969 (USA & Canada) • www.chatsworth.com •
techsupport@chatsworth.com

For international phone numbers, see our website or contact CPI Tech Support.

This drawing contains proprietary and confidential information and is protected by U.S. and international law. Unauthorized reproduction, disclosure or use of the drawing or the information therein is expressly forbidden except as agreed to in writing by Chatsworth Products, Inc.

Installation Instructions

PDU Bracket for MegaFrame/SteelFrame Cabinets

Assembly Sequence continued

2. Bracket installation:

- a. Place the t-nuts into the channel as shown in the figure.
- b. Note the orientation of the keyholes in the bracket.
- c. Select the appropriate mounting holes in the bracket as detailed in later steps in this instruction.
- d. Use the screws and washers provided to secure the bracket to the t-nuts in the channel.

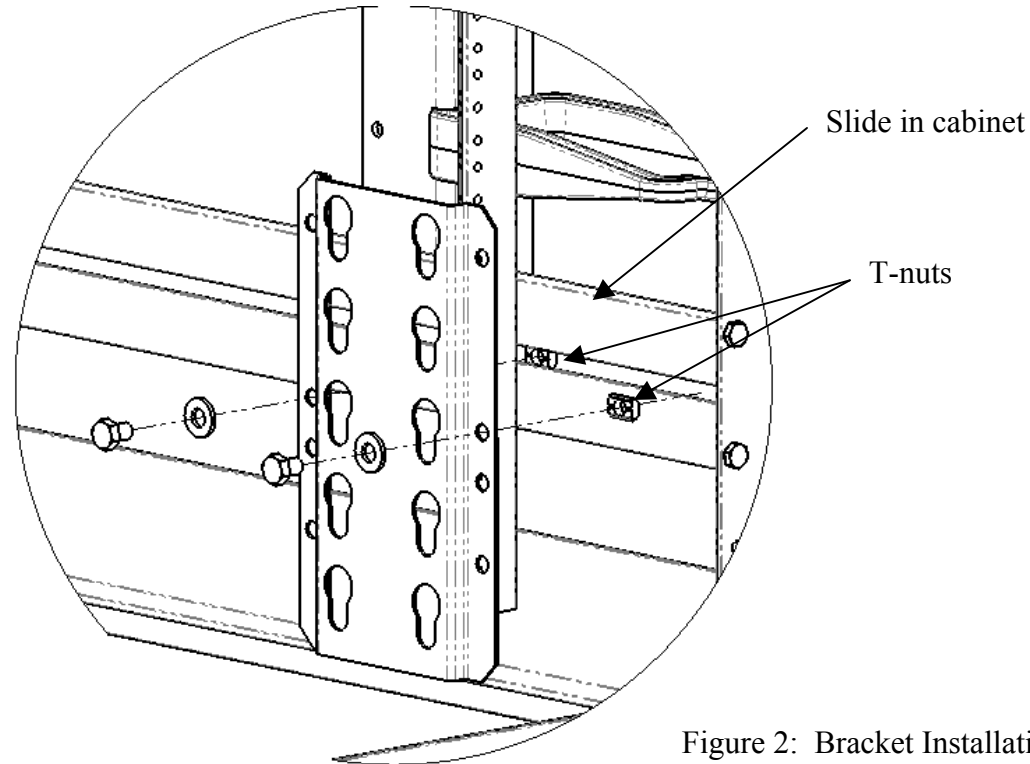


Figure 2: Bracket Installation

Installation Instructions

PDU Bracket for MegaFrame/SteelFrame Cabinets

Assembly sequence continued

3. Install the brackets per the following figures according to the size of cabinet. Note which mounting holes to use on the bracket as indicated. The views are show the brackets on the right side and are applicable to the left side also.
 - a. Bracket locations in a 6.0-ft cabinet:

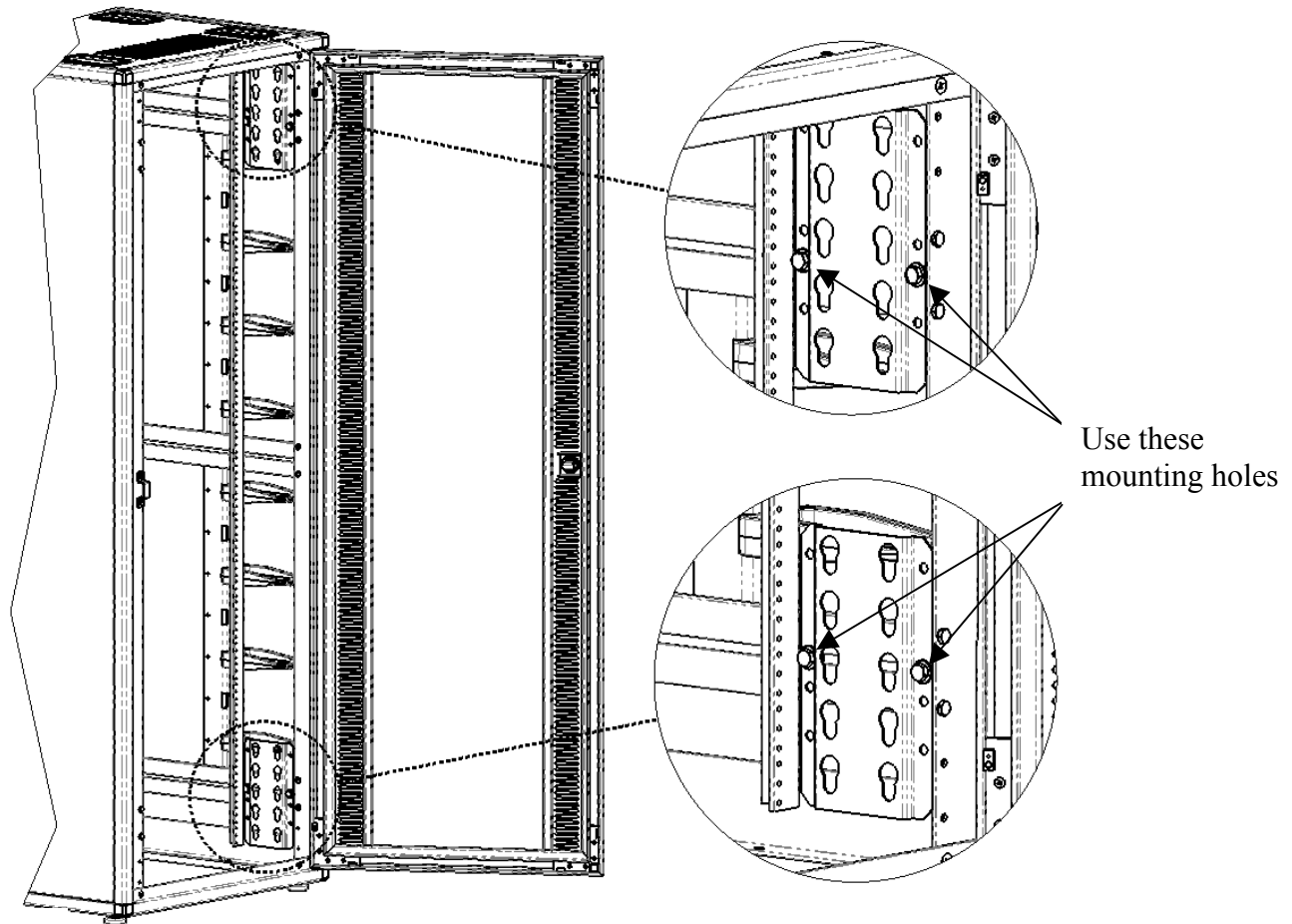


Figure 3: 6.0' cabinet

Installation Instructions

PDU Bracket for MegaFrame/SteelFrame Cabinets

Assembly Sequence continued

- b. Bracket locations in a 6.5-ft cabinet. There are two options for the 6.5-ft cabinet. Test fit the PDU with the two options below to determine which one to use.

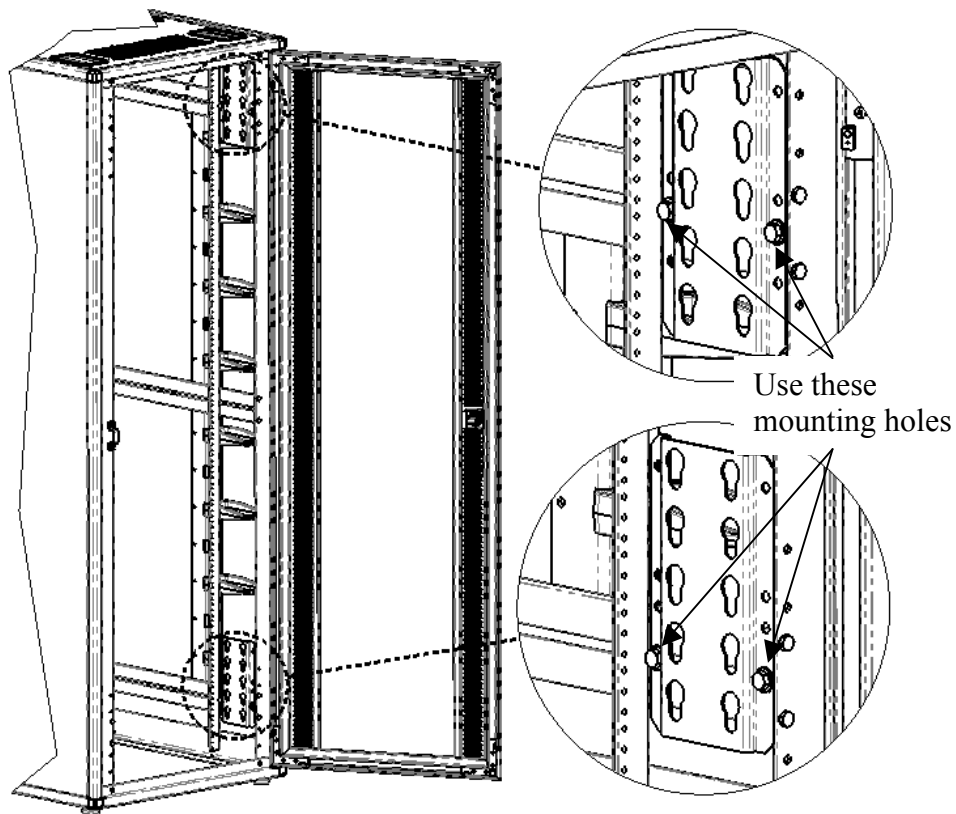


Figure 4: 6.5' cabinet, option 1

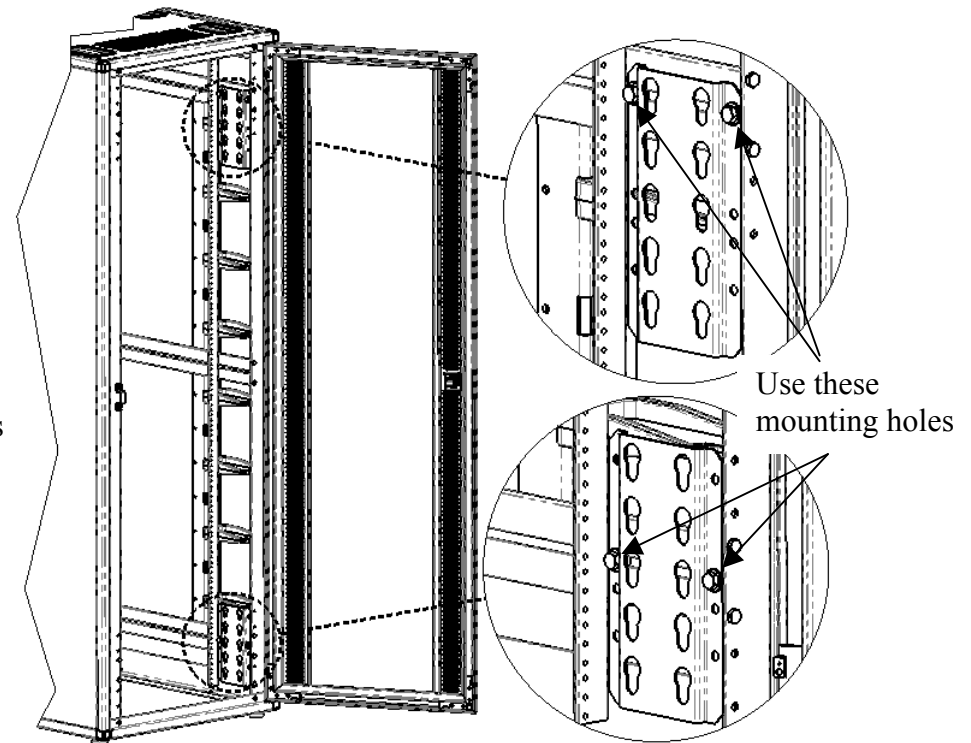


Figure 5: 6.5' cabinet, option 2

Installation Instructions

PDU Bracket for MegaFrame/SteelFrame Cabinets

Assembly Sequence continued

- c. Bracket location for a 7.0-ft cabinet:

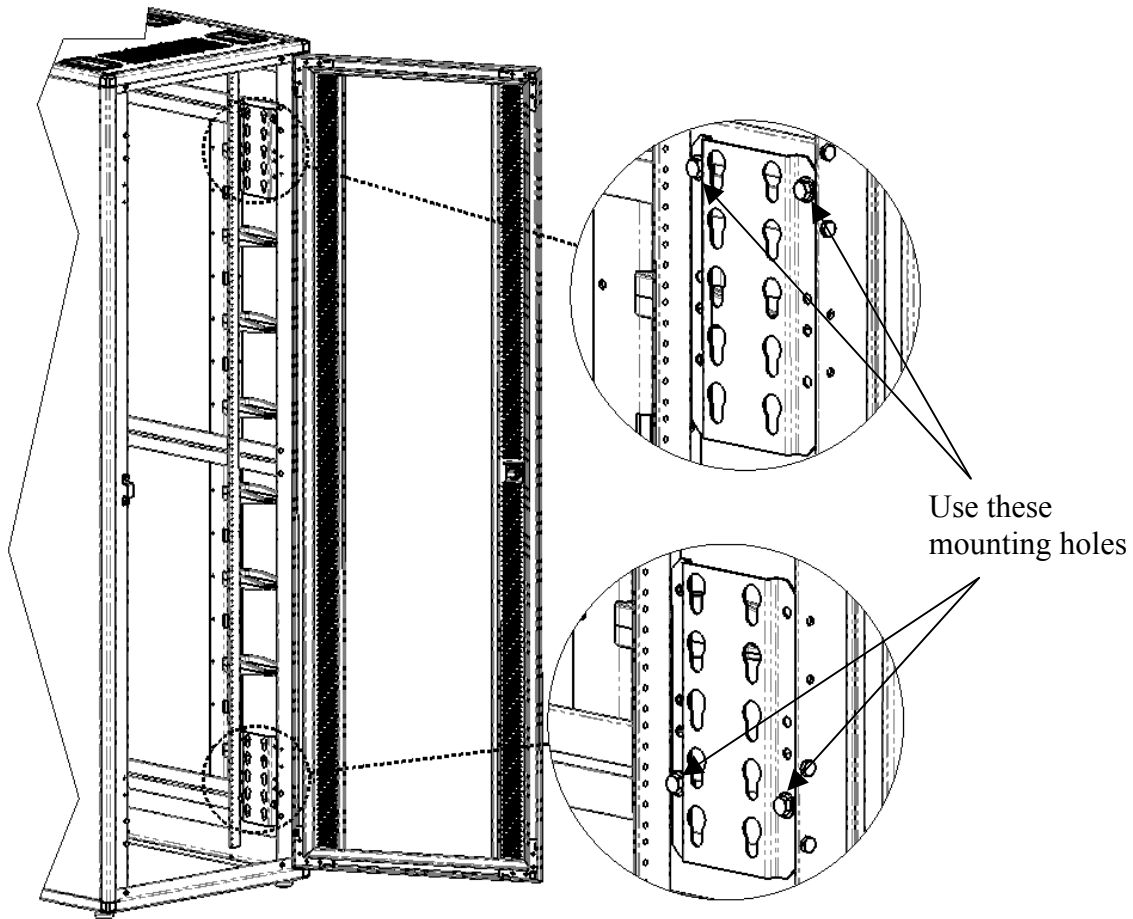


Figure 5: 6.5' cabinet, option 2