

Product Information Sheet

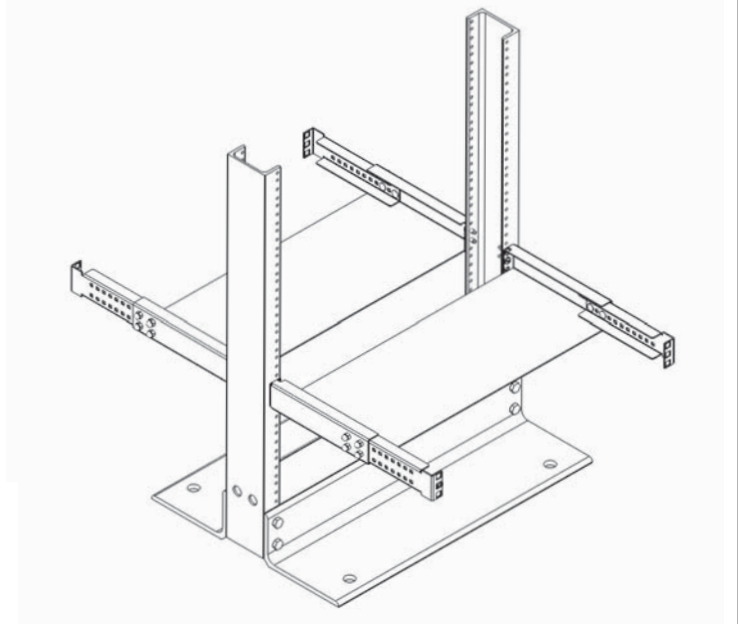
ANYSERVER BRACKET

The anyServer Bracket is a simple, yet sturdy solution to secure virtually any server to a 19"-wide, two-post open rack. It is the ideal, cost-effective system for retrofitting existing racks to accommodate one or more servers instead of reverting to a four-post rack or cabinet system. The anyServer Bracket can be adjusted to fit all of your server's requirements enabling you to keep the same mounting system — even if you change equipment in the future.

Purchase optional supplementary server support arms to firmly secure the tops of tall servers to the rack. In some instances, they can also help you mount your server if its captive screw holes are in the middle or top of the device.

The anyServer Bracket comes with front and rear steel pans and four steel adjustable arms (with mounting hardware).

- Manufactured from cold rolled steel
- Adjustable mounting arms can be moved by up to four inches total in half-inch increments to adapt to your server's depth
- Server can be positioned 9" to 13" in front of rack channel. Arms extend 9" to 13" deep
- Square holes at the front of adjustable mounting arms fit any server's cage nuts
- Acorn nuts eliminate sharp edges
- Supplementary arms (purchased separately) provide extra support
- Load rating:
 - 1 RMU bracket is 80 lb
 - 2 RMU bracket is 120 lb
- Rack mounting hardware is not included



A split-pan design provides a broader surface area to support server weight

Part Number	Description	Shipping Weight
12751-719	19"W x 1 RMU, Black Bracket	11 lb
12752-719	19"W x 2 RMU, Black Bracket	14 lb
12759-701	Supplementary Server Support Arms, Fixed, 1 Pair, 1 RMU, Black	3 lb

Square-Punched Hardware Kits (sold separately)				
Part Number	Nominal Size	Package Of	Finish	Shipping Weight
12637-001	M-6	25	Gold Over Zinc	1 lb
12638-001	10-32	25	Zinc	1 lb
12639-001	12-24	25	Black	1 lb

800-834-4969 in U.S. & Canada • www.chatsworth.com



CHATSWORTH PRODUCTS, INC.

©2003 Chatsworth Products, Inc. Rev. 09/06 (NB)