

1. For safety, please insure that the rack you are using will handle the full weight load of all equipment you plan to mount onto it.
2. Use a screwdriver that has at least an 8-inch blade and a slip-proof grip. Determine the mounting location and pre-set the screws into the mounting holes. This will make it much easier to mount the bracket. Remove the screws and mount the bracket into the same mounting holes.

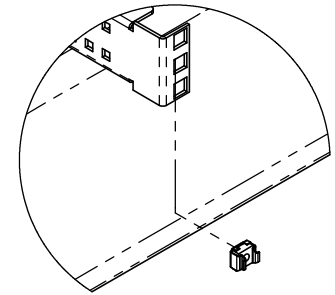
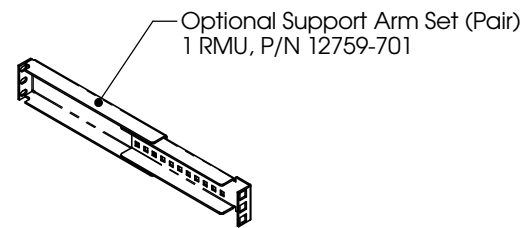
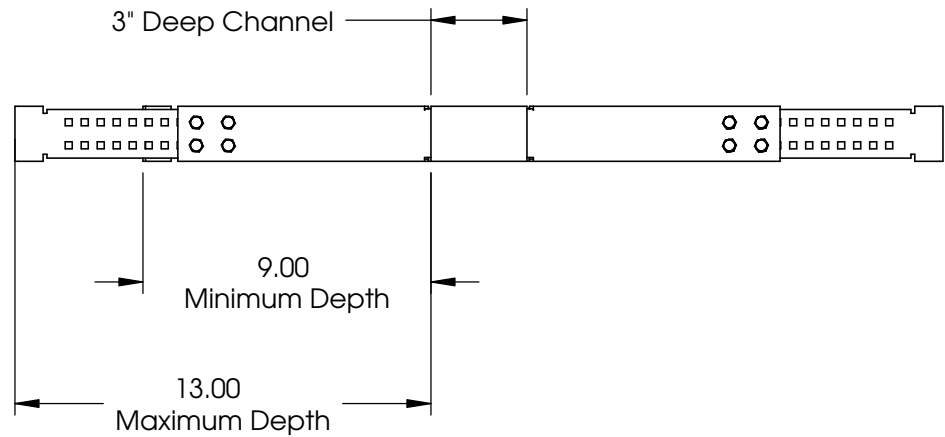
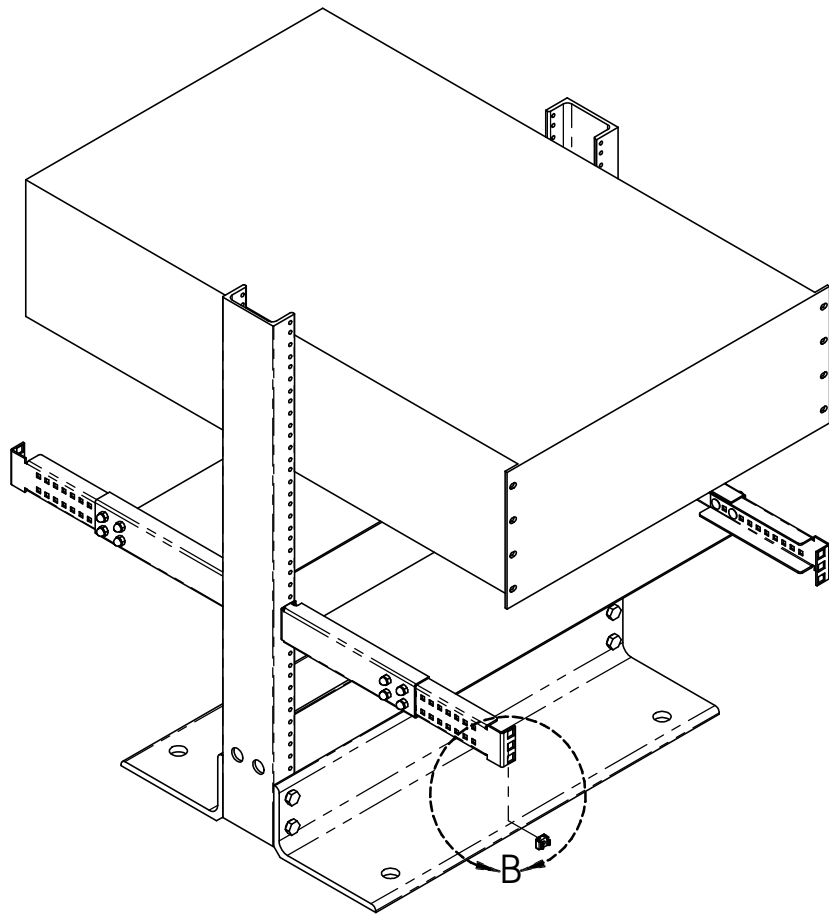
Note: The 1-RMU Server Bracket (p/n 12751-719) is ideal for mounting smaller servers (weighing up to 80 pounds). To support heavier servers, or those greater than 1-RMU in height, we suggest using the 2-RMU Server Bracket (p/n 12752-719).

3. Fasten one bracket to the rack using the included rack screws. Align and fasten the second bracket to the opposite side of the rack.

CPI CHATSWORTH PRODUCTS, INC.

INSTALLATION INSTRUCTIONS
FIXED SERVER FRAME

THIS DRAWING CONTAINS INFORMATION PROPRIETARY TO CHATSWORTH PRODUCTS, INC. ANY REPRODUCTION DISCLOSURE OR USE OF THIS DRAWING IS EXPRESSLY FORBIDDEN EXCEPT AS AGREED TO IN WRITING BY CHATSWORTH PRODUCTS, INC.



DETAIL B

4. Attach the adjustable arms (Detail A). The arms can be adjusted up to 4 inches in $\frac{1}{2}$ inch increments (9 inches to 13 inches). For example, to mount a 29 inch deep server on a rack with 3 inch channel, adjust the arms to the full 13 inches.
5. Attach the cage nuts (Detail B) to the end of the bracket. CPI does not supply the cage nuts due to the wide variety of styles used by the different manufacturers. Verify that the captive screws on the server's front panel match the position of the cage nuts.
6. Should the server require additional mounting security, CPI provides an Optional Support Arm Set (p/n 12759-701). This product provides an additional set of arms that can be used to secure the top of the front panel on larger servers.

We want to thank you for purchasing CPI products. Quality and value are designed into each of our products. If you have any issues with our products, please call us at 800-834-4969 and share your thoughts with us.