

Technical Specs:	
Input Ratings	
Nominal Voltage (VAC)	100-240VAC, Single Phase, 50/60 Hz
Input Plug / Cord	C20 Inlet
Current Rating	16A (Outside N. America)/ 20A (North America)
Power Rating (kW)	1.9 (120V); 3.3 (208V); 3.6(230V)
Output Ratings	
Nominal Voltage (VAC)	100-240VAC, 50/60 Hz
Current Rating	16A Total
Outlet Rating	C13: 12A max, C19: 16A max
Max Current per Breaker	16A Max
Outlet Combination	
Load Segment	CB1: (24) C-13, (6) C19
PDU Total	(24) C13, (6) C19
Branch Circuit Protection	(1) 2-pole 16A UL489 Breaker
Surge Suppression	None

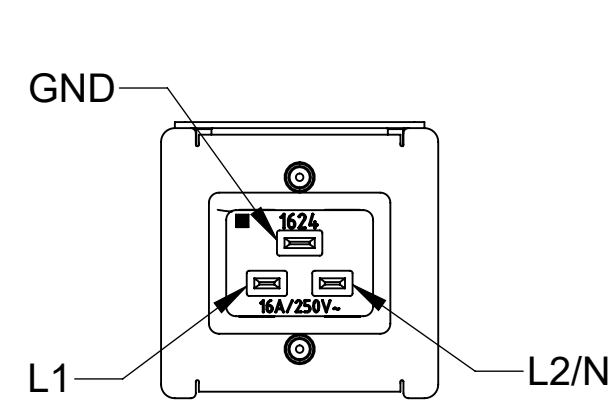
Features:	
Cord Retention	Tethers included (see detail)
Mounting System	Multiple tool-less mounting button locations, A and B (see detail)

Dimensions & Weights:	
Width (In[mm])	2.2 [55]
Height (In[mm])	70.5 [1791]
Depth (In[mm])	2.2 [55]
Weight (lbs[kg])	18 [8.2]

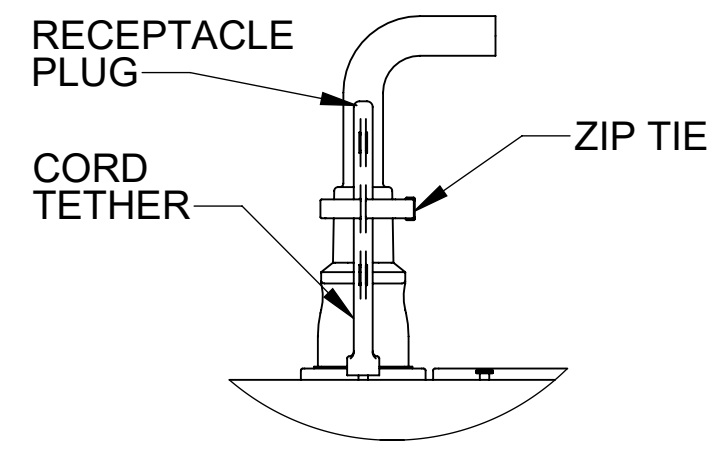
Regulatory Information:	
UL & cUL Listed, IEC 60950-1, CSA C22.2, CE, NOM, RoHS, FCC Part 15 Class A, EN 55022	

Environmental Conditions:	
Operating Temperature	32 - 149F (0 - 65C)
Operating Rel Humidity	5 - 95%
Operating Elevation	0-10000 ft (0-3000 m)
Storage Temperature	-13 - 149F (-25 - 65C)
Storage Rel Humidity	5 - 95%
Storage Elevation	0-50000ft (0-15000 m)

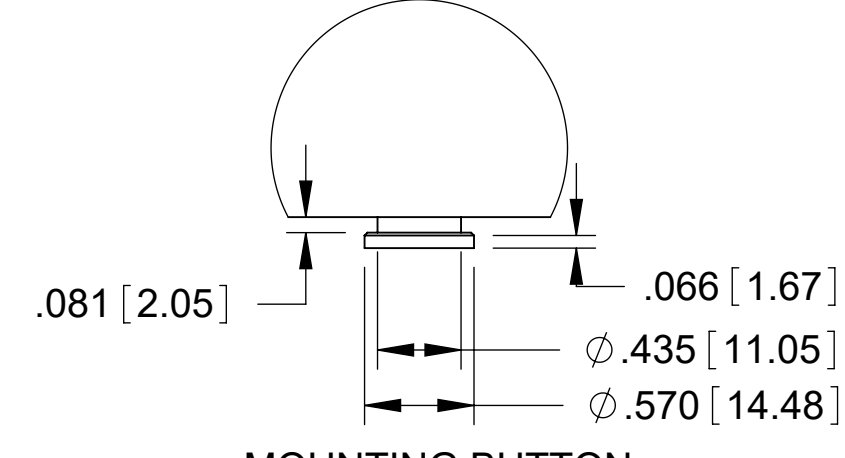
Hardware Included:	
Cord retention tethers (2) tool less mounting buttons (1) ground kit cable	



INPUT CONNECTOR DETAIL  
IEC C-20 INLET  
16A / 3COND

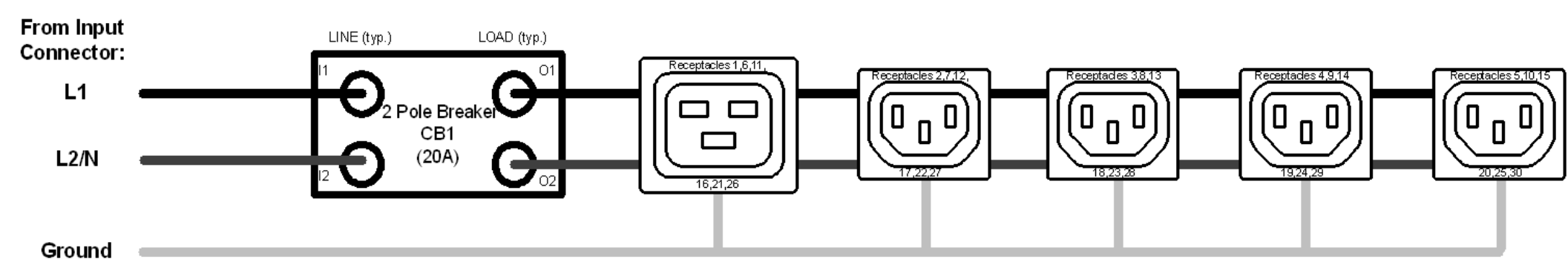


CORD TETHER DETAIL



MOUNTING BUTTON DETAIL

### SIMPLIFIED WIRING SCHEMATIC



- Notes:
- 1 All Dimension are in inches [millimeters] unless otherwise specified
  - 2 Installation must conform with all related national and local codes
  - 3 All Bracket kits are sold separately. Toolless mounting buttons are included for installation in CPI cabinets.
  - 4 For more information, please contact Tech Support at [techsupport@chatsworth.com](mailto:techsupport@chatsworth.com)

©2017 Chatsworth Products, Inc.  
All rights reserved.



All products quoted are subject to availability based on manufacturing capacity and shipping dates should be considered estimates only.

eConnect Vertical (0U) PDU, Basic, C20 Inlet, Single Phase, 100-240V Input, 16A, (24) C13 (6) C19 Outlets, 100-240V Output

While every effort has been made to ensure the accuracy of all information, CPI does not accept liability for any errors or omissions and reserves the right to change information and descriptions of listed services and products.

THIRD ANGLE	<b>P1-1A1E3</b>	ISS
	SHEET 1 OF 1	<b>1</b>