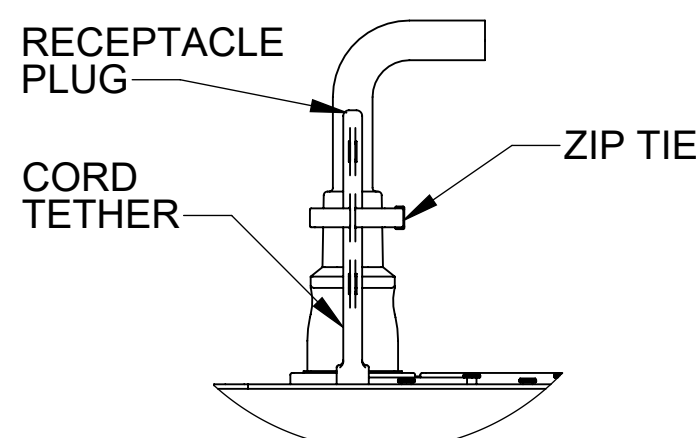
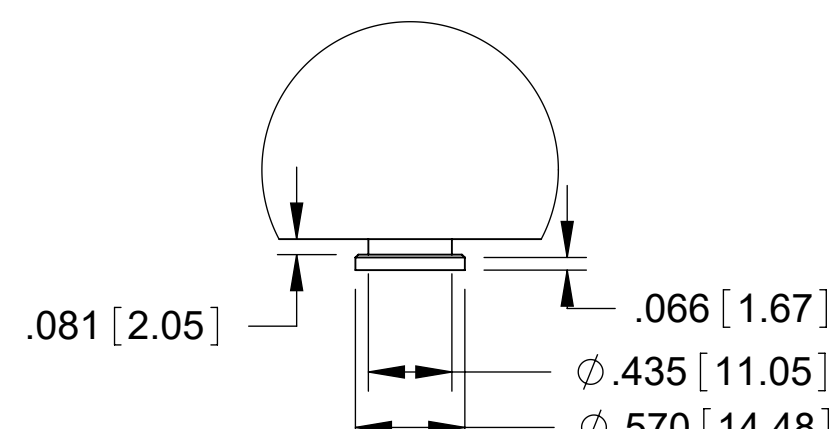


INPUT PLUG DETAIL
IEC 32A 2P+E
32A / 3COND



CORD TETHER
DETAIL



MOUNTING BUTTON
DETAIL

SIMPLIFIED WIRING SCHEMATIC

