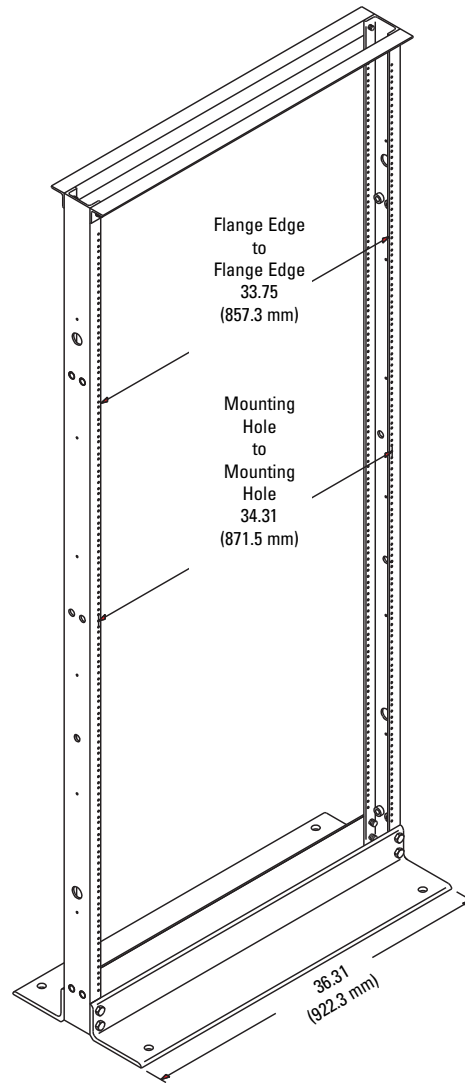


Product Cut Sheet

35" x 3" UNIVERSAL SELF-SUPPORT RACK

Similar to our Universal equipment racks except industry standard 35" frame width.

- High strength aluminum construction
- Supplied with two top angles for maximum strength
- Universal 5/8"-5/8"-1/2" alternating hole pattern offers greater mounting flexibility and is fully compatible with conventional EIA 1 1/4"-1/2" alternating hole patterns
- Four web channel holes per side allow easy installation of vertical cable managers or multiple racks to be firmly mounted together side by side
- Integrated masked grounding studs on the inside of the rack channel for quick attachment to the Telecommunications Grounding System.
- High strength roll-formed threaded mounting holes
- Includes 50 pilot point #12-24 mounting screws with combination Phillips/Straight heads
- Ships unassembled. Individually packaged with assembly and installation instructions included Bulk packaging (25 racks per pallet) is also available



Top Bar or Angles	
463	Two Top Angles
467	Two Top Angles, Flush Bolted

Width	
6	35"W, EIA Channel

Mounting Holes	
3	Mounting Holes Both Sides

Color	
1	Gray
2	Computer White
5	Clear
7	Black

Height	
01	6' (1.8 m)
03	7' (2.1 m)

46X 6 3 - X 0X

Note: No accessory shelves are available for this rack.

800-834-4969 in U.S. & Canada • www.chatsworth.com



CHATSWORTH PRODUCTS, INC.

©2012 Chatsworth Products, Inc. All rights reserved. CPI, CPI Passive Cooling, MegaFrame, Saf-T-Grip, Seismic Frame, SlimFrame, TeraFrame, GlobalFrame, Cube-iT Plus, Evolution, OnTrac, QuadraRack and Velocity are federally registered trademarks of Chatsworth Products, Inc. eConnect and Simply Efficient are trademarks of Chatsworth Products, Inc. All other trademarks belong to their respective companies. Rev.3 09/12