



EASE
 EQUIPMENT ANCHORAGE & SEISMIC ENGINEERING
 5877 Pine Ave. Suite 210
 Chino Hills, CA 91709
 Phn: (909) 606-7667 Fax: (866) 801-4975

Office of Statewide Health Planning and Development
 ANCHORAGE PRE-APPROVAL

OPA-0670-10

THIS PRE- APPROVAL CONFORMS TO THE 2010 CALIFORNIA BUILDING CODE

Equipment Manufacturer: Chatsworth Products, Inc.

Equipment Type: Wall Mounted Cabinets

GENERAL NOTES

1. FORCES PER ASCE 7-05 SECTION 13.3.1, EQUATIONS 13.3-1, 13.3-2 & 13.3-3, WHERE $S_{ds} = 2.0$, $a_p = 2.5$, $I_p = 1.5$ & $R_p = 6.0$, $z/h \leq 1.0$
2. THIS PRE-APPROVAL CONFORMS TO THE 2010 CALIFORNIA BUILDING CODE.
3. THE DETAILS IN THIS PRE-APPROVAL MAY BE USED AT ANY LOCATION IN THE STATE OF CALIFORNIA, WHERE SDS IS NOT GREATER THAN 2.0.
4. ALL ANCHOR FORCES SHOWN ON THE DRAWINGS ARE FACTORED LOADS THAT SHALL BE USED FOR STRENGTH DESIGN.
5. SHEET METAL SCREWS SHALL BE TEKS SCREWS BY ITW BUILDEX (ICC ESR-1976).
6. THIS PRE-APPROVAL COVERS ONLY THE ANCHORAGE OF THE UNIT TO THE HOSPITAL BUILDING'S STRUCTURE

RESPONSIBILITIES OF THE STRUCTURAL ENGINEER OF RECORD OF THE BUILDING

7. DESIGN BACKING BARS, STUDS, ETC. WHICH THE UNITS ARE ATTACHED TO AS NOTED ON THE DRAWINGS.
 THE SEOR SHALL ALSO VERIFY THE ADEQUACY OF THE STRUCTURES (SUCH AS WALLS AND FLOORS) WHICH SUPPORT THE UNITS FOR THE LOADS IMPOSED ON THEM BY THE UNITS AS WELL AS ALL OTHER LOADS.
8. PROVIDE SUPPORTING STRUCTURE REQUIRED TO SUPPORT WEIGHTS AND FORCES SHOWN, IN ADDITION TO ALL OTHER LOADS.
9. VERIFY THAT THE INSTALLATION IS IN CONFORMANCE WITH THE 2010 CBC AND WITH THE DETAILS SHOWN IN THIS PRE-APPROVAL.
 VERIFY THAT THE ACTUAL EQUIPMENT'S WEIGHT, CG LOCATION, ANCHOR LOCATIONS, ANCHOR DETAILS AND THE MATERIAL AND GAGE OF THE UNIT WHERE ATTACHMENTS ARE MADE AGREE WITH THE INFORMATION SHOWN ON THE PRE-APPROVAL DOCUMENTS.
10. VERIFY THAT THE COMBINATION OF S_{ds} & z/h RESULT IN SEISMIC FORCES (E_h , E_v) THAT ARE NOT GREATER THAN THE VALUES ON THE DETAILS.



CHATSWORTH PRODUCTS, INC.

WALL MOUNTED CABINETS

DES. **J. ROBERSON**

JOB NO. **11-1131**

DATE **7/23/12**

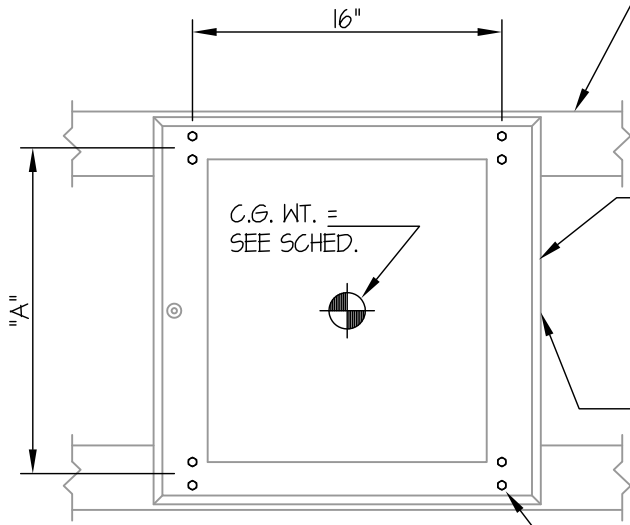
SHEET

2

OF **3** SHEETS

SEISMIC ANCHORAGE

WALL MOUNTED



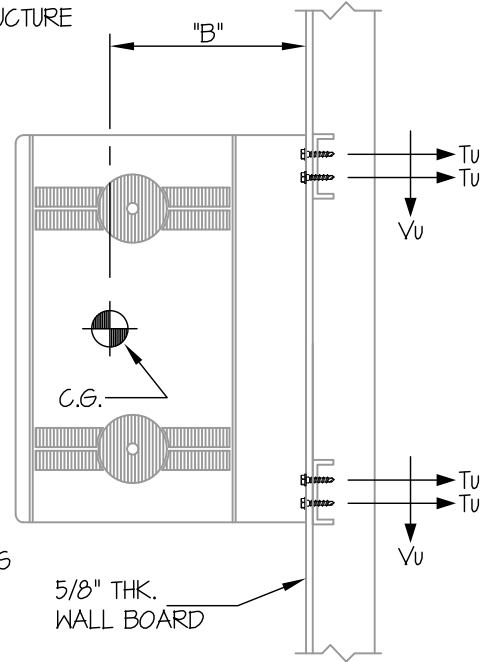
FRONT ELEVATION

STRUCTURAL ENGINEER OF RECORD SHALL DESIGN THE BACKING PLATE AND WALL STRUCTURE (16 GA. 50 ksi MIN.)

BACKING OF THE UNIT MUST BE AT LEAST 16 GAUGE, 50 KSI

UNIT BACKING IS 14 GA., 50 ksi (MIN)

USE 8- #12 TEK SCREWS TO BACKING PLATE OR DIRECTLY TO STEEL STUDS



STEEL STUD WALL SECTION

$T_u = 187$ LB/SCREW (MAX)

$V_u = 134$ LB/SCREW (MAX)

SEE PAGE 2 OF 2 FOR WEIGHT AND DIMENSIONS

NOTES:

1. ANCHORAGE DESIGN PER 2010 CALIFORNIA BUILDING CODE AND ASCE 7-05. STRENGTH DESIGN IS USED.

HORIZONTAL FORCE (E_h) = $150 W_p$ ($S_{Ds} = 2.00$, $a_p = 2.5$, $I_p = 1.5$, $R_p = 6.0$, $z/h = 0.0$)

VERTICAL FORCE (E_v) = $0.40 W_p$

2. CENTER OF GRAVITY (C.G.) WEIGHT IS A MAXIMUM. THIS PRE-APPROVAL ENCOMPASSES ALL WEIGHTS UP TO THE MAXIMUM WEIGHT SHOWN.
3. STRUCTURAL ENGINEER OF RECORD FOR THE BUILDING SHALL PROVIDE SUPPORT STRUCTURE DESIGNED TO SUPPORT WEIGHTS AND FORCES SHOWN, IN ADDITION TO ALL OTHER LOADS.
4. SEE GENERAL NOTES: SHEET 1.



CHATSWORTH PRODUCTS, INC.

WALL MOUNTED CABINETS

DES. **J. ROBERSON**

JOB NO. **11-1131**

DATE **7/23/12**

SHEET

3

OF **3** SHEETS

SEISMIC ANCHORAGE

WALL MOUNTED

MODEL NO.	"A" (in)	"B" (in)	WEIGHT (lbs)
11890-X24	22"	9"	266
11840-X24	22"	12"	275
11996-X24	22"	15"	286
11890-X36	34"	9"	295
11840-X36	34"	12"	307
11996-X36	34"	15"	320
11890-X48	46"	9"	317
11840-X48	46"	12"	331
11996-X48	46"	15"	347



Reviewed By: Anthony R. Pike

7/23/12