



EASE
EQUIPMENT ANCHORAGE & SEISMIC ENGINEERING
 2801 Connery Way, Suite B
 Missoula, MT 59808
 Phn: (406) 541-EASE (3273) Fax: (406) 541-3274

Office of Statewide Health Planning and Development
ANCHORAGE PRE-APPROVAL

OPA-1812-07

Equipment Manufacturer: Chatsworth Products, Inc.

Equipment Type: Universal Cable Runway

GENERAL NOTES

1. FORCES PER ASCE 7-05 SECTION 13.3.1, EQUATIONS 13.3-1, 13.3-2 & 13.3-3, WHERE $S_Ds = 1.93$, $a_p = 1.0$, $I_p = 1.5$ & $R_p = 2.5$
2. THIS PRE-APPROVAL CONFORMS TO THE 2007 CALIFORNIA BUILDING CODE.
3. THE DETAILS IN THIS PRE-APPROVAL MAY BE USED AT ANY LOCATION IN THE STATE OF CALIFORNIA.
4. ALL ANCHOR FORCES SHOWN ON THE DRAWINGS ARE WORKING LOADS (AS OPPOSED TO STRENGTH LEVEL LOADS) AND MAY BE USED FOR ALLOWABLE STRESS DESIGN.
5. SHEET METAL SCREWS SHALL BE TEKS SCREWS BY ITW BUILDEX (ICC ESR-1976).
6. THIS PRE-APPROVAL COVERS THE ANCHORAGE OF THE UNIT ONLY.

RESPONSIBILITIES OF THE STRUCTURAL ENGINEER OF RECORD

7. DESIGN BACKING BARS, STUDS, ETC. WHICH THE UNITS ARE ATTACHED TO AS NOTED ON THE DRAWINGS. THE SEOR SHALL ALSO VERIFY THE ADEQUACY OF THE STRUCTURES (SUCH AS WALLS AND FLOORS) WHICH SUPPORT THE UNITS FOR THE LOADS IMPOSED ON THEM BY THE UNITS AS WELL AS ALL OTHER LOADS.
8. PROVIDE ANY SUPPORTING STRUCTURE REQUIRED TO SUPPORT WEIGHTS AND FORCES SHOWN, IN ADDITION TO ALL OTHER LOADS.
9. VERIFY THAT THE INSTALLATION IS IN CONFORMANCE WITH THE 2007 CBC AND WITH THE DETAILS SHOWN IN THIS PRE-APPROVAL. VERIFY THAT THE ACTUAL EQUIPMENT'S WEIGHT, CG LOCATION, ANCHOR LOCATIONS, ANCHOR DETAILS AND THE MATERIAL AND GAGE OF THE UNIT WHERE ATTACHMENTS ARE MADE AGREE WITH THE INFORMATION SHOWN ON THE PRE-APPROVAL DOCUMENTS.



CHATSWORTH PRODUCTS, INC.

UNIVERSAL CABLE RUNWAY

DES. **R. LA BRIE**

JOB NO. **11-0816**

DATE **6/3/10**

SHEET

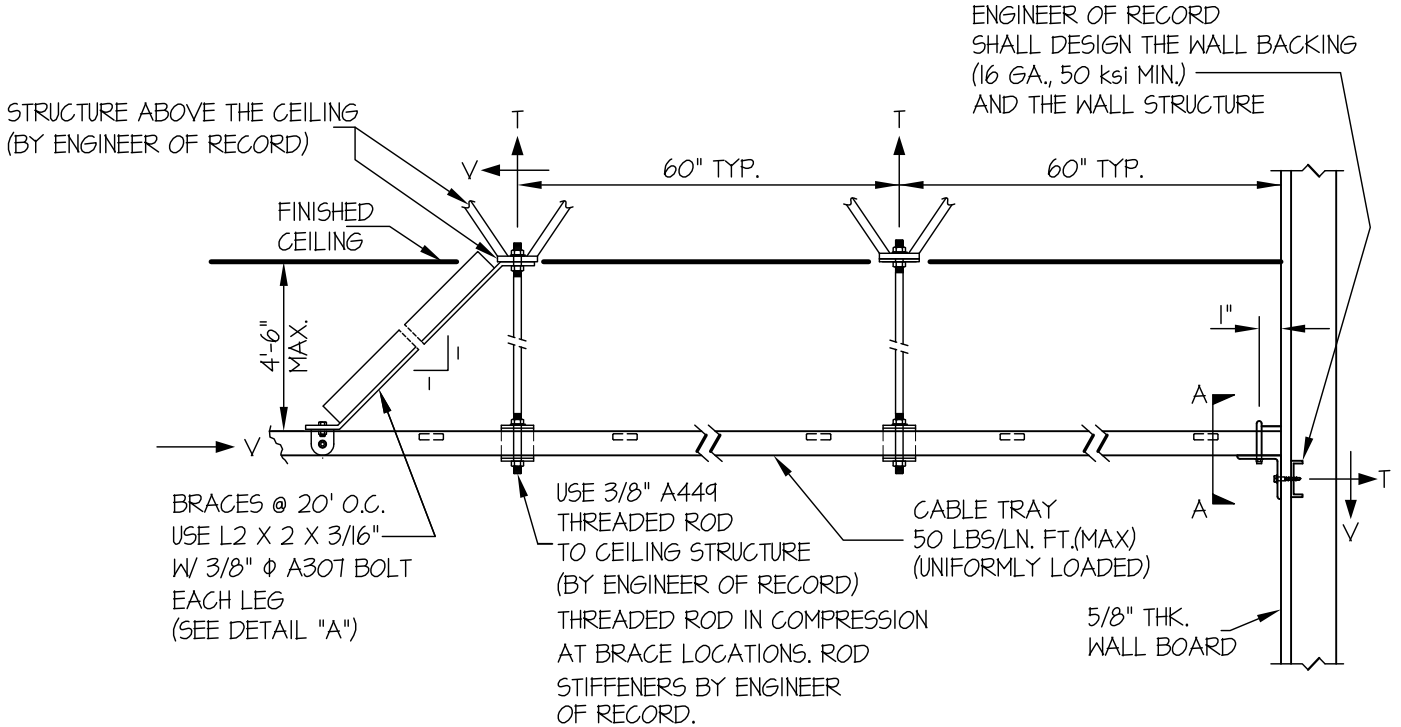
2

OF **4** SHEETS

SEISMIC ANCHORAGE

OSHPD-10250 CABLE RUNWAY .PDF

CEILING MOUNTED



ELEVATION

AT THREADED ROD
T_{ROD} = 645 LBS/ROD

AT WALL BRACKET
T_{WALL} = 176 LBS/SCREW
V_{WALL} = 140 LBS/SCREW

AT BRACING (BY OTHERS)
v = 486 LBS/BRACE

NOTES:

1. ANCHORAGE DESIGN PER 2007 CALIFORNIA BUILDING CODE - SECTION 1613A AND ASCE 7-05 SECTIONS 12 AND 13. ALLOWABLE STRESS DESIGN IS USED.

HORIZONTAL FORCE (E_h) = 0.97 W_p (S_{bs} = 1.93, a_p = 1.0, I_p = 15, R_p = 2.5)
VERTICAL FORCE (E_v) = 0.27 W_p

2. CENTER OF GRAVITY (C.G.) WEIGHT IS A MAXIMUM. THIS PRE-APPROVAL ENCOMPASSES ALL WEIGHTS UP TO THE MAXIMUM WEIGHT SHOWN.

3. ENGINEER OF RECORD FOR THE BUILDING SHALL PROVIDE SUPPORT STRUCTURE DESIGNED TO SUPPORT WEIGHTS AND FORCES SHOWN, IN ADDITION TO ALL OTHER LOADS.

4. SEE GENERAL NOTES: SHEET 1.



CHATSWORTH PRODUCTS, INC.

UNIVERSAL CABLE RUNWAY

DES. **R. LA BRIE**

JOB NO. **11-0816**

DATE **6/3/10**

SHEET

3

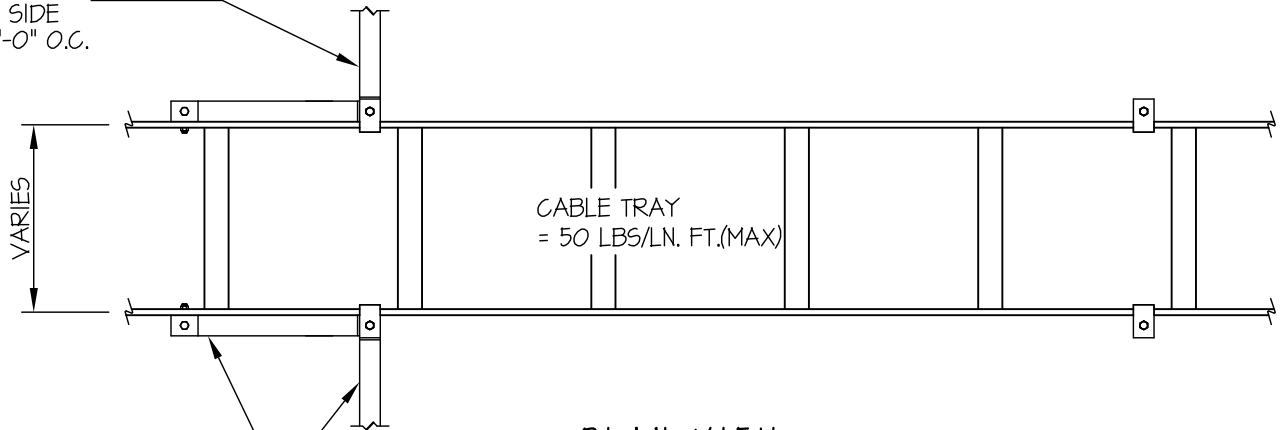
OF **4** SHEETS

SEISMIC ANCHORAGE

OSHPD-10250 CABLE RUNWAY .PDF

CEILING MOUNTED

TRANSVERSE BRACE
EACH SIDE
@ 20'-0" O.C.

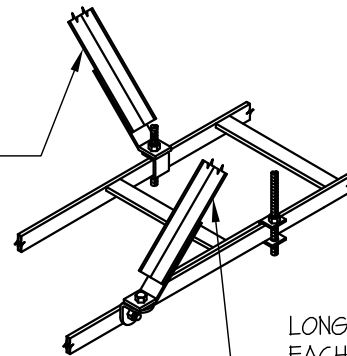


CABLE TRAY
= 50 LBS/LN. FT.(MAX)

BRACES @ 20' O.C.
USE L2 X 2 X 3/16"
(SEE DETAIL "A")

PLAN VIEW

TRANSVERSE BRACE
EACH SIDE
@ 20'-0" O.C.



LONGITUDINAL BRACE
EACH SIDE
@ 20'-0" O.C.

NOTE: NOT ALL BRACES ARE SHOWN FOR CLARITY. FOR COMPLETE BRACING LAYOUT, SEE ELEVATION AND PLAN VIEW.

DETAIL "A"



A P P R O V E D
Fixed Equipment Anchorage
Office of Statewide Health Planning and Development

OPA-1812-07

Pre-approval Program Manager:
Anthony R. Pike
(916) 440-8470



Reviewed By: *Jerry Yee* 6/3/10

CHATSWORTH PRODUCTS, INC.

UNIVERSAL CABLE RUNWAY

DES. **R. LA BRIE**

JOB NO. **11-0816**

DATE **6/3/10**

SHEET

4

OF **4** SHEETS

SEISMIC ANCHORAGE

OSHPD-10250 CABLE RUNWAY .PDF

CEILING MOUNTED

