

# Installation Instructions

## 2-PIECE TOP PANEL

### Included Hardware:

M6 X 10mm Hex Screw, 2 ea.

M6 Drop-In-Nut, 2 ea.

### Tools Required:

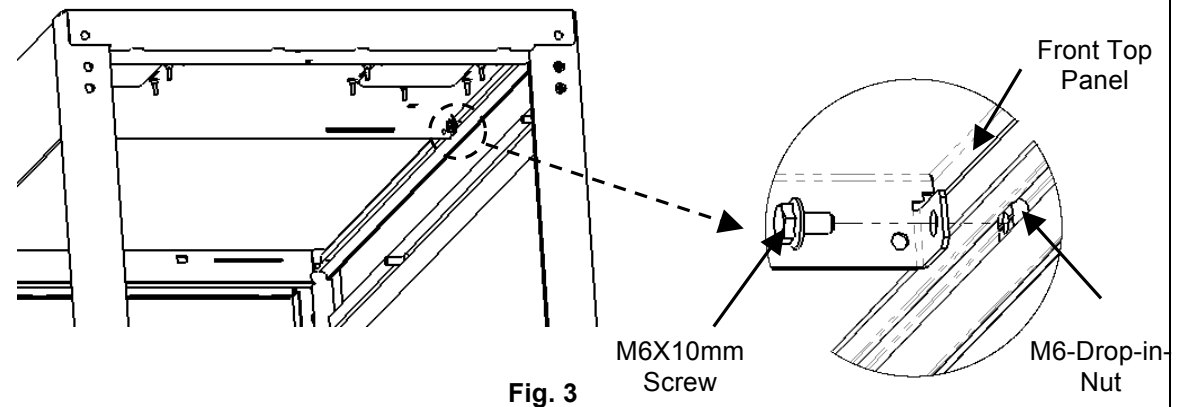
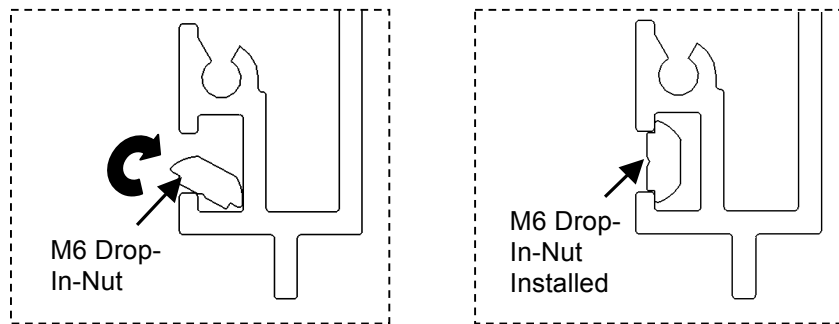
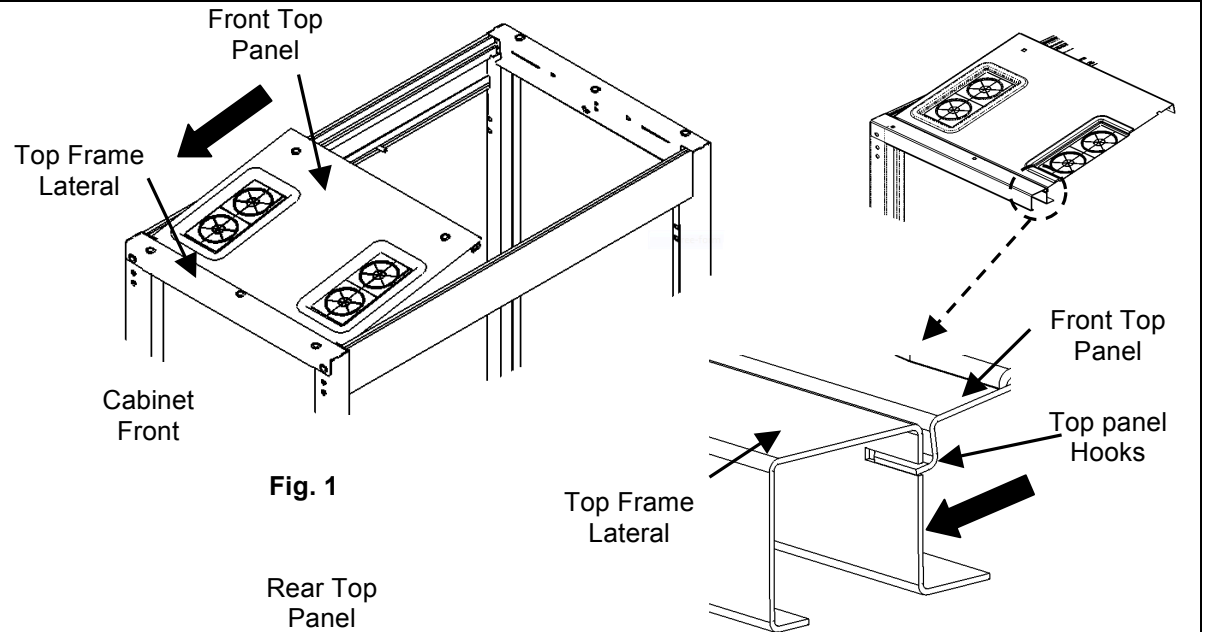
10 mm socket wrench

### Assembly Notes:

1. Top Panel has Front Top panel and Rear Top Panel, Front Top panel is installed with hardware. Rear Top Panel is installed by snap pins with frame lateral.

### Installation Instructions:

1. Position the Front Top Panel onto the top of the Cabinet In an inclined position (Fig. 1)
2. Slide the Front Top Panel hooks into the top frame lateral slots on the cabinet frame (Fig.1).
3. Insert M6 Drop-In-Nut in Upper T-slots of the slide (Fig. 2).
4. Fasten the Front Top Panel using M6 X10 mm Screws into the M6 Drop-In-Nut (Fig. 3).



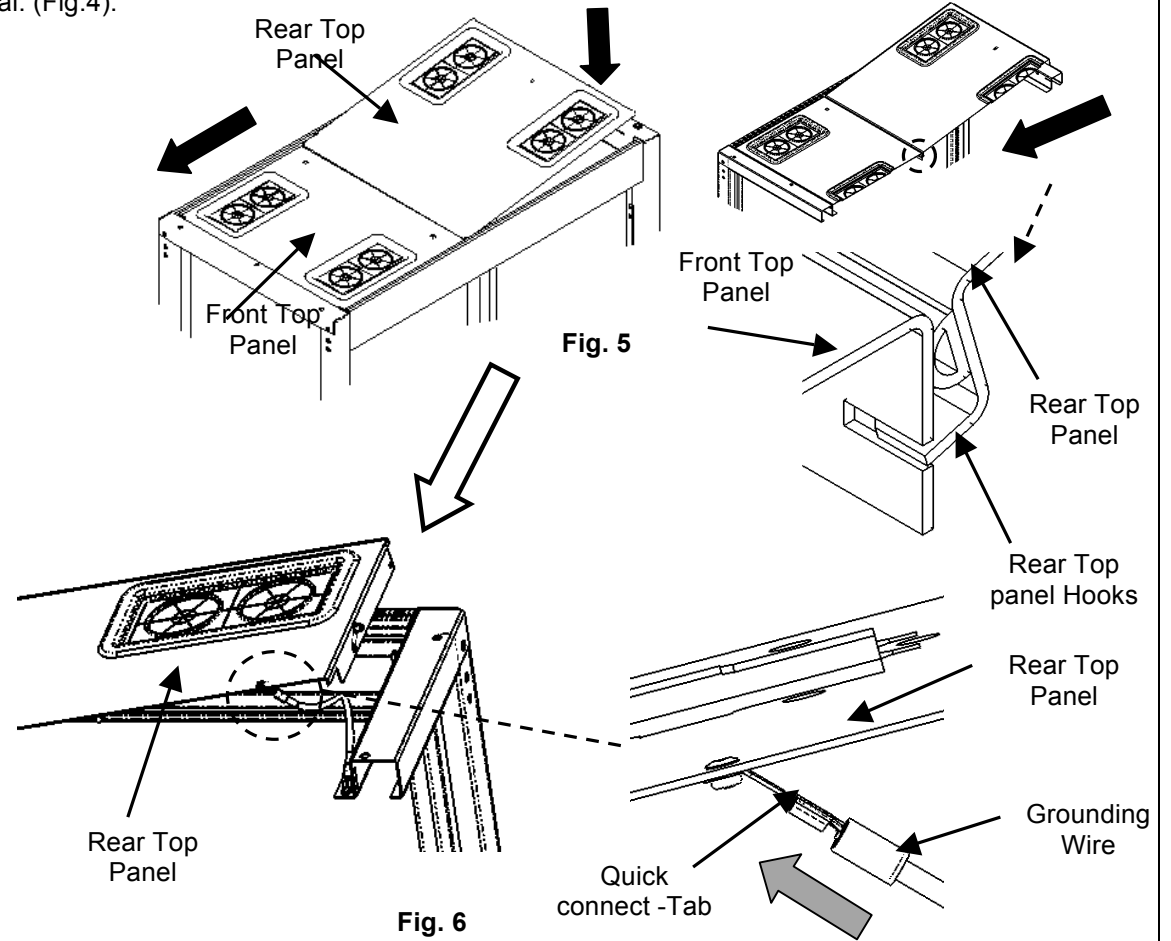
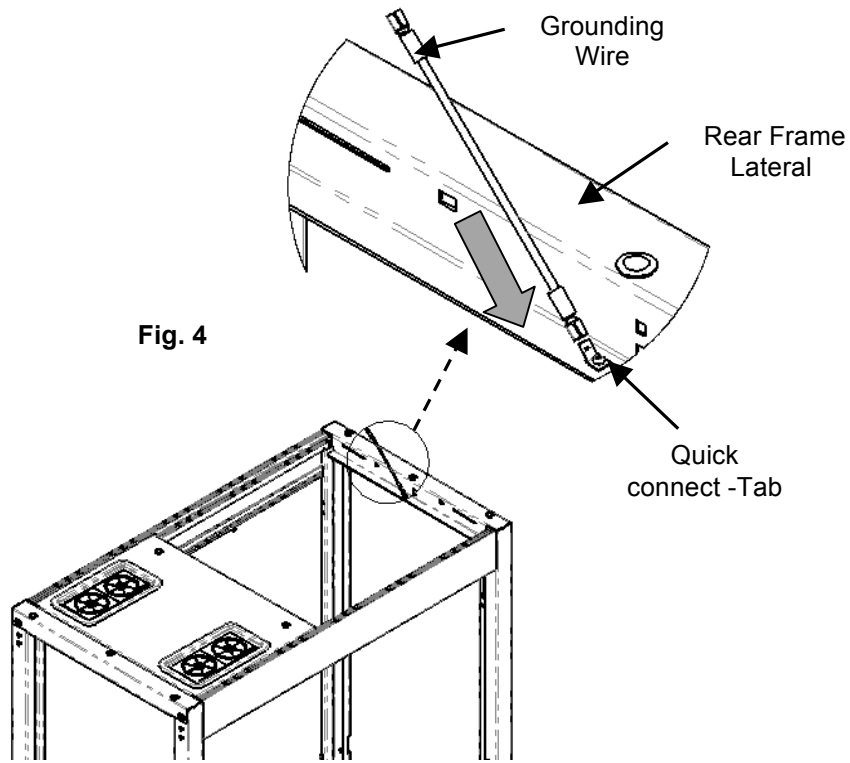
IIS-739020, 02/18/13, Rev. 1, CPI/JAG  
800-834-4969 (USA & Canada) • [www.chatsworth.com](http://www.chatsworth.com) • [techsupport@chatsworth.com](mailto:techsupport@chatsworth.com)  
For international phone numbers, see our website or contact CPI Tech Support.

*This drawing contains proprietary and confidential information and is protected by U.S. and international law. Unauthorized reproduction, disclosure or use of the drawing or the information therein is expressly forbidden except as agreed to in writing by Chatsworth Products, Inc.*

# Installation Instructions

## 2-PIECE TOP PANEL

5. Connect grounding wire onto the Quick Connect Tab on frame lateral. (Fig.4).
6. Position the Rear Top Panel onto the Top Frame of the Cabinet At an inclined position (Fig. 5).
7. Slide the Rear Top Panel hooks into the Front Top Panel Slots on the cabinet frame (Fig.5).



# Installation Instructions

## 2-PIECE TOP PANEL

8. Lower the Rear Top Panel to engage two spring pins (Fig. 7).
9. Plug the other end of the Grounding wire onto the Quick connect-Tab on rear Top panel (Fig.6).

10. To remove Top Panel, unplug Grounding Wire from Top Panel. Next, depress the two spring pins to disengage rear top panel and lift off cabinet.

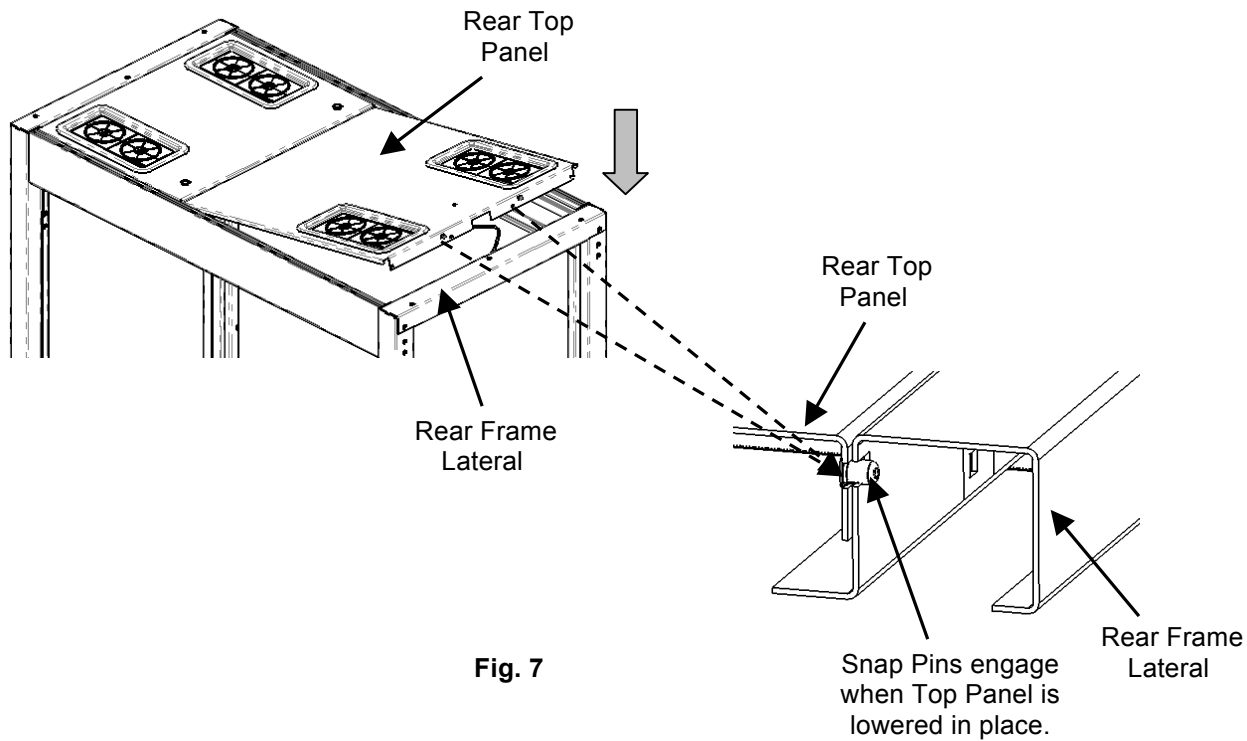


Fig. 7

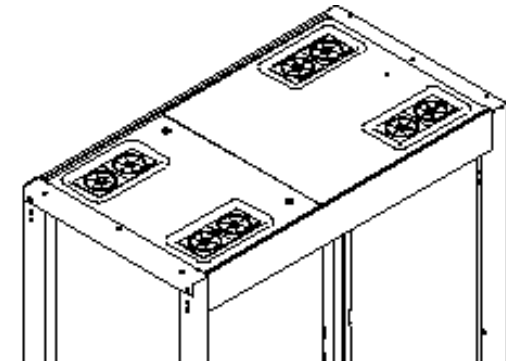


Fig. 8