

Installation Instructions

CASTER LEVELER KIT

Safety Information



WARNING: Improper use of this product may lead to serious injury. Read and understand all instructions for proper installation and use of this product.



WARNING: Do not attempt to move large cabinets by yourself. Obtain adequate assistance to stabilize the cabinet during movement or hire professional equipment riggers.



WARNING: Move cabinets on installed casters with extreme care. Sudden stops, excessive force, and uneven surfaces may cause the cabinet to overturn. It is easier to move the cabinet with the back as the leading edge. Never push on the sides.



WARNING: Unload equipment from the cabinet before moving it.



WARNING: Before loading equipment in the cabinet, be sure to adjust the leveling feet to level the cabinet.



WARNING: The cabinet can support many system configurations. The amount of force required to tip or make the cabinet unstable differs with each configuration.



WARNING: A standalone cabinet should be level, stable, and anchored to the floor. Two or more cabinets can be bayed together (coupled) to enhance their stability.



WARNING: Each cabinet should be anchored to the floor.



WARNING: Do not use casters to stabilize the cabinet; always anchor the leveling feet or the cabinet frame to the floor.



WARNING: Always load heavy equipment, such as a UPS, at the bottom of the cabinet first, and add lighter equipment on higher levels. There is a safety risk when equipment is mounted on a shelf installed more than 30 inches (760 mm) above the floor in a cabinet without doors and/or side panels. The equipment may accidentally slide or be accidentally pushed off the shelf and fall on personnel. When equipment is mounted on a shelf in this condition, securely fasten the equipment to the shelf or cabinet frame. The following accessories may be used to secure certain equipment on shelves: monitor tie-down kit (P/N 11725-701), seismic equipment tie-down bracket (P/N 14061-719), or equipment tie-down bracket (P/N 16356-719).

Installation Instructions

CASTER LEVELER KIT

Included Hardware:

M6 Hex Nut, 16 ea.

Tools Required:

10 mm Socket Wrench

#2 Philips screw driver

Assembly Sequence

1. Remove all equipment, doors and side panels from cabinet.
2. Lay cabinet on its side (Fig. 1).
3. Position casters as shown, torque all nuts to 168 in-lb (19 Nm) (Fig. 1).
4. Using a Phillips head screw driver, install the four leveling feet (Fig. 2).

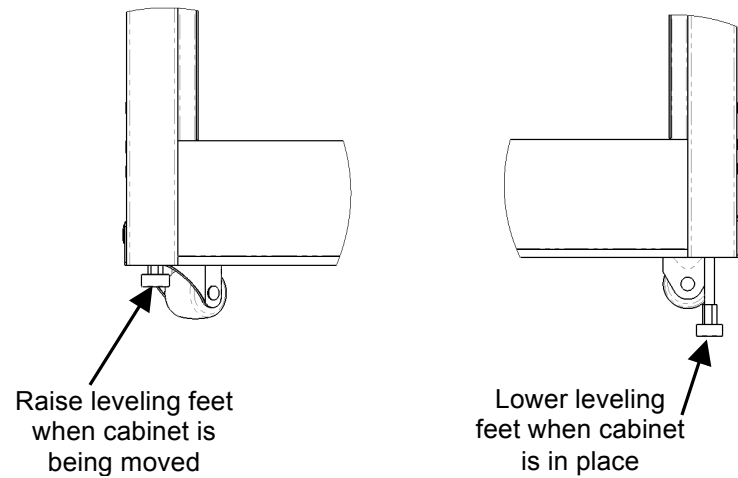


Fig. 2

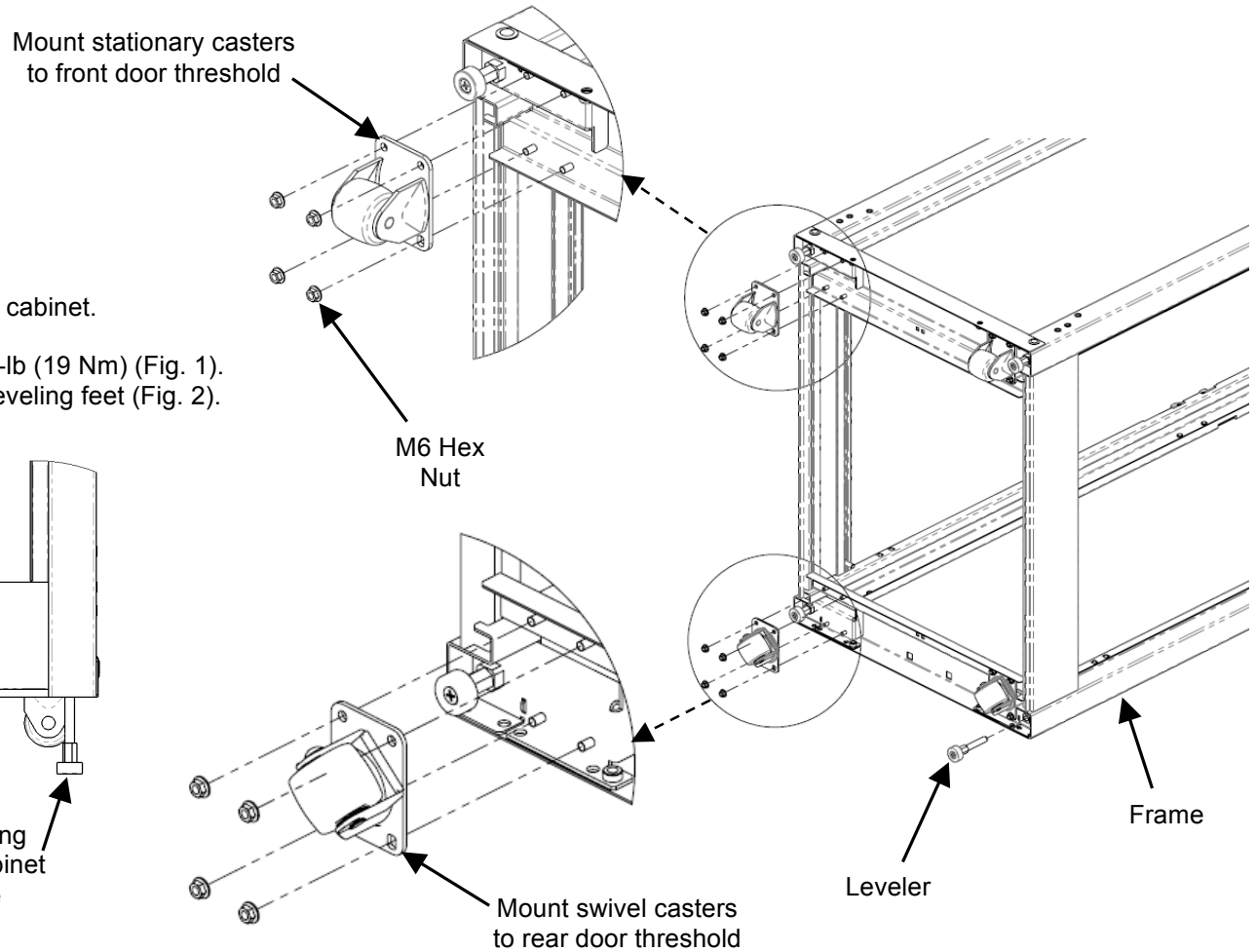


Fig. 1