

# Installation Instructions

## SIDE PANEL ASSEMBLY, FOR 4 SLIDE CABINET

### Included Hardware

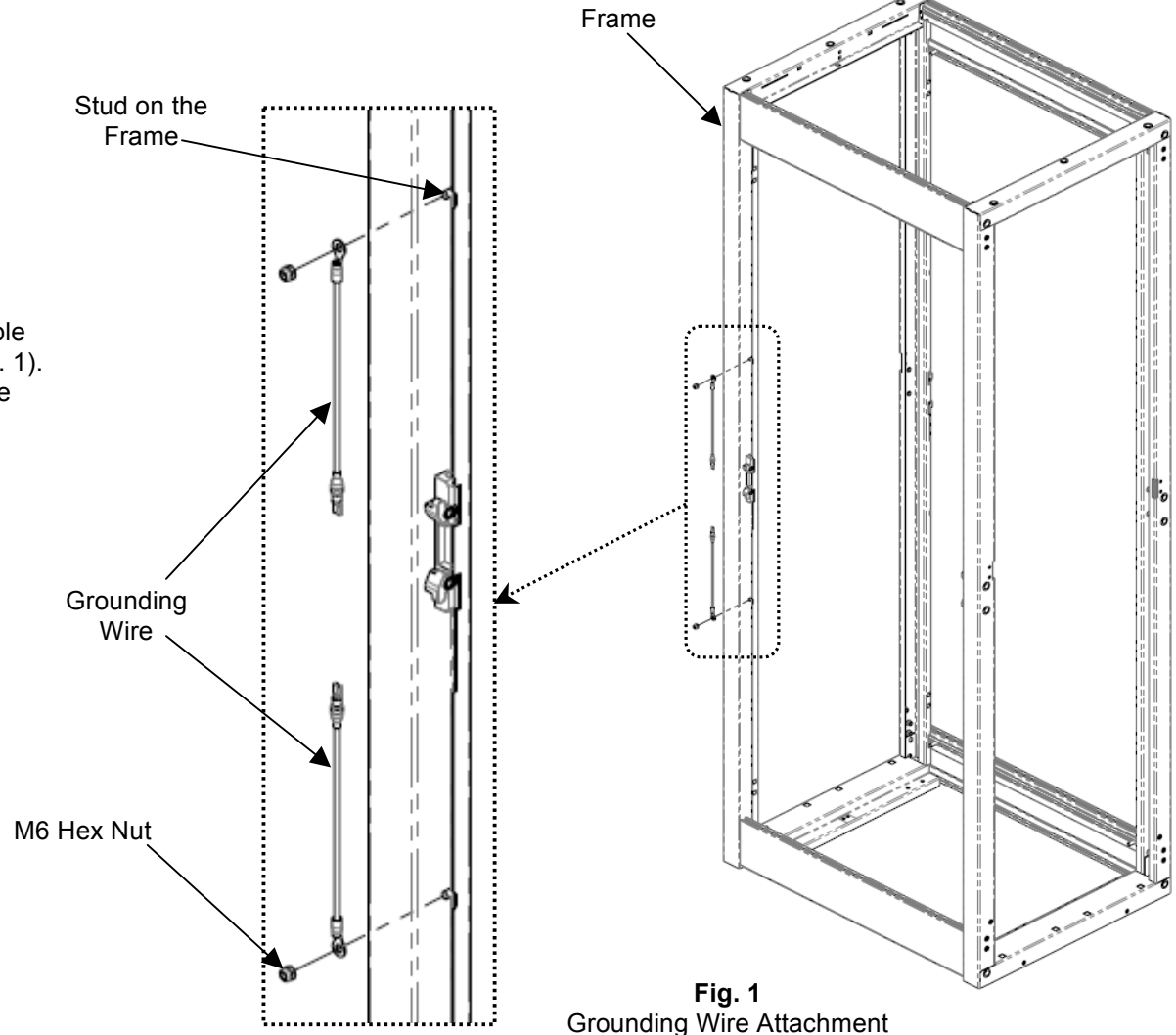
M6 Hex Nut, 2 ea.

### Tools Required

10mm Socket Wrench

### Assembly Sequence

1. Assemble the grounding wires to the studs available on the frame vertical members using M6 nuts (Fig. 1). The grounding wire can be assembled either at the front or rear of the frame.



IIS -739040, 02/18/13, Rev. 1, CPI/JAG  
800-834-4969 (USA & Canada) • [www.chatsworth.com](http://www.chatsworth.com) • [techsupport@chatsworth.com](mailto:techsupport@chatsworth.com)  
For international phone numbers, see our website or contact CPI Tech Support.

*This drawing contains proprietary and confidential information and is protected by U.S. and international law. Unauthorized reproduction, disclosure or use of the drawing or the information therein is expressly forbidden except as agreed to in writing by Chatsworth Products, Inc.*

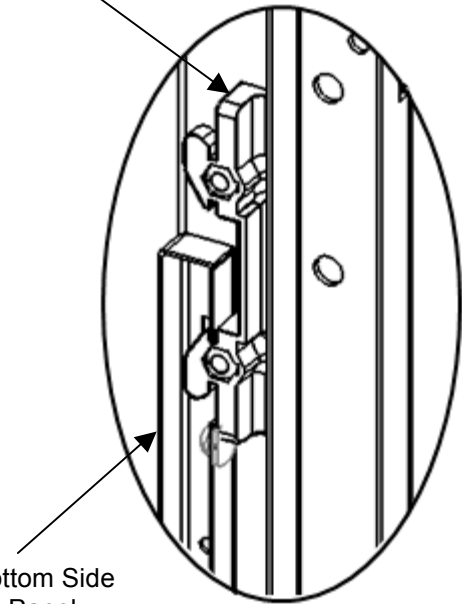
# Installation Instructions

## SIDE PANEL ASSEMBLY, FOR 4 SLIDE CABINET

2. Rest the bottom side panel on the lower frame slide. Swing the bottom side panel towards the frame. Attach the grounding wire using the quick connect on the bottom side panel (Fig. 2).

3. Lift and lower the bottom side panel to engage the side panel catch (Fig. 3).

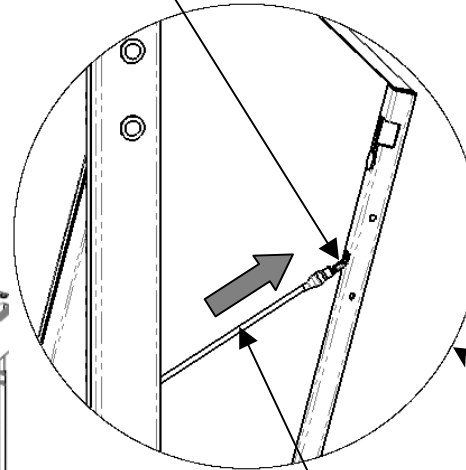
Side Panel Catch



Bottom Side Panel

**Fig. 3**  
Bottom Side Panel  
and Side Panel  
Catch

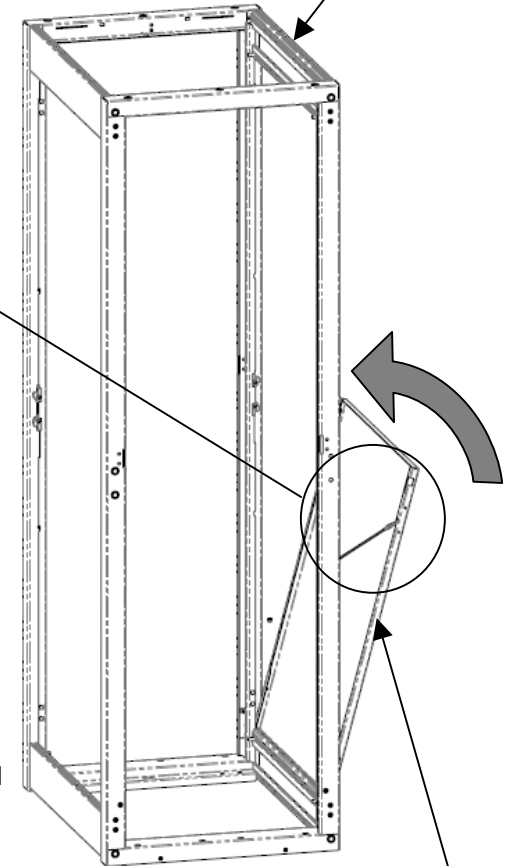
Quick Connect



Grounding Wire

**Fig. 2**  
Bottom Side Panel  
Attachment

Frame

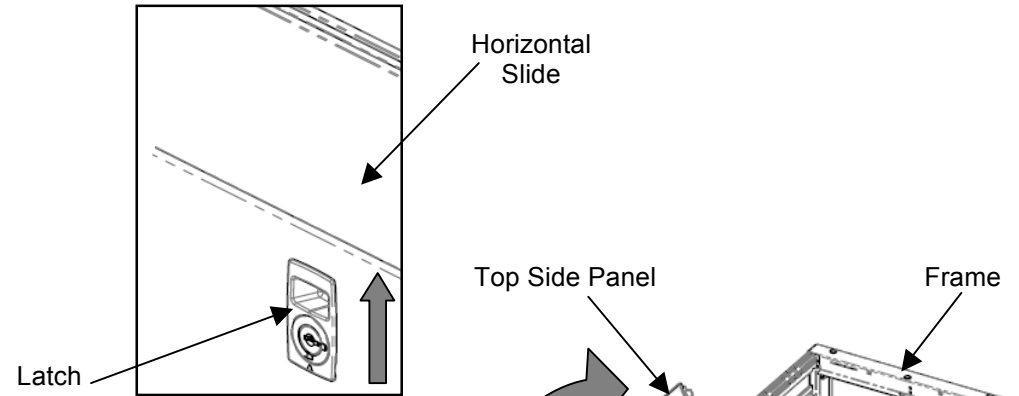


Bottom Side Panel

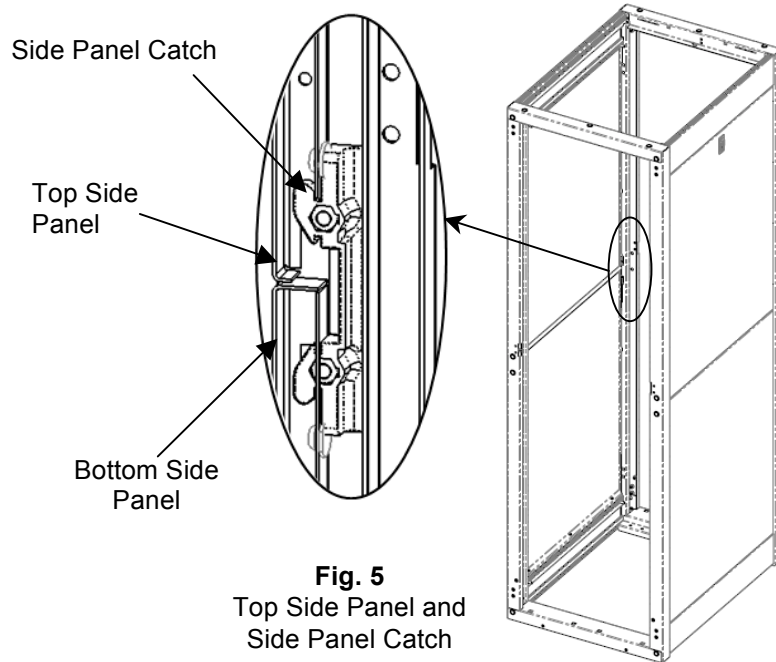
# Installation Instructions

## SIDE PANEL ASSEMBLY, FOR 4 SLIDE CABINET

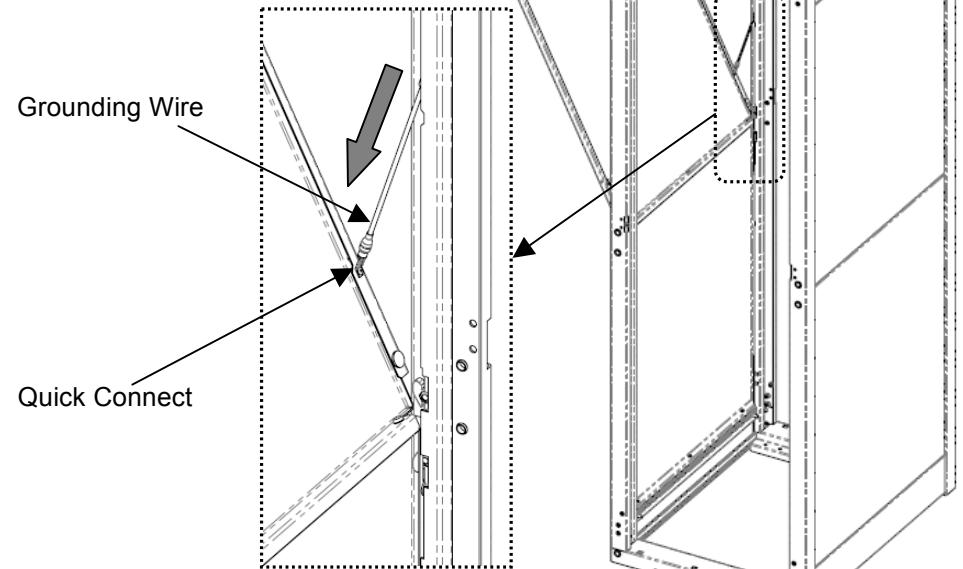
4. Rest the top side panel on top of bottom side panel. Swing the top side panel towards the frame. Attach the grounding wire using the quick connect on the top side panel (Fig. 4).
5. Lift and lower the top side panel to engage the side panel catch (Fig. 5).
6. Rotate the top side panel to close and push up on latch to ensure the top side panel engagement (Fig. 6).
7. Use key to secure the side panels when not in use.



**Fig. 6**  
Side Panel Engagement



**Fig. 5**  
Top Side Panel and  
Side Panel Catch



**Fig. 4**  
Top Side Panel Attachment