

# Installation Instructions

## DOUBLE REAR DOOR TWO POINT LATCH

### Included Hardware

- M10 Washer (1 ea.)
- M6 Clevis Pin (2 ea.)
- E-Ring external 6mm (2 ea.)

### Tools Required

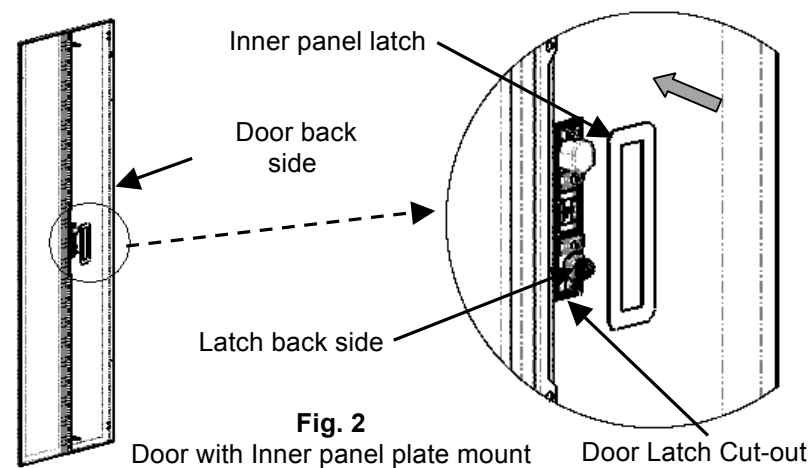
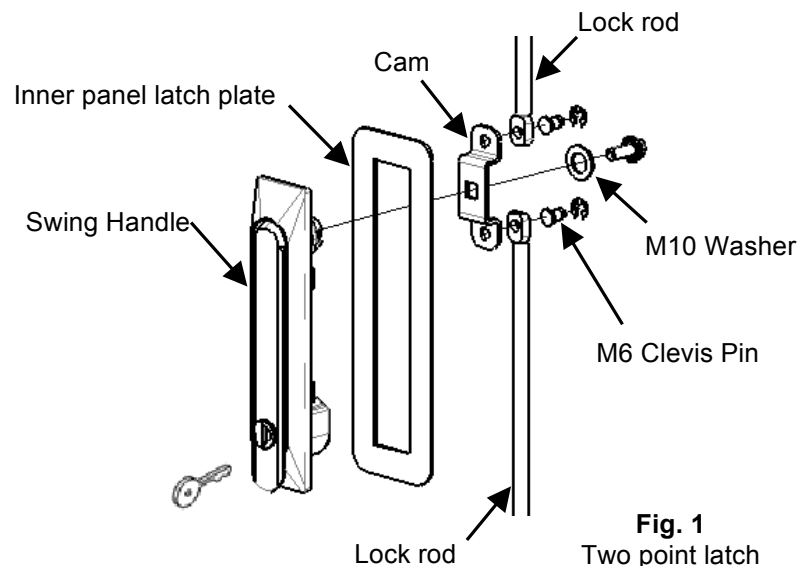
- # 2 Phillips screwdriver

### Installation Notes

- These instructions apply to the two-point latch for double rear door.
- The cabinet door must be unmounted in order to install or remove a two-point latch, because the lock rods extend beyond the top and bottom of the door.

### Assembly Sequence

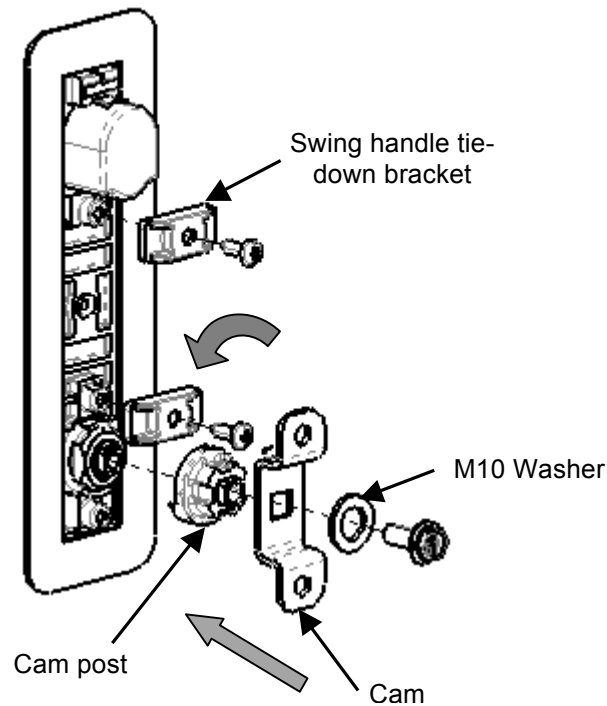
1. Place the swing handle into the inner panel latch plate on the door with the key hole down. **(Fig. 1)**
2. Position the latch plate on the inside of the door, and the swing handle on the outside of the door, with the cam post and lock cylinder protruding through the lock cut-out. **(Fig.2)**



# Installation Instructions

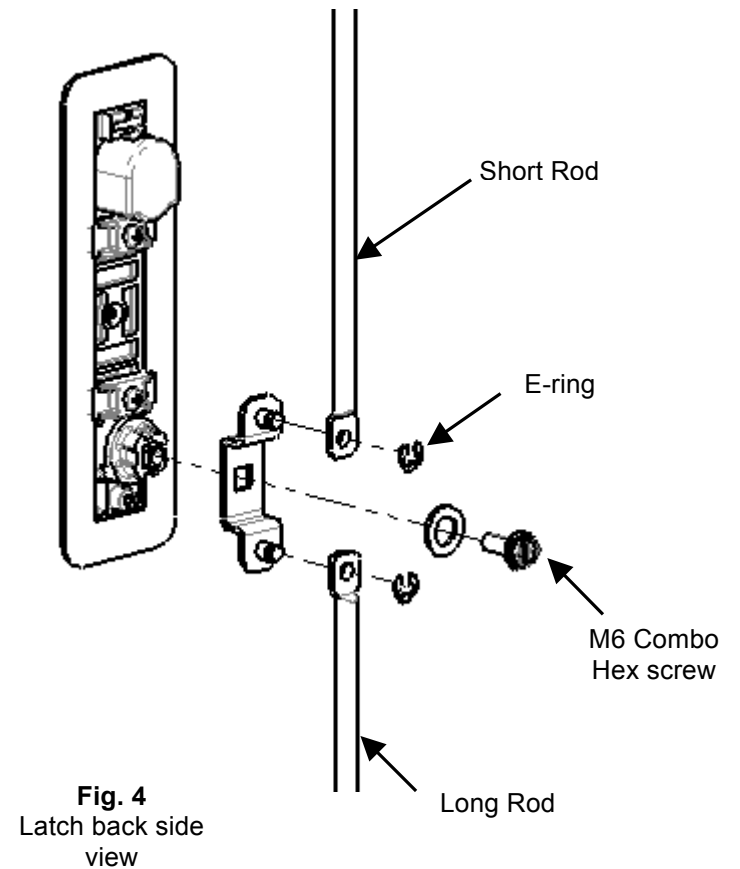
## REAR DOOR TWO POINT LATCH

3. Secure the swing handle to the swing handle tie-down bracket with 2 screws in the top and bottom holes. **(Fig. 3)**
4. Check the swing handle operation direction. To change the direction, remove the cam, rotate the cam post, and reattach. **(Fig. 3)**
5. Insert the lock rods through the guides, with the short rod on the top and the long rod on the bottom.



**Fig. 3**  
Latch back side view

6. Insert the clevis pin through the short rod (on top) and use E-ring to lock it. Then long rod (on bottom), through the other half of the cam assembly. **(Fig. 4)**
7. Attach the cam assembly to the cam post with one M6x16mm combo hex head screw. **(Fig. 4)**



**Fig. 4**  
Latch back side view