

# Installation Instructions

## TERAFRAME FRONT DOOR SINGLE-POINT LATCH

### Included Hardware:

- M4X10mm Taptite screw (2 ea).
- M4 star Washer (2 ea.)
- M10 Washer (1 ea.)
- M6X12mm Pan Head screw (2 ea).

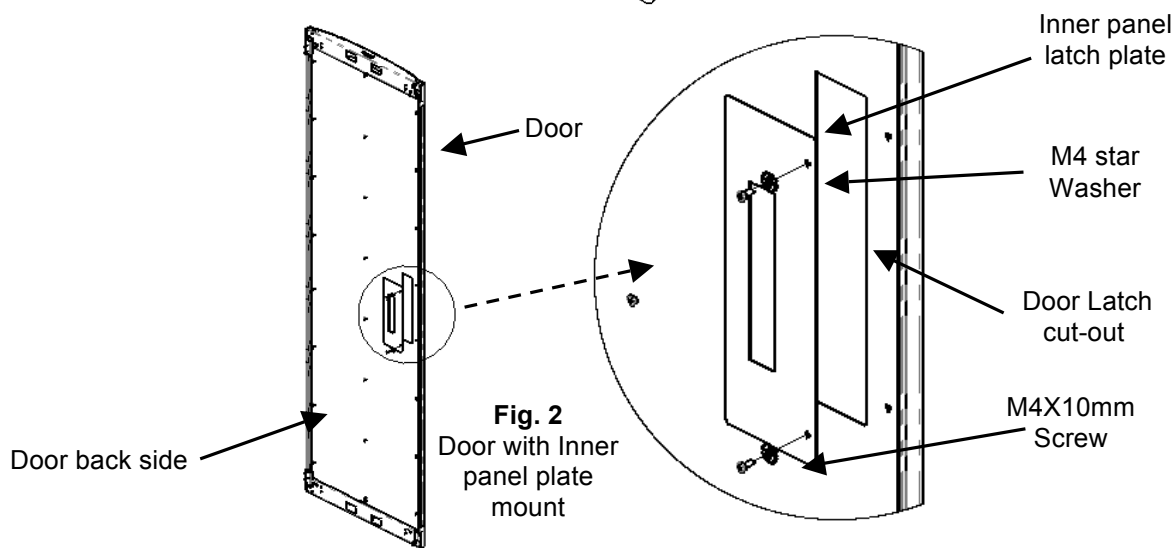
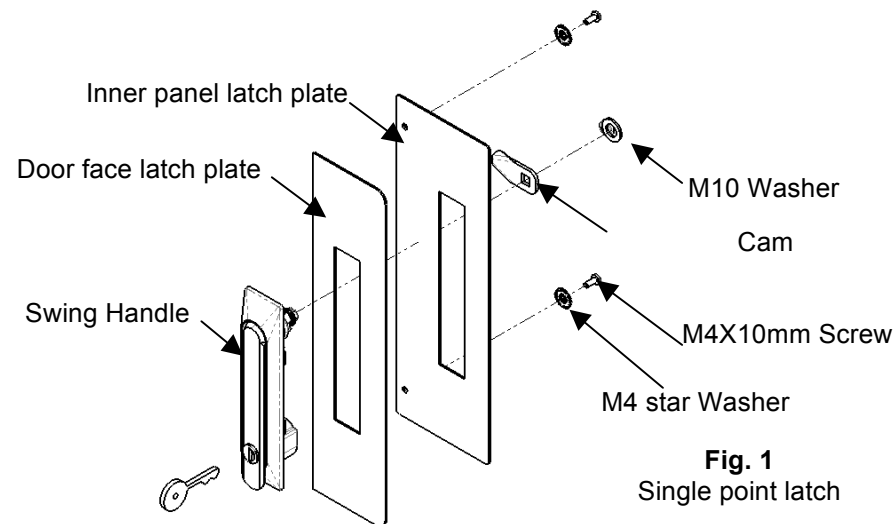
### Tools Required:

- #2 Phillip screw driver.

### Assembly Sequence

Install the Single point latch (Fig.1) onto TeraFrame door.

1. Position the inner panel latch plate inside the door over the latch cut-out and fasten with two M4X10mm screws with a M4 star washer under each screw head. The star washer provides an electrical bonding point.(Fig 2).



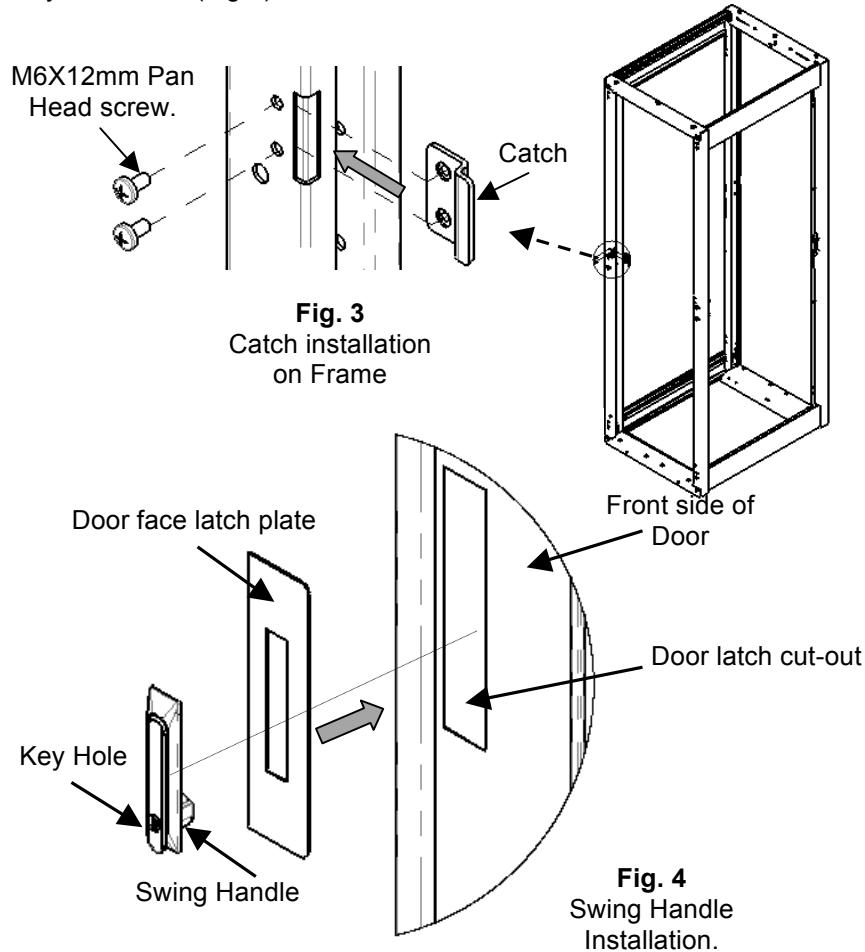
IIS-739063, 02/18/13, Rev. 1, CPI/JAG  
800-834-4969 (USA & Canada) • [www.chatsworth.com](http://www.chatsworth.com) • [techsupport@chatsworth.com](mailto:techsupport@chatsworth.com)  
For international phone numbers, see our website or contact CPI Tech Support.

*This drawing contains proprietary and confidential information and is protected by U.S. and international law. Unauthorized reproduction, disclosure or use of the drawing or the information therein is expressly forbidden except as agreed to in writing by Chatsworth Products, Inc.*

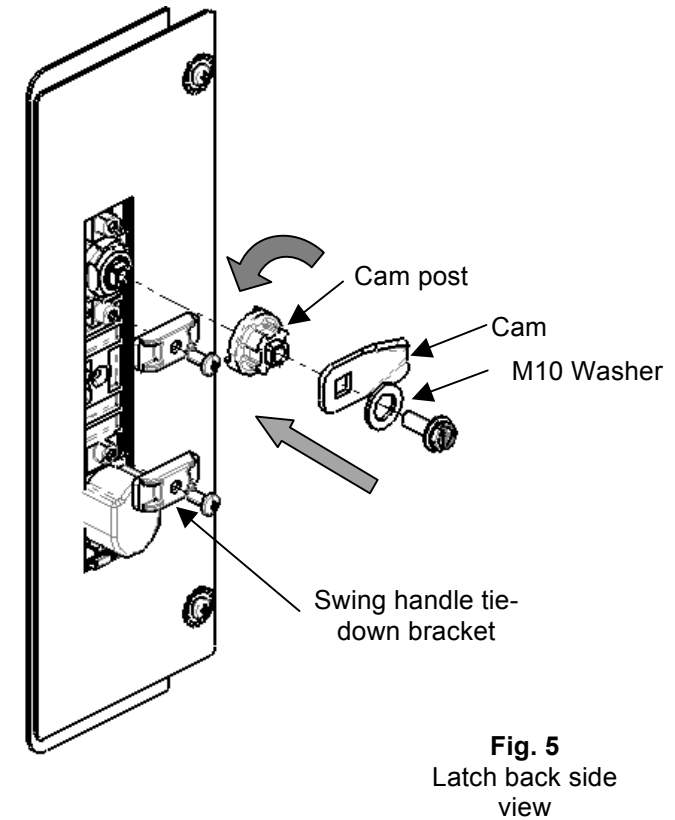
# Installation Instructions

## TERAFRAME FRONT DOOR SINGLE-POINT LATCH

2. Install the Catch in the upper cut-out in the frame opposite the hinges, fastening with M6x12mm screw.(Fig 3).
3. Place the swing handle into the door face latch plate with the key hole down.(Fig.4)



4. Position the swing handle and latch plate subassembly on the outside of the door against the inner panel latch plate with the cam post and lock cylinder protruding through the inner panel latch plate.
5. Secure the swing handle to the inner panel latch plate with the swing handle tie-down bracket and 2 screws in the top and bottom holes.(Fig.5)
6. Place the M10 washer over the Cam, push the cam onto the cam post and check swing handle operation direction (Fig.5).



# Installation Instructions

## TERAFRAME FRONT DOOR SINGLE-POINT LATCH

### Combination Lock

To open the door when your cabinet is first received:

1. Dial in the factory-set combination "000".
2. Turn the wing knob 180 degrees counterclockwise until the arrow points up (unlocked sign). Lift the handle and turn.
3. To relock, return the handle to the closed position, turn the wing knob 18 degrees clockwise to lock, and then scramble the combination.

To change the combination, the existing code must be known. The factory-set combination is "000".

1. Be sure that the key lock is in the locked position (arrow on the wing knob points down).
2. Dial in the existing combination.  
**NOTE:** If the combination is unknown, you can use the key to unlock the door and gain access to the cabinet, but the combination cannot be reset.
3. Turn the wing knob 180 degrees + 15 degrees counterclockwise.
4. Set the new combination numbers.
5. Turn the wing knob 15 degrees clockwise. The new combination is now set.
6. Turn the wing knob 180 degrees clockwise to lock, and then scramble the combination numbers.

