

Installation Instructions

TERAFRAME FRONT DOOR TWO-POINT LATCH

Included Hardware:

- M4 X 10mm TapTite screw, 2 ea.
- M4 star Washer, 2 ea.
- M10 Washer, 1 ea.
- M6 X 11mm Clevis Pin, 2 ea.
- 6 mm E-ring Ext., 2 ea.

Tools Required:

- #2 Phillips screw driver.
- Rivet gun

Installation Notes:

- The cabinet door must be unmounted in order to install or remove a two-point latch, because the lock rods extend beyond the top and bottom of the door.
- When reversing the door swing for a two-point latch, the lock must be inverted 180 degrees. The lock rods must also be inverted.

Assembly Sequence

1. Install lock rod guides in the top and bottom door brackets. do not insert the lock rods yet (Fig. 1).
2. Position the inner panel latch plate inside the door over the latch cut-out and fasten with two M4X10mm screws with a M4 star washer under each screw head. The star washer provides an electrical bonding point (Fig. 1).
3. Place the swing handle into the door face latch plate with the key hole down (Fig. 1)
4. Position the swing handle and latch plate subassembly on the outside of the door against the inner panel latch plate with the cam post and lock cylinder protruding through the inner panel latch plate.
5. Secure the swing handle to the inner panel latch plate with the swing handle tie-down bracket and 2 screws in the top and bottom holes.(Fig. 1).
6. Place the M10 washer over the Cam, push the cam onto the cam post and check swing handle operation direction (Fig. 2).

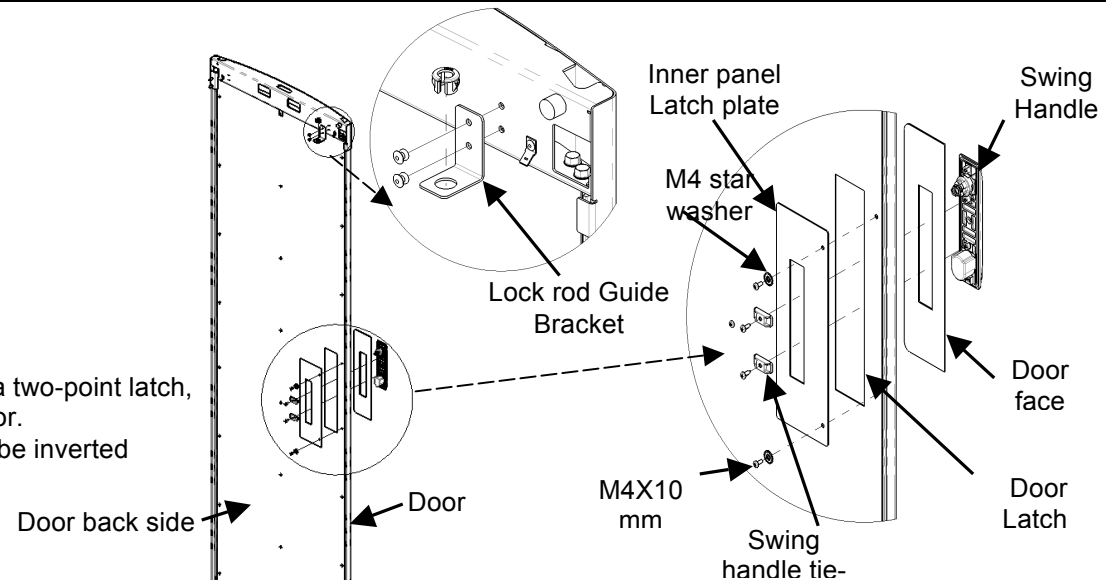


Fig. 1

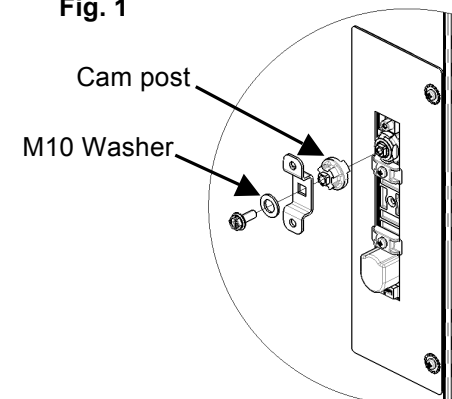


Fig. 2



IIS-739064, 02/18/13, Rev. 1, CPI/JAG
800-834-4969 (USA & Canada) • www.chatsworth.com • techsupport@chatsworth.com
For international phone numbers, see our website or contact CPI Tech Support.

This drawing contains proprietary and confidential information and is protected by U.S. and international law. Unauthorized reproduction, disclosure or use of the drawing or the information therein is expressly forbidden except as agreed to in writing by Chatsworth Products, Inc.

Installation Instructions

TERAFRAME FRONT DOOR TWO-POINT LATCH

7. To change the direction, remove the cam, rotate the cam post, and reattach (Fig. 3).
8. Insert the lock rods through the guides, with the short rod on the top and the long rod on the bottom (Fig. 4).
9. Insert the cam assembly pins through the short rod (on top) and the long rod (on bottom), then through the other half of the cam assembly (Fig. 4).
10. Attach the cam assembly to the cam post with one M6 X 16 mm combo hex head screw.

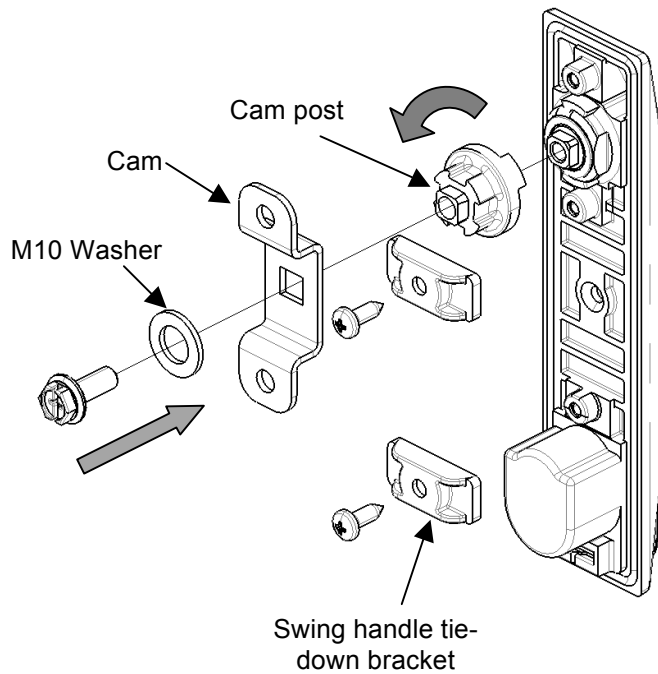


Fig. 3
Latch back side
view

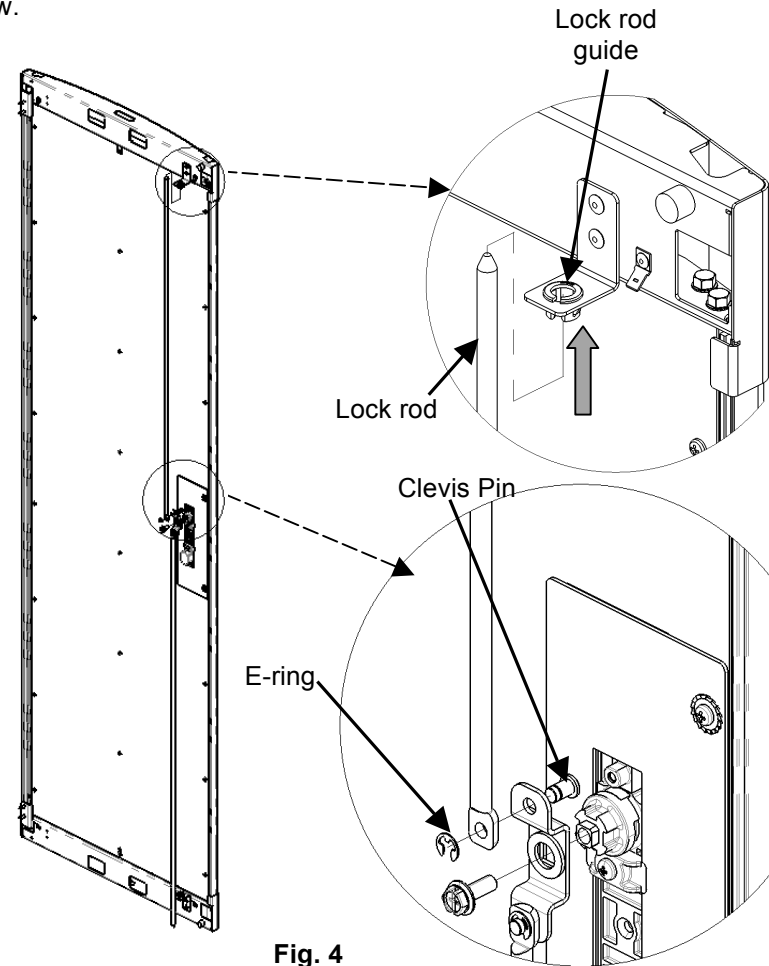


Fig. 4