

# Installation Instructions

## REAR SINGLE DOOR

### Installation Notes



**CAUTION:** When mounting the doors, be sure to insert the hinge pins. If the hinge pins are not inserted, the doors could fall off the next time they are opened.

A bonding jumper wire, bonding connection points, and attaching hardware are provided for electrically bonding the door to the cabinet frame. A quick-connect tab is located on the inner surface of the rear door near the bottom hinge. This tab should be used for electrically bonding the door to the cabinet frame by plugging the quick-connect end of the bonding jumper wires onto the quick-connect tab on the door.

### Included Hardware:

M6X16mm FH Screw (4 ea.)

M6X12mm PH Screw (3 ea.)

### Tools Required:

#2 Phillips screw driver

### Assembly Notes:

The hinges have a notch feature that prevents them from engaging unless the door is perpendicular to the cabinet. The door is perpendicular to the cabinet when it is parallel with the side of the cabinet.

### Assembly Sequence:

1. Decide how you want the door to open – hinges on left or hinges on right.
2. Attach the hinges to the frame using two M6 flathead screws per hinge (Fig. 1).
3. Using the M6 PH screw, attach the end of the bonding jumper wire with the ring terminal to the frame threaded insert nearest to the bottom door hinge. Orient ring terminal as shown (Fig. 1).

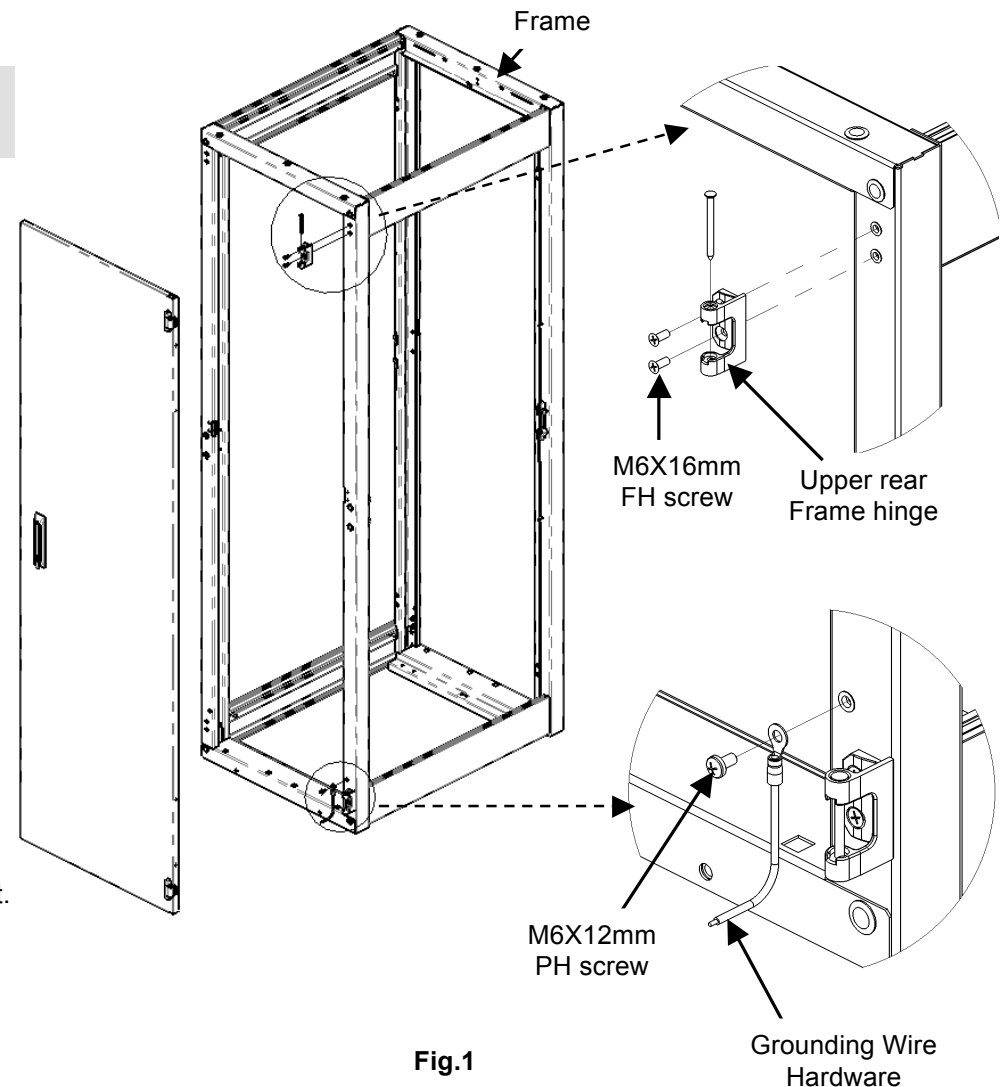


Fig.1



IIS-739070, 02/18/13, Rev. 1, CPI/JAG

800-834-4969 (USA & Canada) • [www.chatsworth.com](http://www.chatsworth.com) • [techsupport@chatsworth.com](mailto:techsupport@chatsworth.com)

For international phone numbers, see our website or contact CPI Tech Support.

*This drawing contains proprietary and confidential information and is protected by U.S. and international law. Unauthorized reproduction, disclosure or use of the drawing the information therein is expressly forbidden except as agreed to in writing by Chatsworth Products, Inc.*

# Installation Instructions

## REAR SINGLE DOOR

4. With the door held perpendicular to the cabinet, slide the door onto the hinges and rotate to close (Fig. 2).
5. Insert the hinge pins into the hinges from the top. Push the pins down into the hinges until their tops are flush with the tops of the hinges. It may be necessary to lightly tap on the tops of the hinge pins to seat them (Fig. 2).
6. Electrically bond the door to the cabinet frame by plugging the quick-connect end of the bonding jumper wire onto the quick-connect tab nearest the bottom door hinge (Fig. 3).
7. Attach the door latch plate to the frame on the opposite side of the hinges using 2 M6X12 screws (Fig. 3).
8. To remove door, unplug the quick-connect end of the bonding jumper wire from the door. With door closed, remove the hinge pins by pushing the pins up from the bottom with a small screwdriver. Open the door until it is perpendicular to the cabinet, and slide the door out of the hinges (Fig. 3).

