

# Installation Instructions

## FRONT-TO-BACK CABLE MANAGER

### Included Hardware

M6X12 pan head Screw, 4 ea.

6mm Hex Nut, 4 ea.

M6 Star Washer, 2 ea.

### Tools Required

#2 Phillips screw driver

10mm Wrench

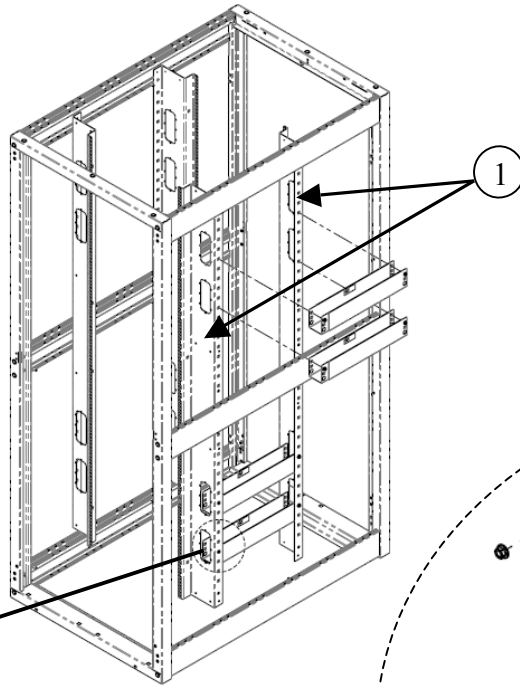
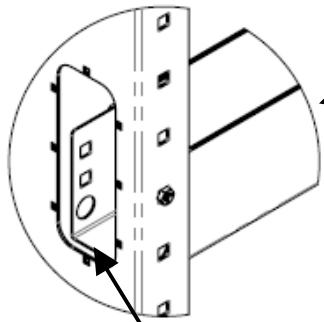


Fig.1



Manager should be positioned with the bottom edge at or below the rail pass-thru opening.

### Installation :

1. The Front-To-Back manager is available in 700mm and 800mm wide cabinet. The vertical cables managers must be installed first, with the backs facing each other, see callout 1. The distance between the manager can be from 22" to 34".
2. Assemble the two brackets to the approximate length with the 6mm pan head screw and nuts. Leave the screw loose during installation to accommodate length adjustment. Tighten screws after installation.
3. Mount the manager to the inside of the rails and pass through opening (Fig.1).

