

# Installation Instructions

## FULL HEIGHT DUAL PDU BRACKET

### Safety Information



**WARNING:** Improper use of this product may lead to serious injury. Read and understand all instructions for proper installation and use of this product.



**WARNING:** When installing PDU, ensure power cords are routed and secured to prevent risk of cord getting pinched.

### Included Hardware:

M6 X10mm Flat Head Screw, 4 ea.

M6 Drop-In-Nut, 4 ea.

### Tools Required:

Large Phillips Screwdriver

### Installation Instructions

The PDU Bracket (Fig.1) attaches to the cabinets slides (Fig. 2).

1. Position the PDU Bracket at the desired location along the cabinet slides. The top of the bracket is indicated by a punched arrow (Fig. 2, detail).
2. Insert M6 Drop-in-Nuts in the slides as shown below. Fasten the PDU Bracket using M6 x10mm Flat Head Screws into the Drop-In-Nut (Fig. 2, detail).

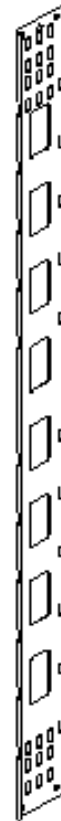
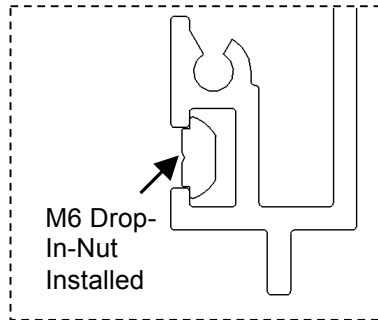
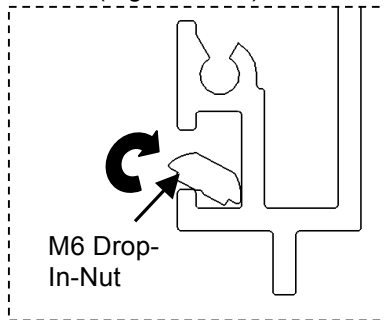


Fig. 1  
PDU BRACKET.

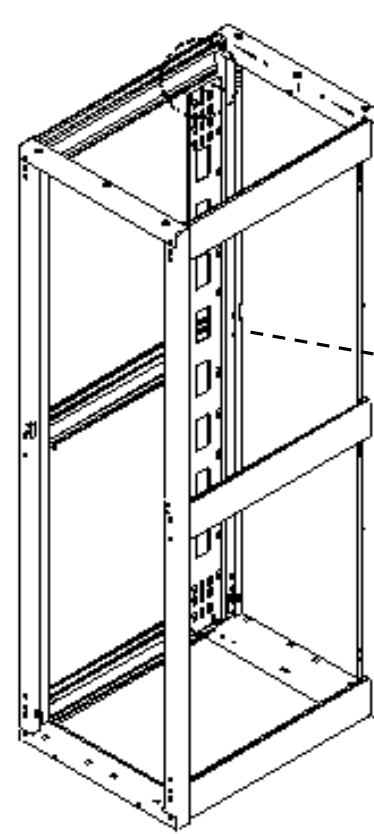
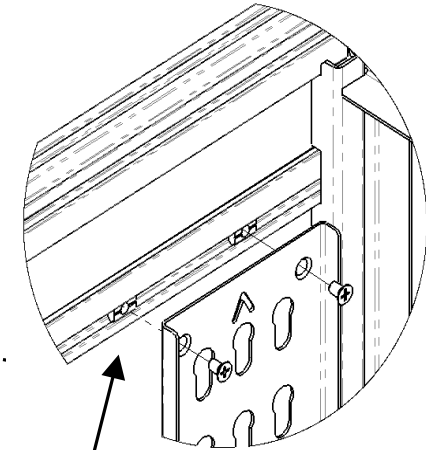


Fig. 2



M6X10mm  
Flat Head Screw

M6 Drop-In-Nut



IIS-739086, 02/18/13, Rev. 1, CPI/JAG

800-834-4969 (USA & Canada) • [www.chatsworth.com](http://www.chatsworth.com) • [techsupport@chatsworth.com](mailto:techsupport@chatsworth.com)

For international phone numbers, see our website or contact CPI Tech Support.

*This drawing contains proprietary and confidential information and is protected by U.S. and international law. Unauthorized reproduction, disclosure or use of the drawing or the information therein is expressly forbidden except as agreed to in writing by Chatsworth Products, Inc.*