

# Installation Instructions

## CABLE MGR ASSY, RING, 6-SLIDE CABINET, 700 mm W

### Included Hardware:

M6X10mm Hex Screw, 4 ea.

M6 Drop-In-Nut, 4 ea.

### Tools Required:

10mm wrench

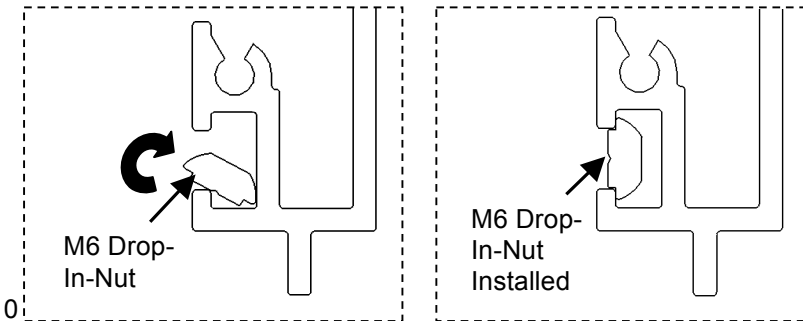
### Assembly Notes:

The equipment mounting rail must be set back a minimum distance 8.16" (207 mm) for Ring Cable Manager installation as shown in Fig. 2 and Fig. 3.

### Installation Instructions

The Ring Cable Manager (Fig.1) attaches to the cabinets slides (Fig. 2).

1. Position one of the Ring Cable Manager brackets at the desired location along the cabinet slides.
2. Insert M6 Drop-in-Nuts in the slides as shown below. Fasten the Ring Cable Manager using M6 x 10mm screws into the Drop-In-Nut. (Fig. 2, detail)
3. Repeat steps (1-2) for the other Ring Cable Manager bracket.



M6 Drop-In-Nut Installation



Fig. 1  
Ring Cable Manager.  
(700 mm W)

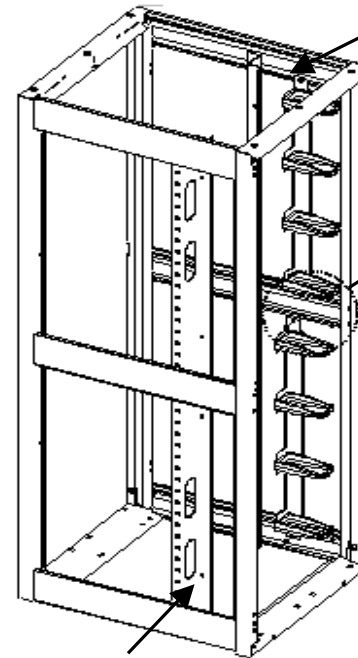


Fig. 2

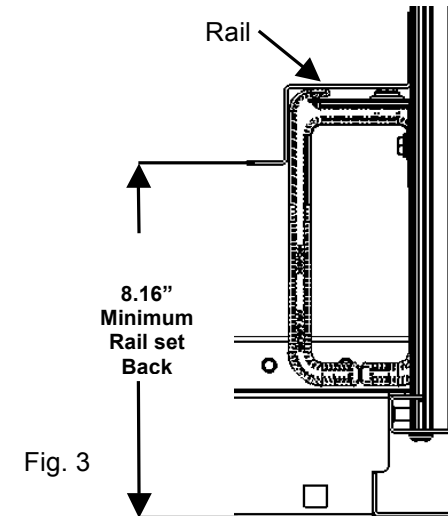
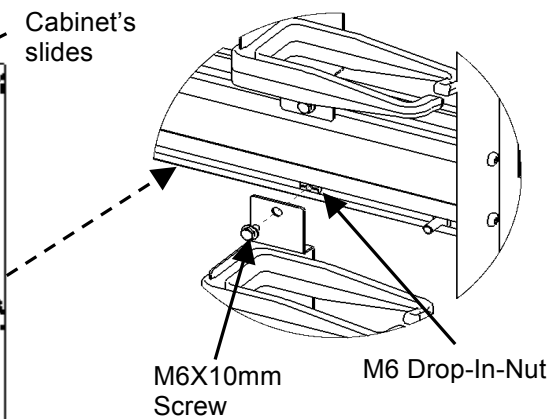


Fig. 3



IIS-739088, 02/18/13, Rev. 1, CPI/JAG

800-834-4969 (USA & Canada) • [www.chatsworth.com](http://www.chatsworth.com) • [techsupport@chatsworth.com](mailto:techsupport@chatsworth.com)

For international phone numbers, see our website or contact CPI Tech Support.

*This drawing contains proprietary and confidential information and is protected by U.S. and international law. Unauthorized reproduction, disclosure or use of the drawing or the information therein is expressly forbidden except as agreed to in writing by Chatsworth Products, Inc.*