

Installation Instructions

RING CABLE MANAGER, 6-SLIDE CABINET, 800 mm W

Included Hardware:

M6X10mm Hex Screw 4 ea.

M6 Drop-In-Nut 4 ea.

Tools Required:

10mm wrench

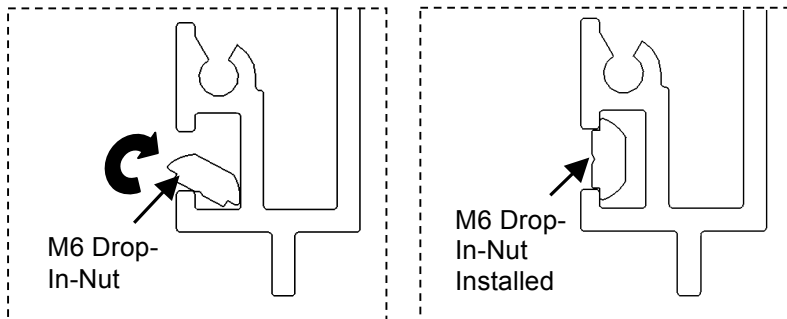
Assembly Notes:

The equipment mounting rail must be set back a minimum distance 6.36" (162 mm) for Ring Cable Manager installation as shown in Fig. 2 and Fig 3.

Installation Instructions

The Ring Cable Manager (Fig.1) attaches to the cabinet slides (Fig 2).

1. Position one of the Ring Cable Manager brackets at the desired location along the cabinet slides.
2. Insert M6 Drop-in-Nuts in the slides as shown below. Fasten the Ring Cable Manager bracket using M6X10mm screws into the Drop-In-Nut (Fig 2 detail).
3. Repeat steps (1-2) for the other Ring Cable Manager bracket.



M6 Drop-In-Nut Installation



Fig. 1
Ring Cable Manager.
(800 mm W)

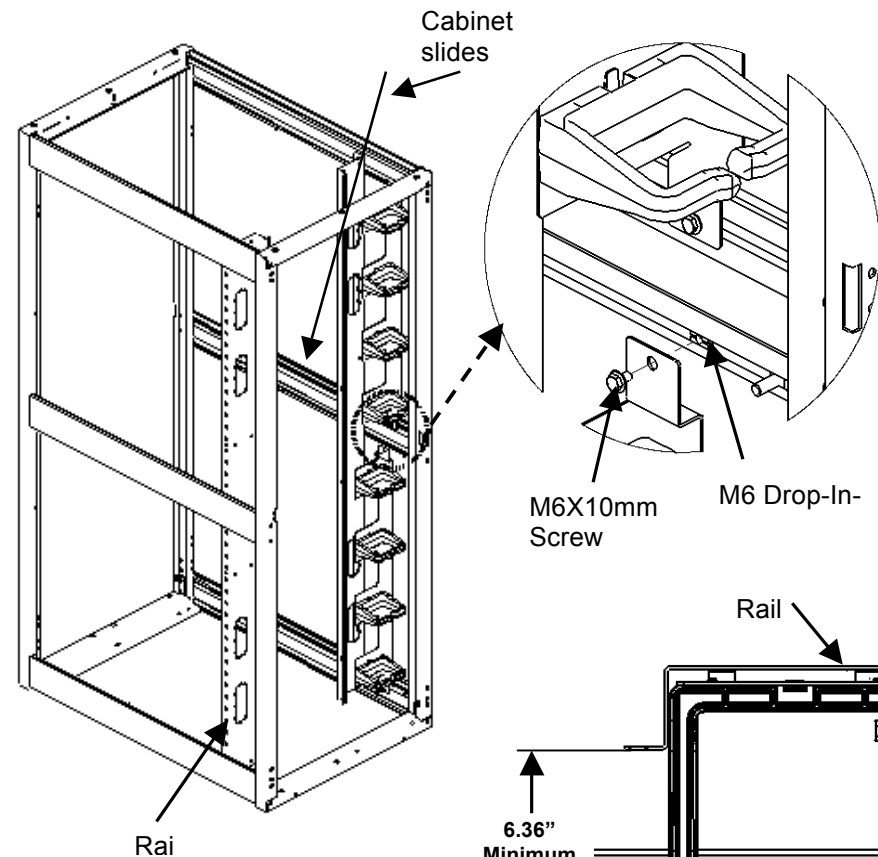


Fig. 2

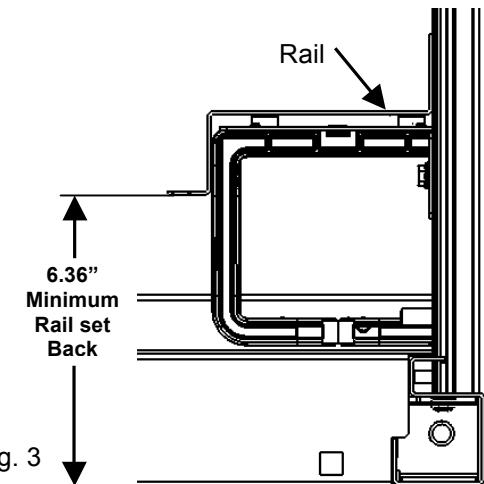


Fig. 3



IIS-739089, 02/18/13, Rev. 1, CPI/JAG
800-834-4969 (USA & Canada) • www.chatsworth.com • techsupport@chatsworth.com
For international phone numbers, see our website or contact CPI Tech Support.

This drawing contains proprietary and confidential information and is protected by U.S. and international law. Unauthorized reproduction, disclosure or use of the drawing or the information therein is expressly forbidden except as agreed to in writing by Chatsworth Products, Inc.