

Installation Instructions

GLOBALFRAME FRONT DOOR

Installation Notes:



CAUTION: The door must remain supported during repositioning so that the hinge components are not damaged. Use blocks or have an assistant support the edge of the door opposite the hinges. Do not allow the top hinge to support the entire weight of the door during repositioning.

Included Hardware:

M6 X 16 mm FH Screw, 4 ea.
M6 X 12 mm PH Screw, 1 ea.

Tools Required:

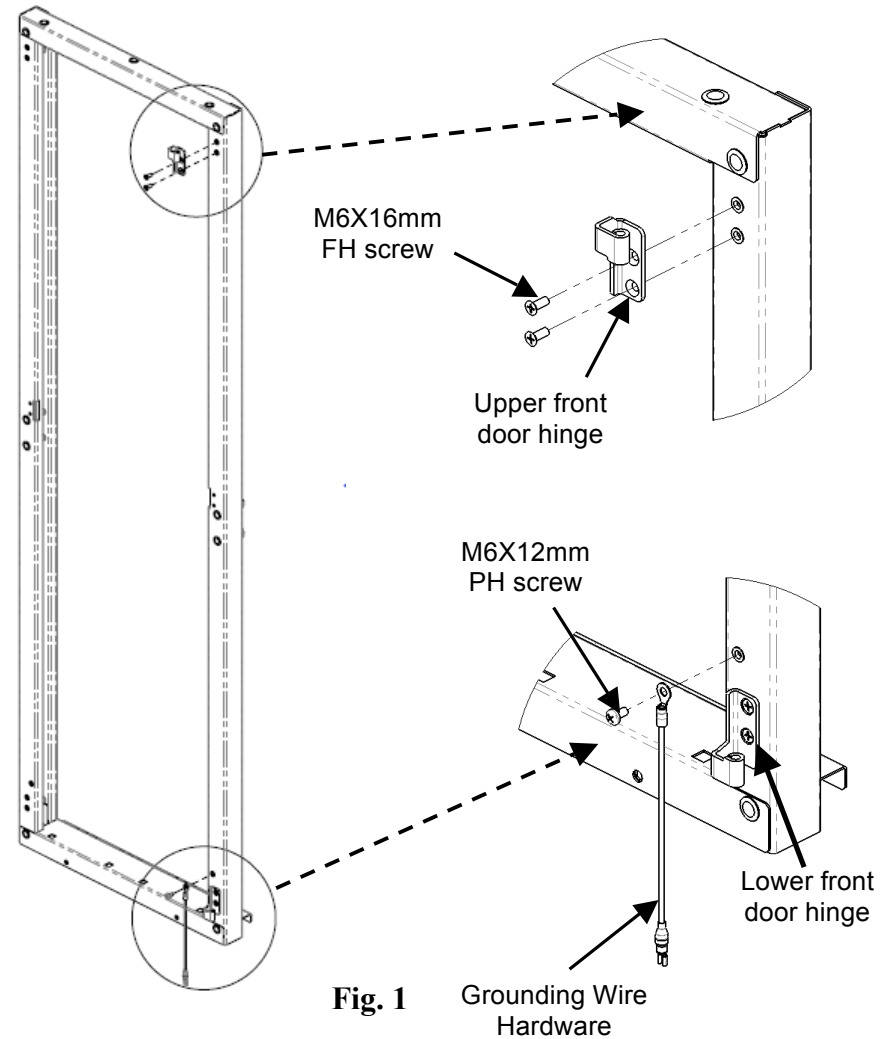
#2 Phillips screwdriver

Assembly Notes:

A bonding jumper wire, bonding connection points, and attaching hardware are provided for electrically bonding the door to the cabinet frame.

Assembly Sequence:

1. Decide how you want the door to open – hinges on left or hinges on right.
2. Attach each hinge to the frame with two M6 X 16 mm flat head screws in orientation shown (Fig. 1). (Hinge orientation is opposite if placing hinges on the left.)



IIS-739090, 02/18/13, Rev. 1, CPI/JAG
800-834-4969 (USA & Canada) • www.chatsworth.com • techsupport@chatsworth.com
For international phone numbers, see our website or contact CPI Tech Support.

This drawing contains proprietary and confidential information and is protected by U.S. and international law. Unauthorized reproduction, disclosure or use of the drawing or the information therein is expressly forbidden except as agreed to in writing by Chatsworth Products, Inc.

Installation Instructions

GLOBALFRAME FRONT DOOR

3. Orient the front door perpendicular to the cabinet, with the upper part of the door tilted sideways slightly away from the cabinet (Fig. 2).
4. Carefully lower the door onto the lower hinge. Be sure that the hinge pin aligns correctly with the hinge pivot axis in the door frame (Fig. 3).
5. Bring the door frame vertical and align the upper hinge pin with the hinge pivot axis in the door frame. Engage the upper hinge pin in the door by pulling down on the spring loaded hinge pin handle. Make sure pin is fully engaged with hinge (Fig. 4).
6. Using an M6 X 12 mm pan head screw, attach the end of the bonding jumper wire with the ring terminal to the frame stud nearest to the bottom door hinge. Orient ring terminal as shown when tightening screw (Fig. 5).
7. Electrically bond the door to the cabinet frame by plugging the quick-connect end of the bonding jumper wire onto the quick-disk tab nearest the lower door hinge (Fig. 5).
8. To remove the door, unplug the quick-connect end of the bonding jumper wire from the door. Open the door perpendicular to the cabinet. Pull down on the handle of the upper hinge pin. Tilt the door away from the upper hinge and lift door up off lower hinge to remove.

