

Installation Instructions

AIR DIRECTOR

Included Hardware

M6X10mm Hex Screw, 2 ea.

M6 Drop-In-Nut, 2 ea.

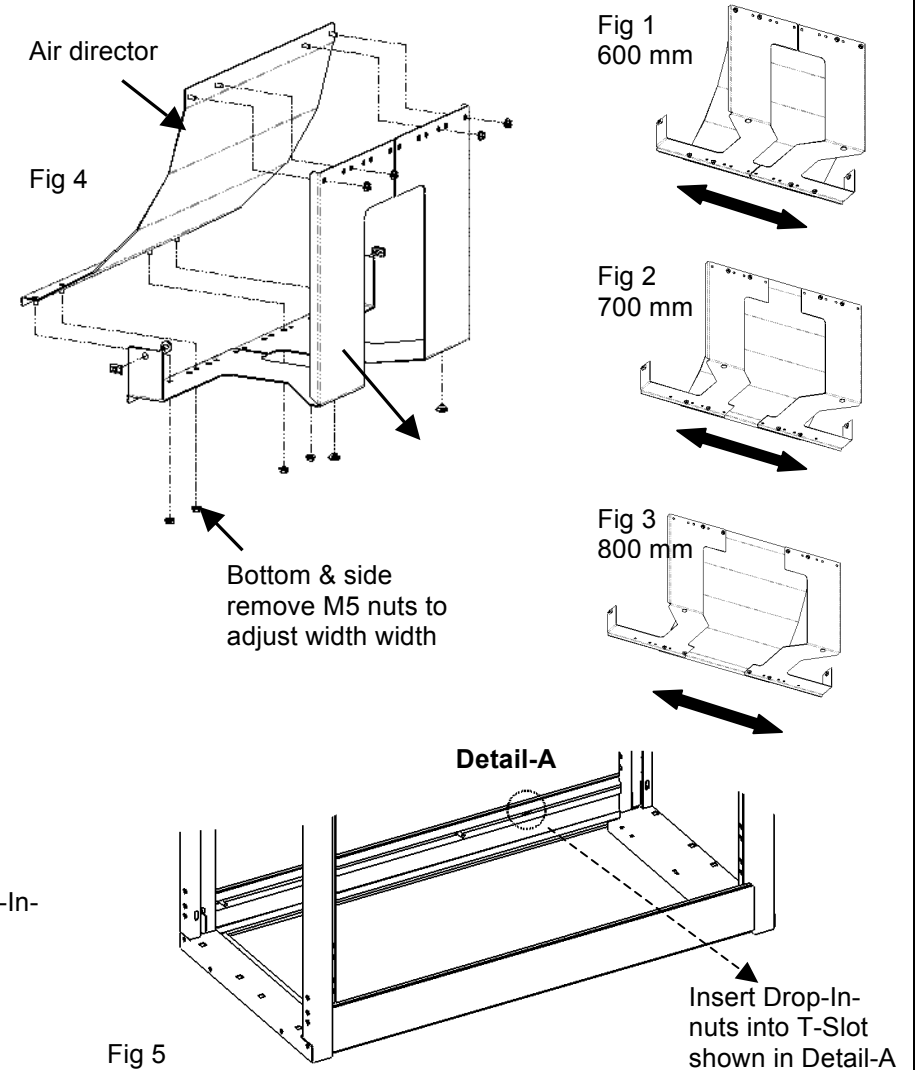
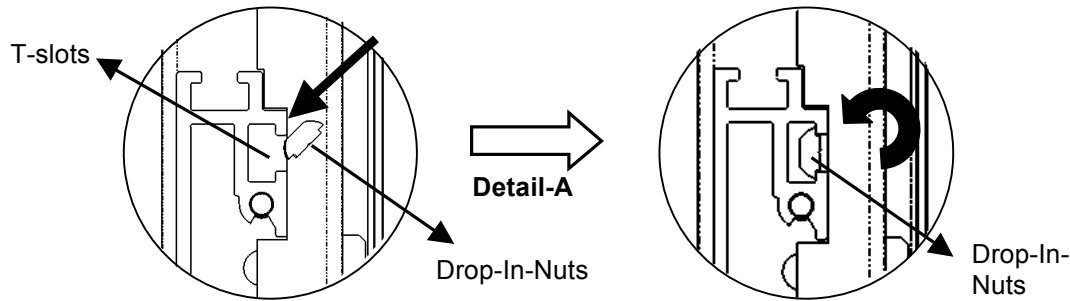
Tools Required

10mm wrench

8 mm wrench

Assembly Sequence

1. The Air Director can be installed in 600mm, 700mm & 800mm wide cabinet configurations. The Air Director comes preassembled in the 600mm configuration (Fig 1). To change width: remove the M5 nuts (Fig 4), move the bracket outward and reinstall M5 nuts to respective hole positions to match the 700mm (Fig 2) or 800mm (Fig 3) cabinet.
2. Attach Air Director to the frame: Install the M6 Drop-In nuts in the upper T-slots of the lower slide as shown in (Fig 5). Position the Air Director as shown in (Fig 6, page 2) and install the M6x10 Hex Screw through side flange holes and into the drop-in nuts. The director is adjustable front to back. Push the Air Director to the rear until the bracket is resting on the rear frame. Tighten the M6 screws.



IIS-739107, 02/18/13, Rev. 1, CPI/JAG

800-834-4969 (USA & Canada) • www.chatsworth.com • techsupport@chatsworth.com

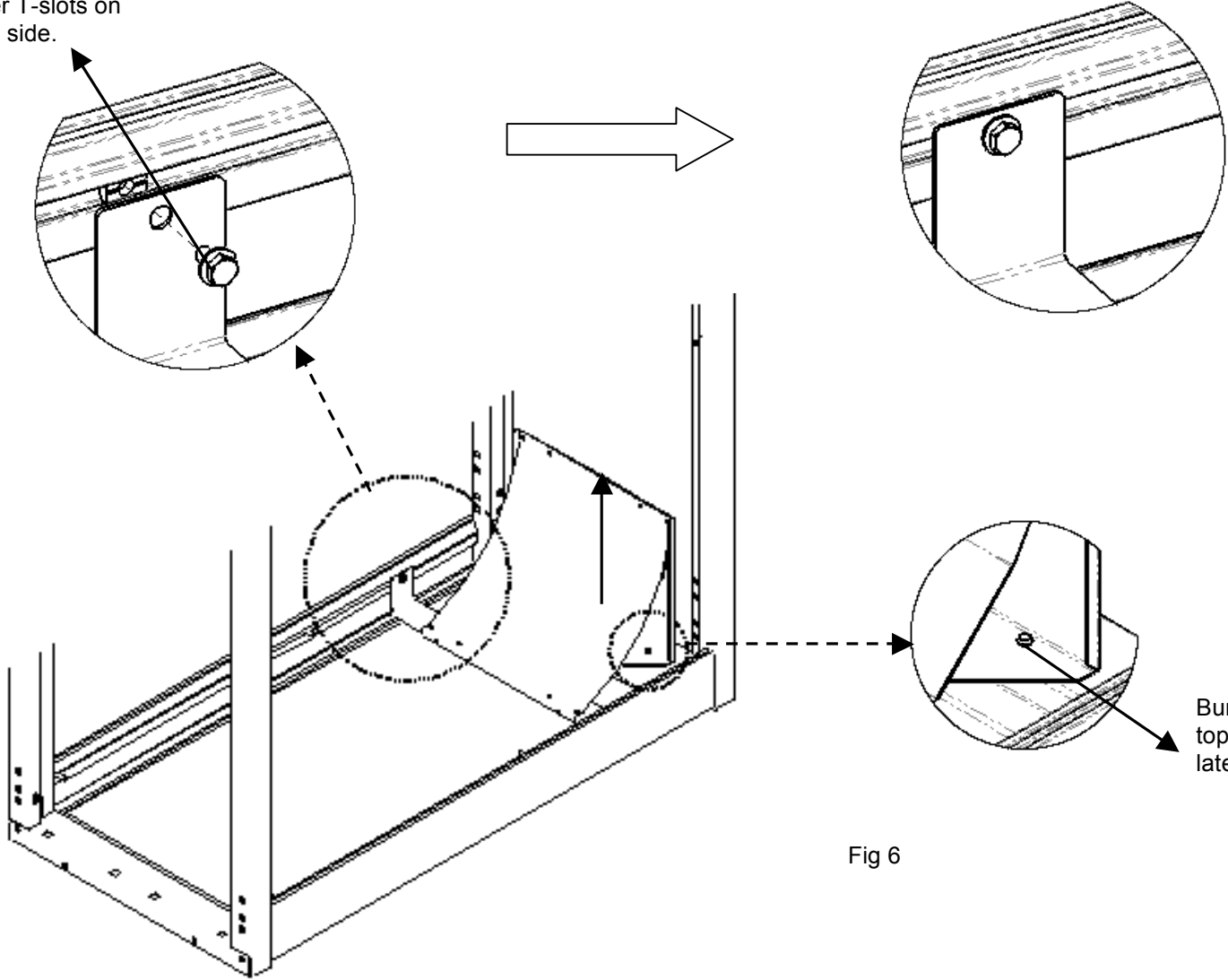
For international phone numbers, see our website or contact CPI Tech Support.

This drawing contains proprietary and confidential information and is protected by U.S. and international law. Unauthorized reproduction, disclosure or use of the drawing or the information therein is expressly forbidden except as agreed to in writing by Chatsworth Products, Inc.

Installation Instructions

AIRFLOW DIRECTOR

M6X10 Hex
Screw installed in
upper T-slots on
each side.



Bumpers rest on
top of frame
lateral.

Fig 6