

# Installation Instructions

## STANDARD PDU BRACKET KIT

### Safety Information:



**WARNING:** Improper use of this product may lead to serious injury. Read and understand all instructions for proper installation and use of this product.



**WARNING:** When installing PDU, ensure power cords are routed and secured to prevent risk of cords getting pinched.



**WARNING:** Do not ship cabinet with PDU's installed using the standard PDU bracket. For shipping PDU's pre-installed in cabinet, use the full height PDU manager (39086-XXX).

### Included Hardware:

M6 Cage Nut 1/8 turn, 4 ea.  
M6X12mm Screw, 4 ea.

### Tools Required:

#3 Phillips screw driver.

### Assembly Sequence:

PDU bracket Installation for 024-739110 :

1. Determine desired location of PDU bracket (bracket is shown in the default location, but may be located on any vertical frame member).
2. Install "M6 nut 1/8 Turn" to the square hole on the frame (Fig. 1).

### M6 1/8 turn front mount cage nut installation:

Push cage nut into square hole, and rotate 1/8<sup>th</sup> turn to lock (see Fig. 2).

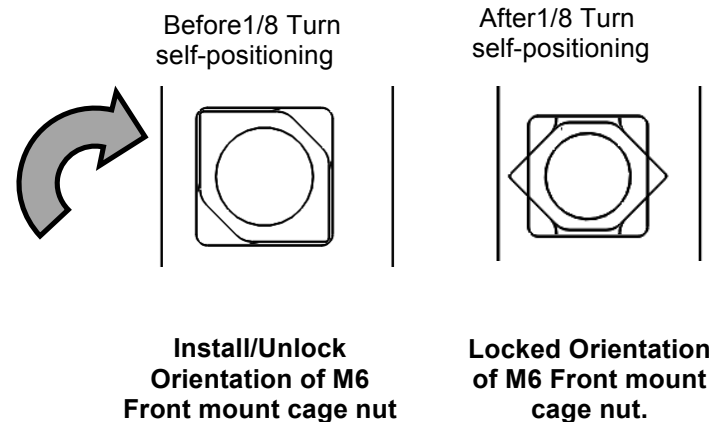


Fig. 1



IIS-739110, 8/4/14, Rev. 4, CPI/JAG/JL

800-834-4969 (USA & Canada) • [www.chatsworth.com](http://www.chatsworth.com) • [techsupport@chatsworth.com](mailto:techsupport@chatsworth.com)

For international phone numbers, see our website or contact CPI Tech Support.

*This drawing contains proprietary and confidential information and is protected by U.S. and international law. Unauthorized reproduction, disclosure or use of the drawing or the information therein is expressly forbidden except as agreed to in writing by Chatsworth Products, Inc.*

# Installation Instructions

## STANDARD PDU BRACKET KIT

3. Position PDU bracket on vertical frame member (Fig. 2).
4. Attach PDU bracket with two M6X12mm screws.
5. Repeat above steps for second PDU bracket (Fig. 2)

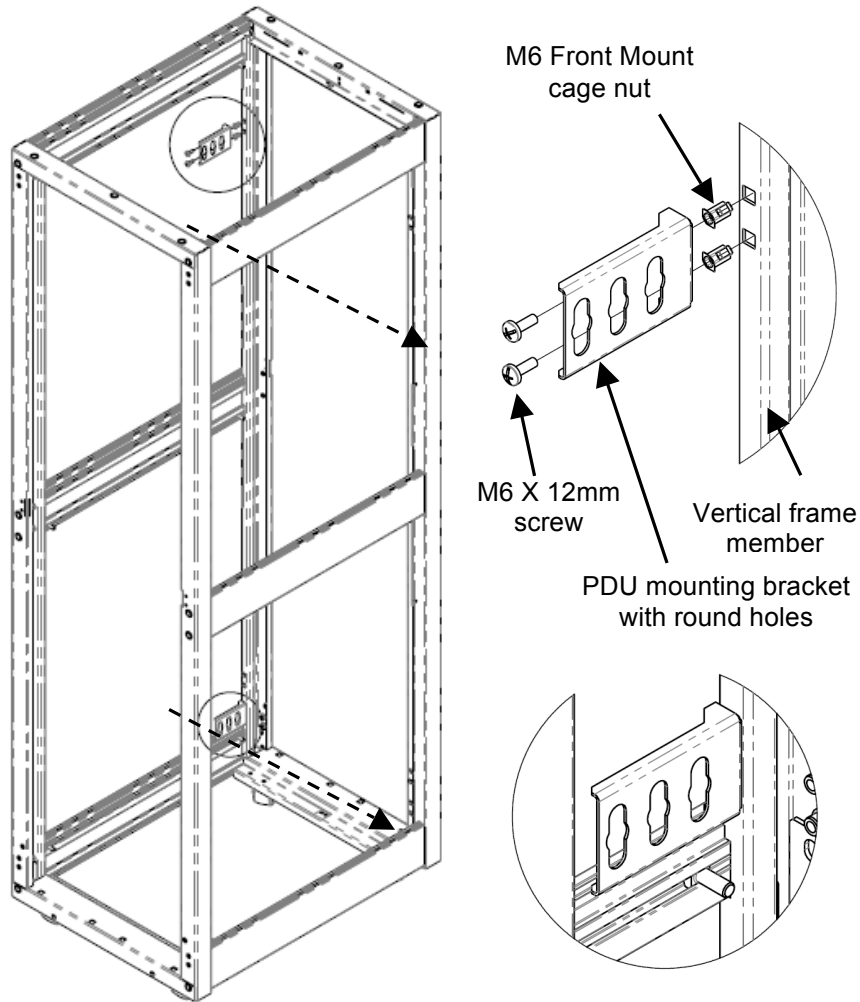


Fig. 2