

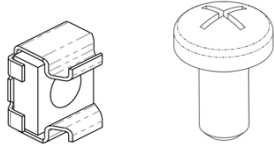
Installation Instructions

FINGER CABLE MANAGER, FOR 600W CABINETS

FINGER CABLE MANAGER INSTALLED WITH CAGE NUT: (Fig. 1 to Fig. 3)

Included Hardware:

M6 cage nut, 4 ea.
M6 X 12mm PH screw, 4 ea.



Tools Required:

#3 Phillip screw driver.
Cage Nut Tool

Assembly Notes:

The equipment mounting rail must be set back a minimum distance 7.58" (193mm) for Finger Cable Manager Installation (Fig. 2)

Installation Instructions

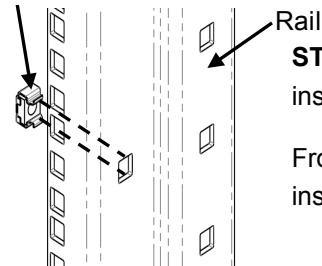
The Finger Cable Manager attaches to the equipment mounting rail (Fig. 2).

1. To install cage nut into the rail RMU hole using cage nut insertion tool (Fig. 1)
2. Attach each Finger cable manager bracket to the side of the Equipment mounting rail with two M6 X 12 mm PH screw (Fig. 3).
3. For cabinets that have odd numbers of rack-mount spaces (43U, 45U, etc.), use the middle of the three holes on the Finger Cable Manager bracket.

There will be an empty U space at the center of the rail (Fig. 2, detail). If desired, the top or bottom finger section can be shifted up or down 1U space so that the empty space is at the top or bottom of the rail (Fig. 3).

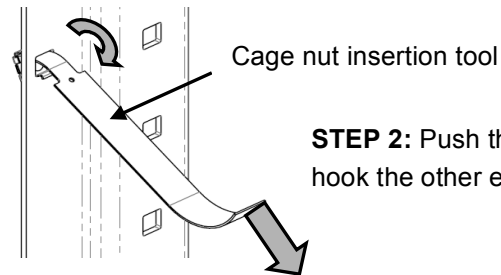
To install a cage nut with the cage nut insertion tool:

M6 Cage nut

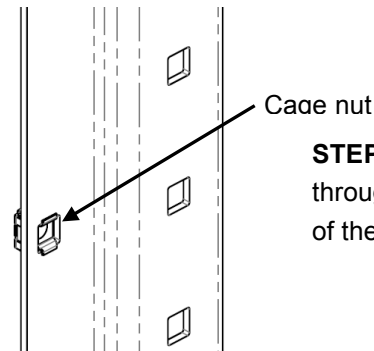


STEP 1: Determine the hole in which you want to install the cage nut.

From the inside of the rack mounting flange, insert one edge of the cage nut into the hole.



STEP 2: Push the tool through the hole and hook the other edge of the cage nut.



STEP 3: Pull the tool and the cage nut back through the hole to complete the installation of the cage nut.

Fig. 1



IIS-739120, 02/26/15, Rev. 3, CPI/JAG/MR
800-834-4969 (USA & Canada) • www.chatsworth.com • techsupport@chatsworth.com
For international phone numbers, see our website or contact CPI Tech Support.

This drawing contains proprietary and confidential information and is protected by U.S. and international law. Unauthorized reproduction, disclosure or use of the drawing or the information therein is expressly forbidden except as agreed to in writing by Chatsworth Products, Inc.

Installation Instructions

FINGER CABLE MANAGER, FOR 600W CABINETS

For all rails with odd numbers of U, there will be one open U space (45U shown)

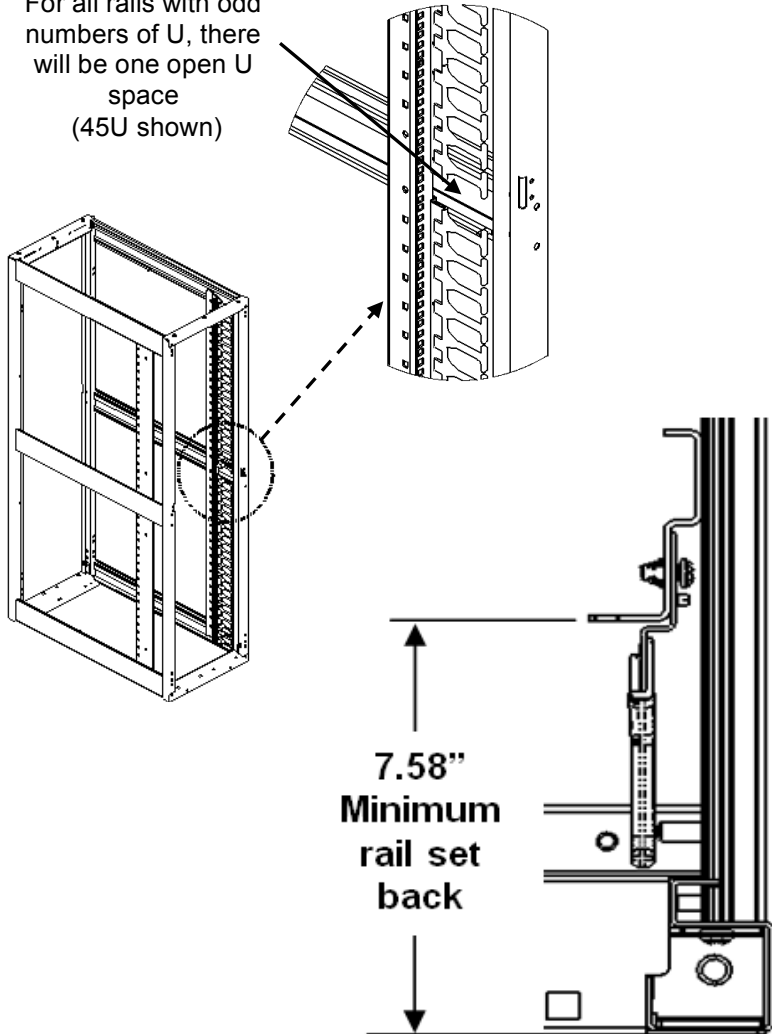


Fig. 2

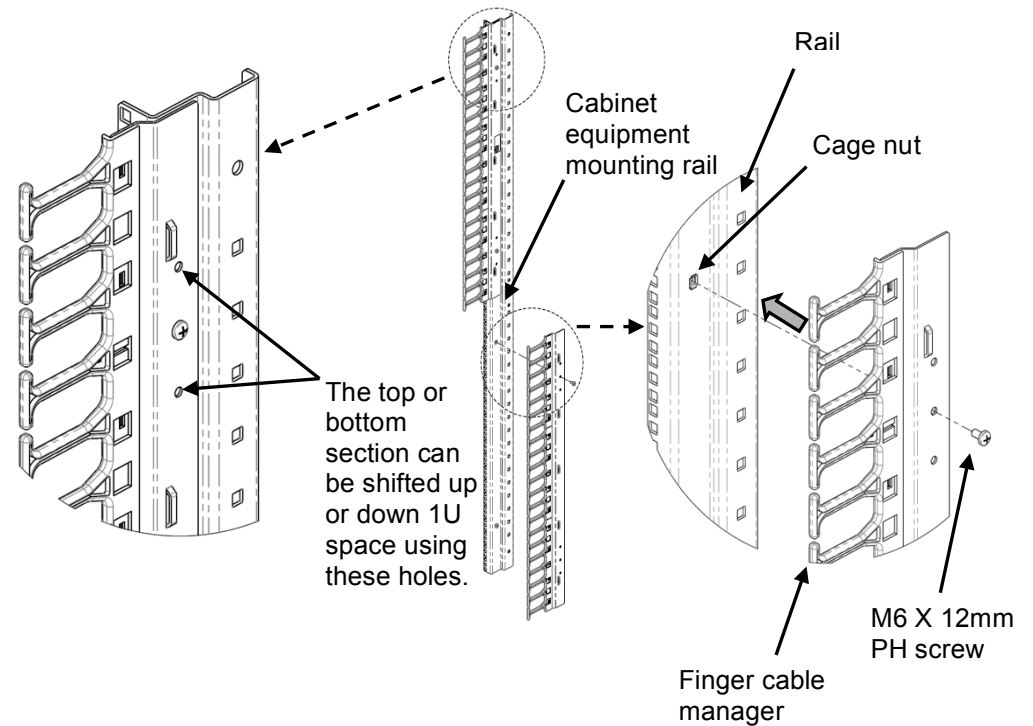


Fig. 3