

Installation Instructions

BAYING BRACKET KIT

Included Hardware:

M8 Hex Flange Nut, 4 ea.

M8 Hex Head Flange Screw, 4 ea.

Tools Required:

13mm wrench.

Assembly Sequence:

1. Determine bracket orientation (Fig. 1)
2. Remove hole plugs before installing Baying kit (Fig. 2).

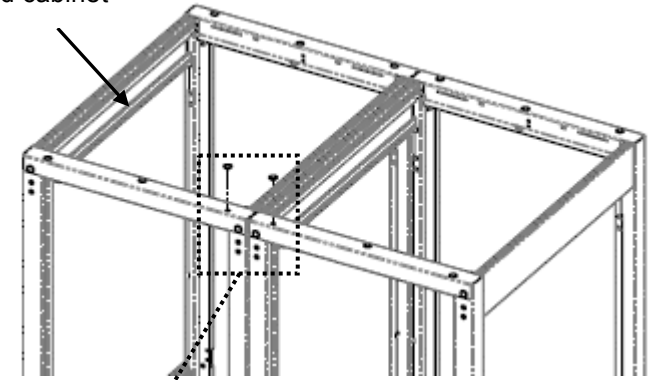
Fig.1

Use outer holes for 600mm cabinet if using 24" spacing



Use inner holes for ALL other applications

Bayed cabinet



Hole plug

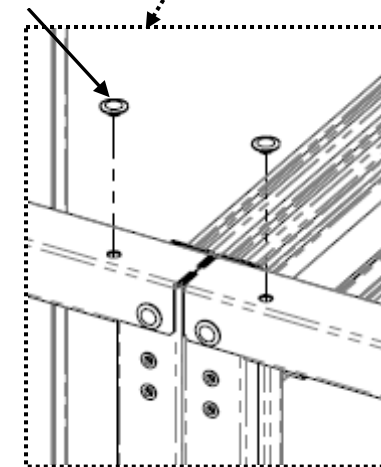


Fig. 2



CHATSWORTH PRODUCTS

IIS-739125, 06/18/15, Rev. 2, CPI/JAG/MJR

800-834-4969 (USA & Canada) • www.chatsworth.com • techsupport@chatsworth.com

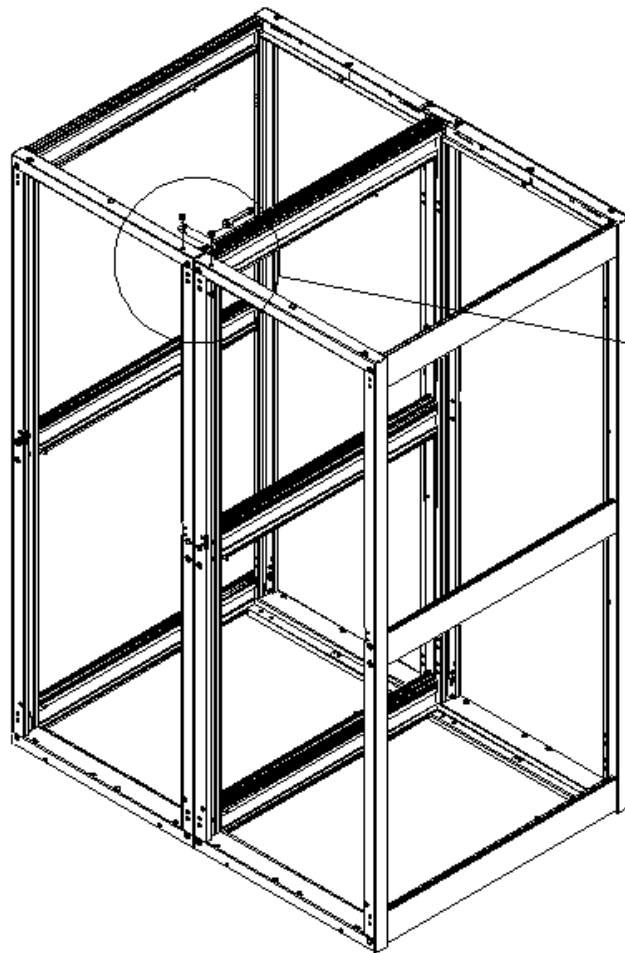
For international phone numbers, see our website or contact CPI Tech Support.

This drawing contains proprietary and confidential information and is protected by U.S. and international law. Unauthorized reproduction, disclosure or use of the drawing or the information therein is expressly forbidden except as agreed to in writing by Chatsworth Products, Inc.

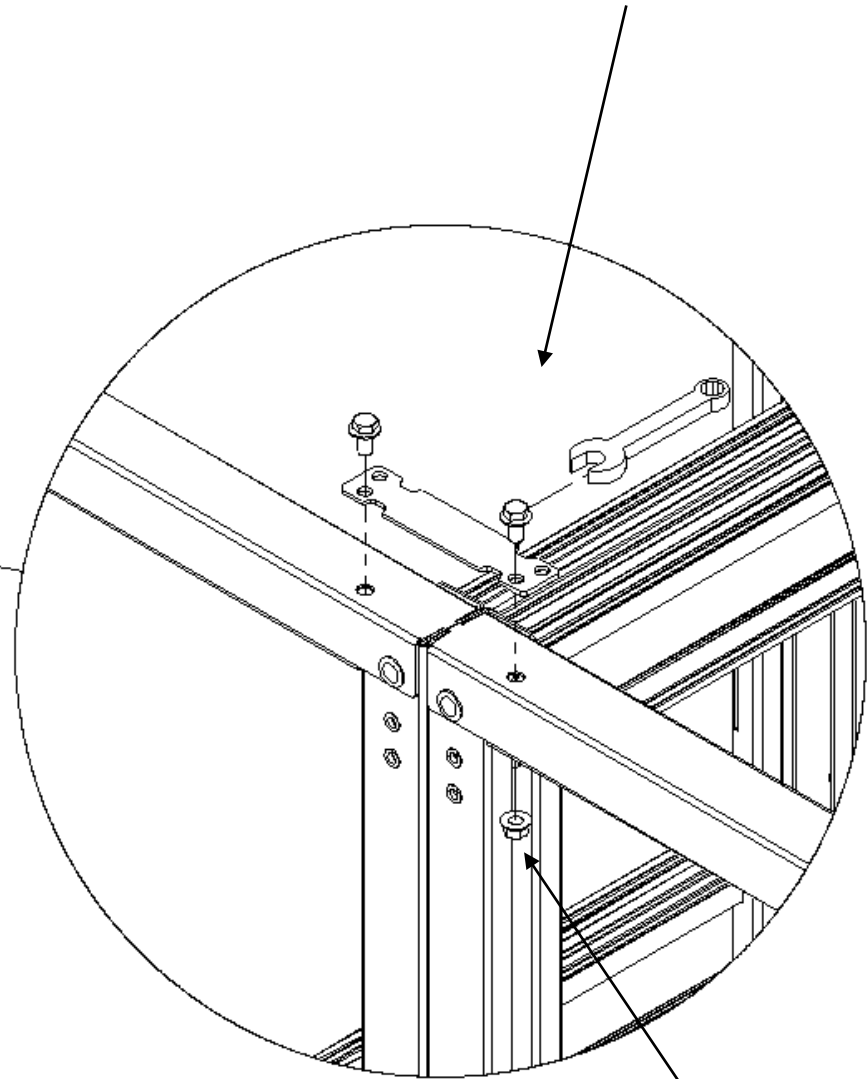
Installation Instructions

BAYING BRACKET KIT

3. Align the appropriate bracket holes with the holes on top of frame. Assemble bracket to frame with bolts on outside and nuts on inside of frame. Hold nut against inside frame with finger, and tighten bolt with 13mm wrench. Torque to 36 in-lbs [400 N-cm] or 1/4 turn max after seating.
4. Repeat using bracket at top of frame on rear side.



Use 13mm wrench to tighten screws.



Hold serrated nut against frame with finger