

Installation Instructions

RING CABLE MANAGER, FOR 4-SLIDE 600W CABINET

Included Hardware:

M6 X 10 mm Hex Screw, 2 ea.

M6 Drop-In-Nut, 2 ea.

Tools Required:

10 mm socket wrench

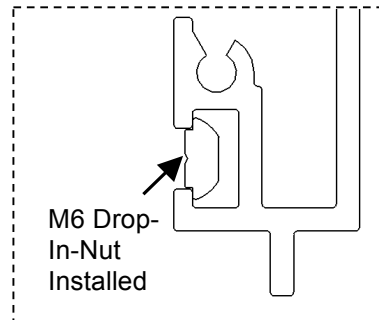
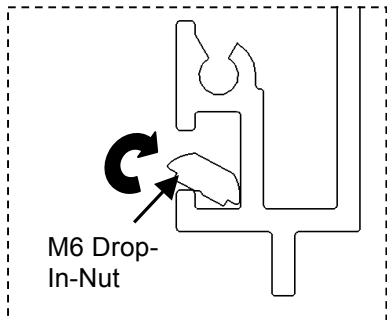
Assembly Notes:

The equipment mounting rail must be setback a minimum distance 9.1" (231 mm) for Ring Cable Manager installation as shown in (Fig. 2) and (Fig. 3).

Installation Instructions

The Ring Cable Manager (Fig.1) attaches to the cabinet slides (Fig 2).

1. Position the Ring Cable Manager at the desired location along the cabinet slides.
2. Insert M6 Drop-in-Nuts in the slides as shown below. Fasten the Ring Cable Manager using M6 X 10 mm screws into the Drop-In-Nuts (Fig 2 detail).



M6 Drop-In-Nut Installation

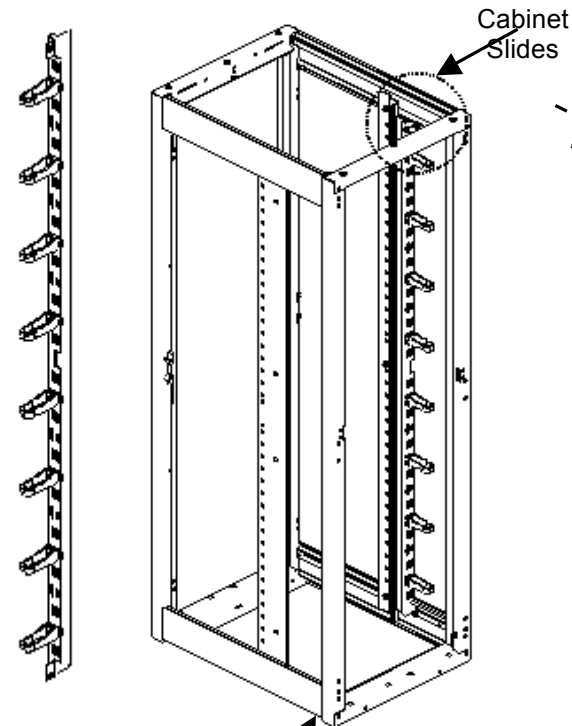


Fig. 1
Ring Cable
Manager
(600 mm W)

Fig. 2

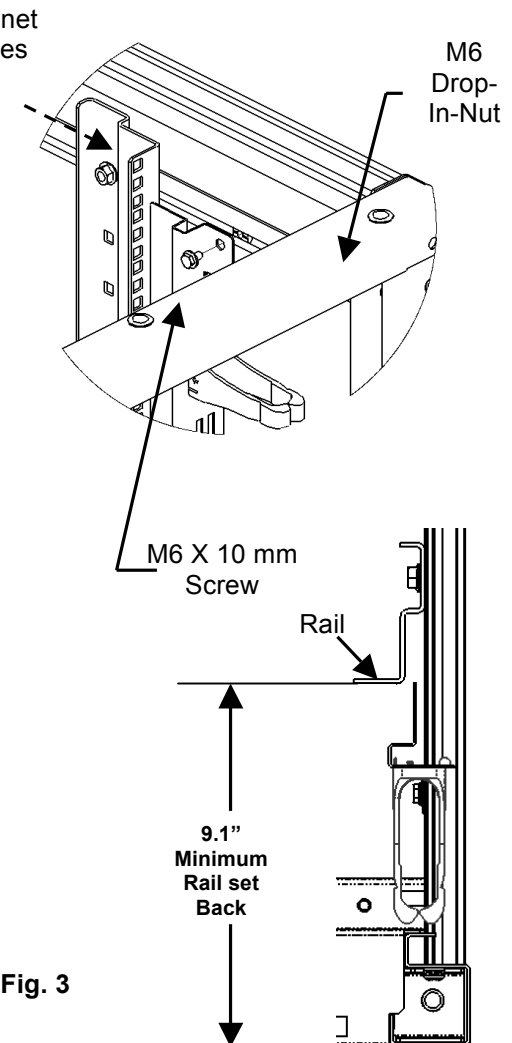


Fig. 3



IIS-739127, 02/18/13, Rev. 1, CPI/JAG

800-834-4969 (USA & Canada) • www.chatsworth.com • techsupport@chatsworth.com

For international phone numbers, see our website or contact CPI Tech Support.

This drawing contains proprietary and confidential information and is protected by U.S. and international law. Unauthorized reproduction, disclosure or use of the drawing or the information therein is expressly forbidden except as agreed to in writing by Chatsworth Products, Inc.