

Installation Instructions

RING CABLE MANAGER, FOR 4-SLIDE, 800W CABINET

Included Hardware:

M6 X10mm Hex Screw, 2 ea.

M6 Drop-In-Nut, 2 ea.

Tools Required:

10 mm socket wrench

Assembly Notes:

The equipment mounting rail must be set back a minimum distance 6.36" (162 mm) for Ring Cable Manager installation as shown in (Fig. 2) and (Fig. 3).

Installation Instructions

The Ring Cable Manager (Fig.1) attaches to the cabinet slides (Fig 2).

1. Position the Ring Cable Manager at the desired location along the cabinet slides.
2. Insert M6 Drop-in-Nuts in the slides as shown below. Fasten the Ring Cable Manager using M6 X 10 mm screws into the Drop-In-Nut (Fig 2 detail).

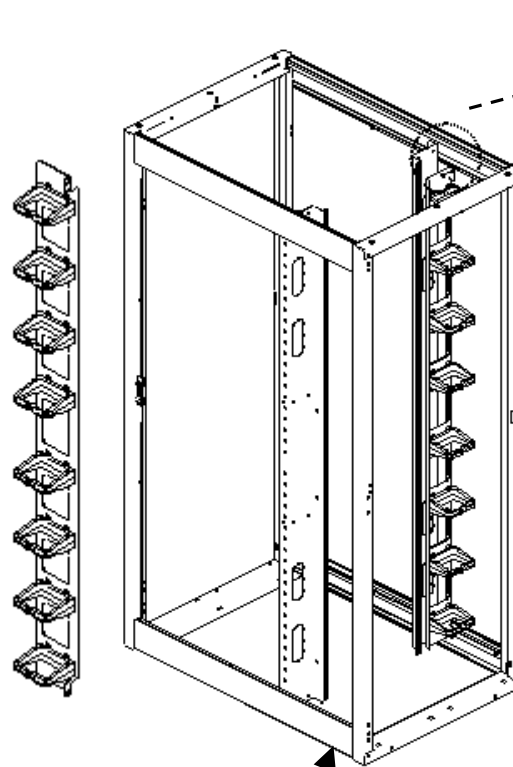
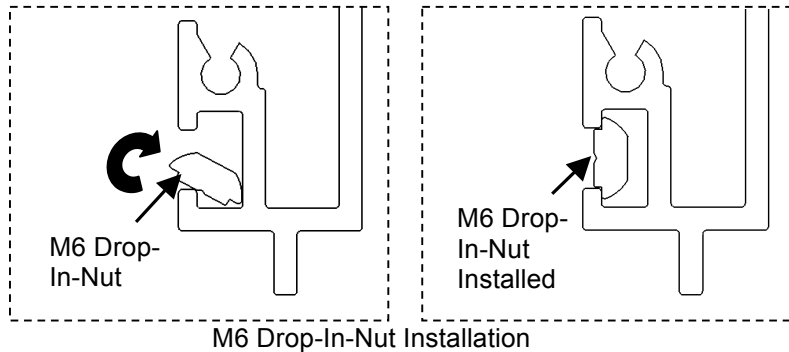
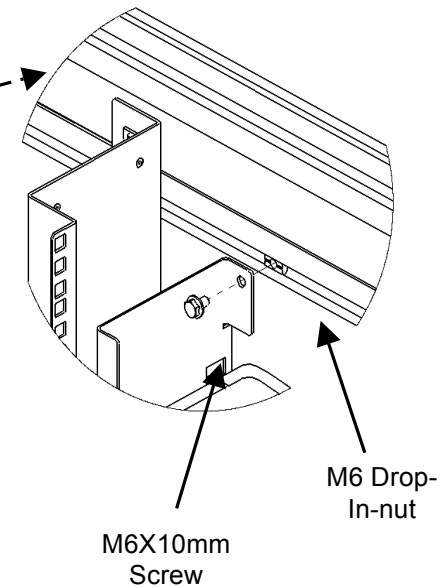


Fig. 1
Ring Cable
Manager
(800 mm W)

Rail

Fig. 2



M6X10mm
Screw

M6 Drop-
In-nut

Rail

6.36"
Minimum
Rail set
Back

Fig. 3



IIS-739129, 02/18/13, Rev. 1, CPI/JAG

800-834-4969 (USA & Canada) • www.chatsworth.com • techsupport@chatsworth.com

For international phone numbers, see our website or contact CPI Tech Support.

This drawing contains proprietary and confidential information and is protected by U.S. and international law. Unauthorized reproduction, disclosure or use of the drawing or the information therein is expressly forbidden except as agreed to in writing by Chatsworth Products, Inc.