

Installation Instructions

AIR DAM, FOR 4-SLIDE CABINET

Included Hardware:
M6 X 10mm Hex Screw, 4 ea.
M6 Drop-In-Nut, 4 ea.

Tools Required:
10mm socket wrench

Assembly Notes:

1. Air dam is comprised of one top bracket, four rail seals, plugs (Fig.1) and bottom bracket (page 3).
2. Equipment mounting rails must be moved back approximately 5" (125mm) to install Air dam.

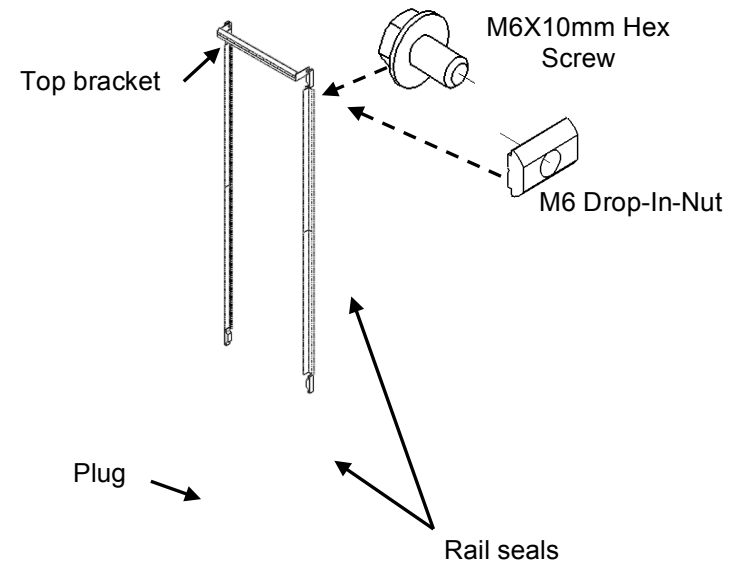


Fig. 1
Air Dam Assembly

Installation Instructions

AIR DAM, FOR 4-SLIDE CABINET

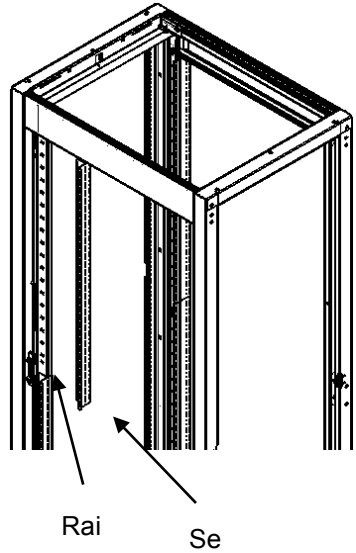
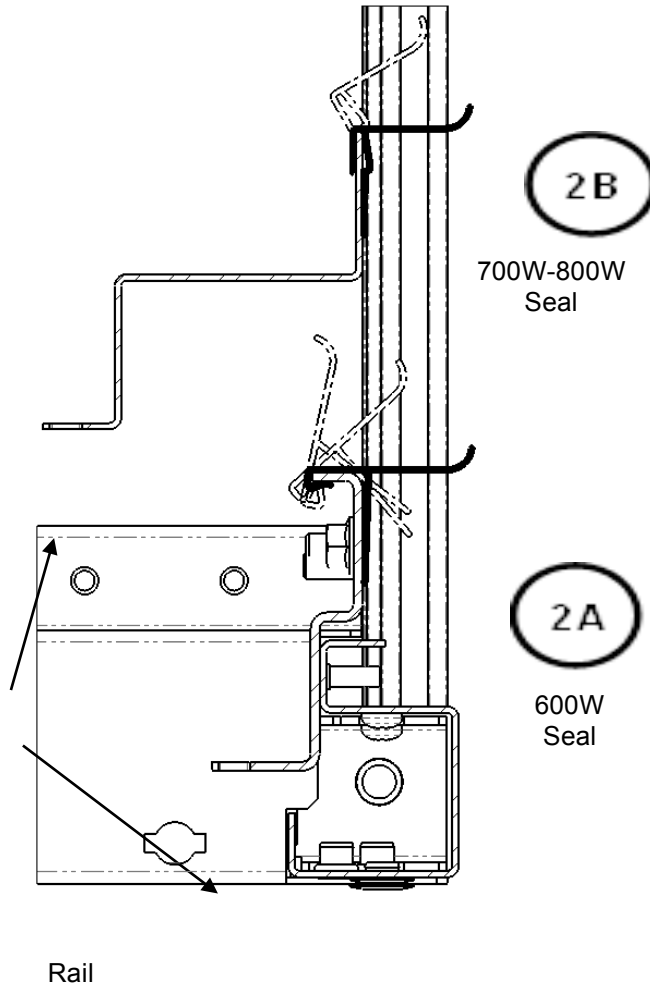


Fig. 2
Seal



Installation Instructions:

1. Align the rail seal with the rail (Fig. 2). For 600W rail, pull seal around rear flange until clip is engaged, as shown in Fig. 2A. For 700W-800W air dam, put seal onto edge and clip it over the half lance as shown in Fig. 2B.
2. Repeat step 1 for the other rail seals/rail.
3. Insert (4) Plugs in slide channels and push behind rails to block airflow between the slide and rails (Fig. 5).
4. Insert Drop-In Nuts in top slide for top bracket (Fig. 6).
5. Insert top bracket from behind the rails (Fig. 7).
6. Attach top bracket using M6 screws. Slide forward until over the rails and secure (Fig. 8).
7. For maximum performance, install the side panel, and slit seal material at top and bottom of panel so seal material lays flat against the side panel.

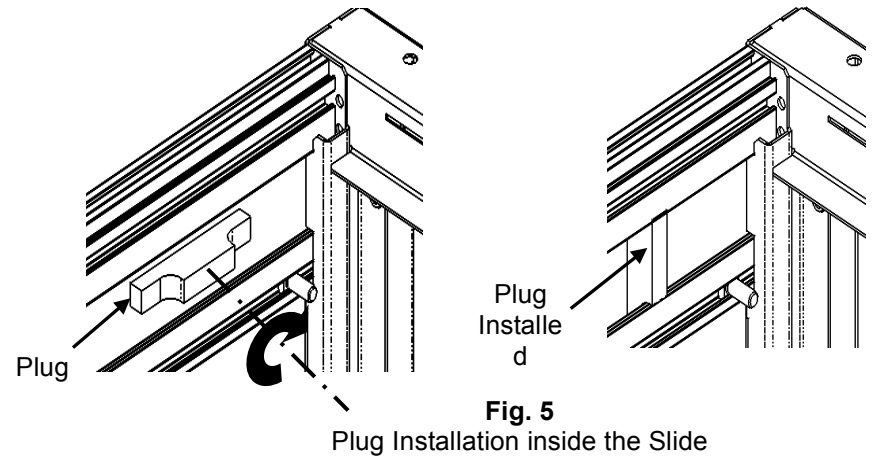


Fig. 5
Plug Installation inside the Slide

Installation Instructions

AIR DAM, FOR 4-SLIDE CABINET

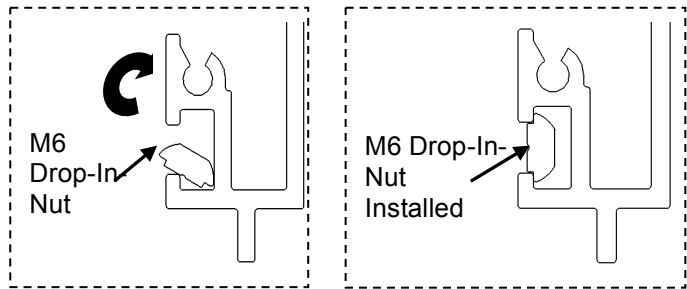


Fig. 6
M6 Drop-In-Nut Installation

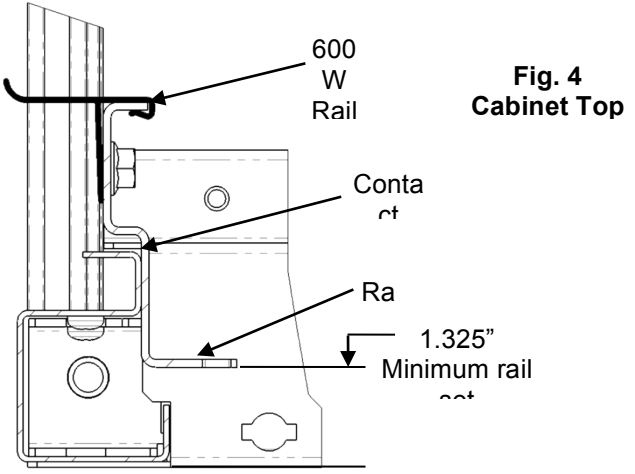


Fig. 4
Cabinet Top

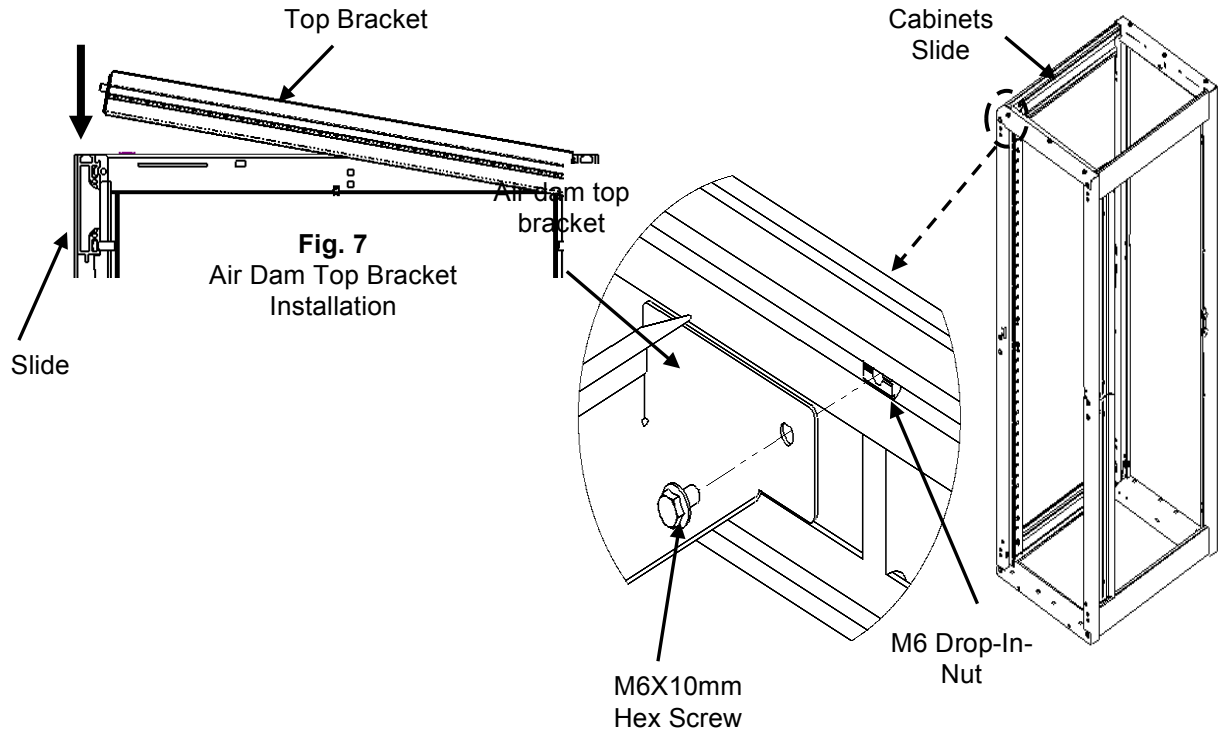


Fig. 7
Air Dam Top Bracket Installation

Fig. 8

Bottom bracket is **OPTIONAL**, discard if you have the full length bottom panel:



Installation Instructions

AIR DAM, FOR 4-SLIDE CABINET

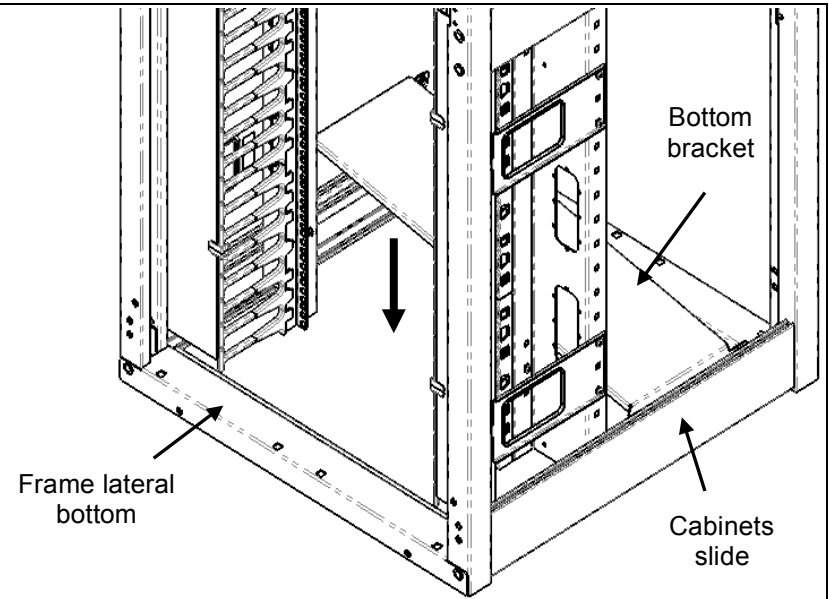
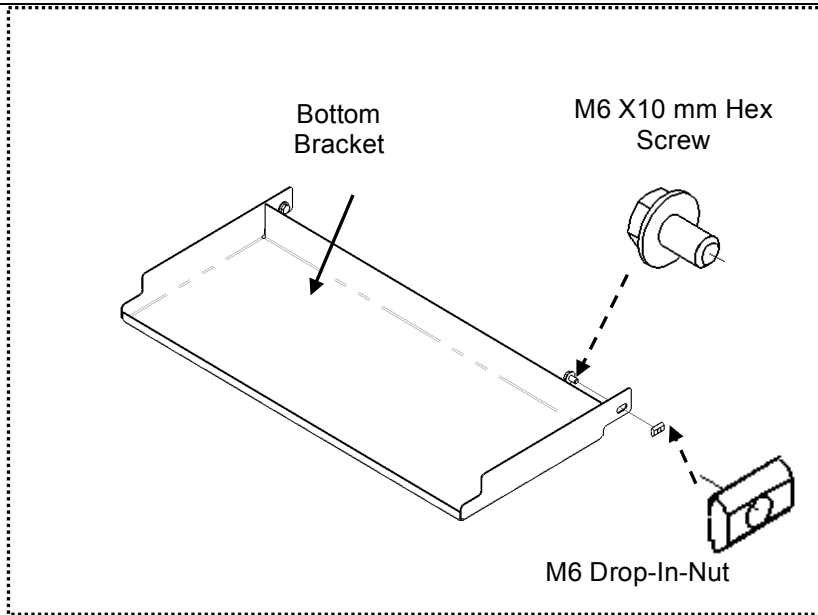


Fig. 9

8. Insert Drop-In Nuts in bottom slide for bottom bracket (Fig. 6).
9. Insert Bottom bracket from behind the rails at the bottom of the cabinet (Fig. 9).
10. Secure Bottom bracket using M6 screws (Fig. 10).

Installation Instructions

AIR DAM, FOR 4-SLIDE CABINET

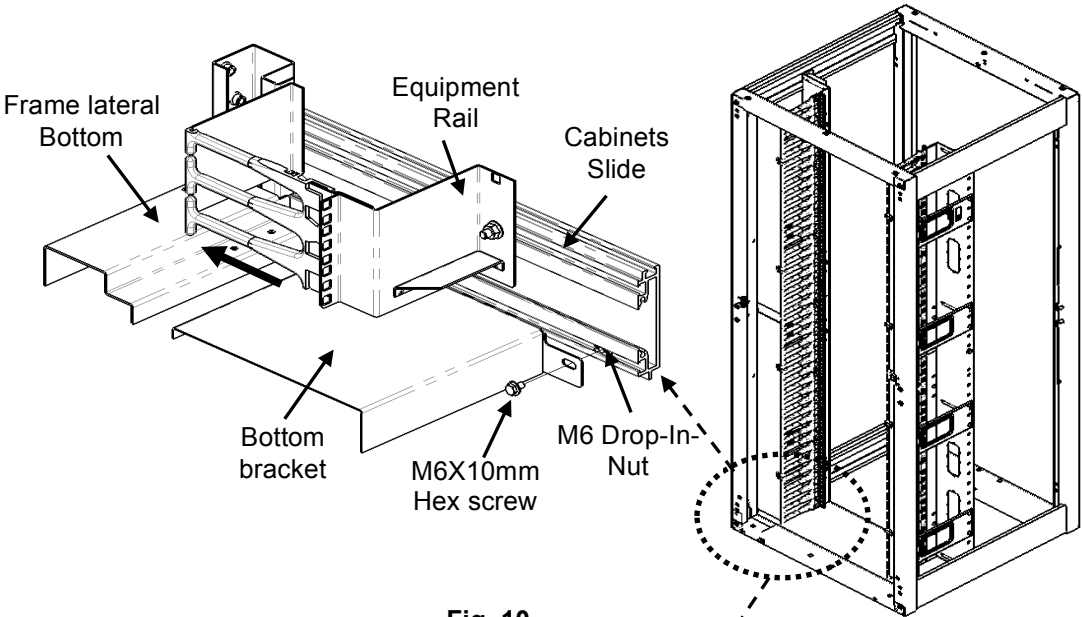


Fig. 10

