

Installation Instructions

CABLE LASHING BRACKET, FOR 4-SLIDE CABINETS

Included Hardware:

M6X10mm Hex Screw, 2 ea.

M6 Drop-In-Nut, 2 ea.

Tools Required:

10mm socket wrench

Assembly Notes:

The Cable Lashing Bracket provides attachment points for cable ties or Velcro straps (Fig. 3).

Installation Instructions

The Cable Lashing Bracket (Fig.1) attaches to the cabinet slides (Fig. 2).

1. Position the Cable Lashing Bracket at the desired location along the cabinet slides (In front of, behind or in between equipment rails).
2. Insert M6 Drop-in-Nuts in the slides as shown below. Fasten the bracket using M6X10mm screws into the Drop-In-Nut (Fig. 2, detail).
3. Secure cable bundles to the slots in the bracket (Fig 3.)

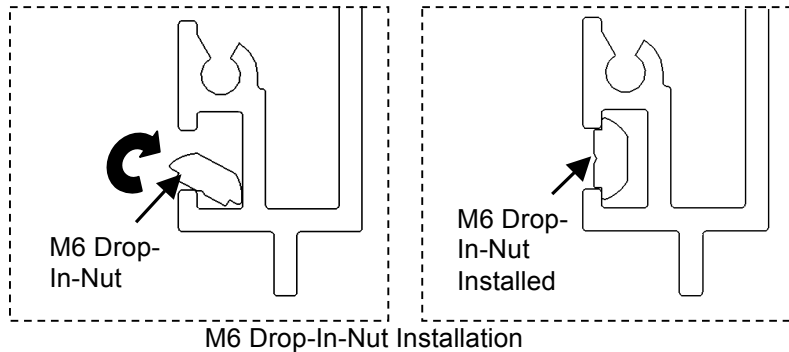


Fig. 1
Cable Lashing Bracket

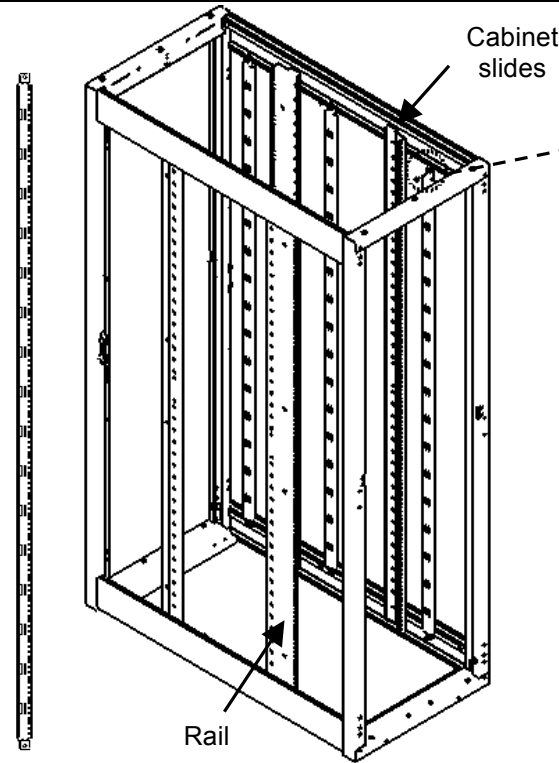
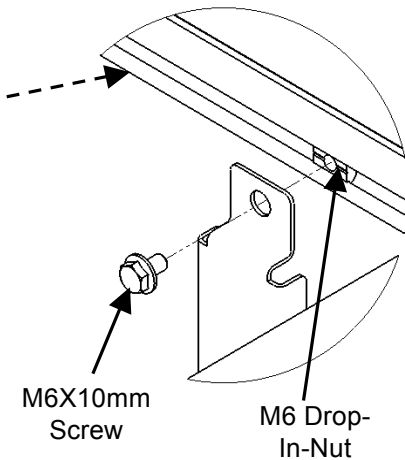
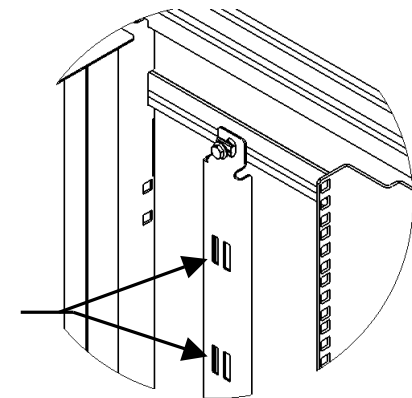


Fig. 2



Cables are attached to the bracket using cable ties or Velcro straps



IIS-739131, 02/18/13, Rev. 1, CPI/JAG

800-834-4969 (USA & Canada) • www.chatsworth.com • techsupport@chatsworth.com

For international phone numbers, see our website or contact CPI Tech Support.

This drawing contains proprietary and confidential information and is protected by U.S. and international law. Unauthorized reproduction, disclosure or use of the drawing or the information therein is expressly forbidden except as agreed to in writing by Chatsworth Products, Inc.