

Installation Instructions

BAYING SEAL KIT

Included Hardware

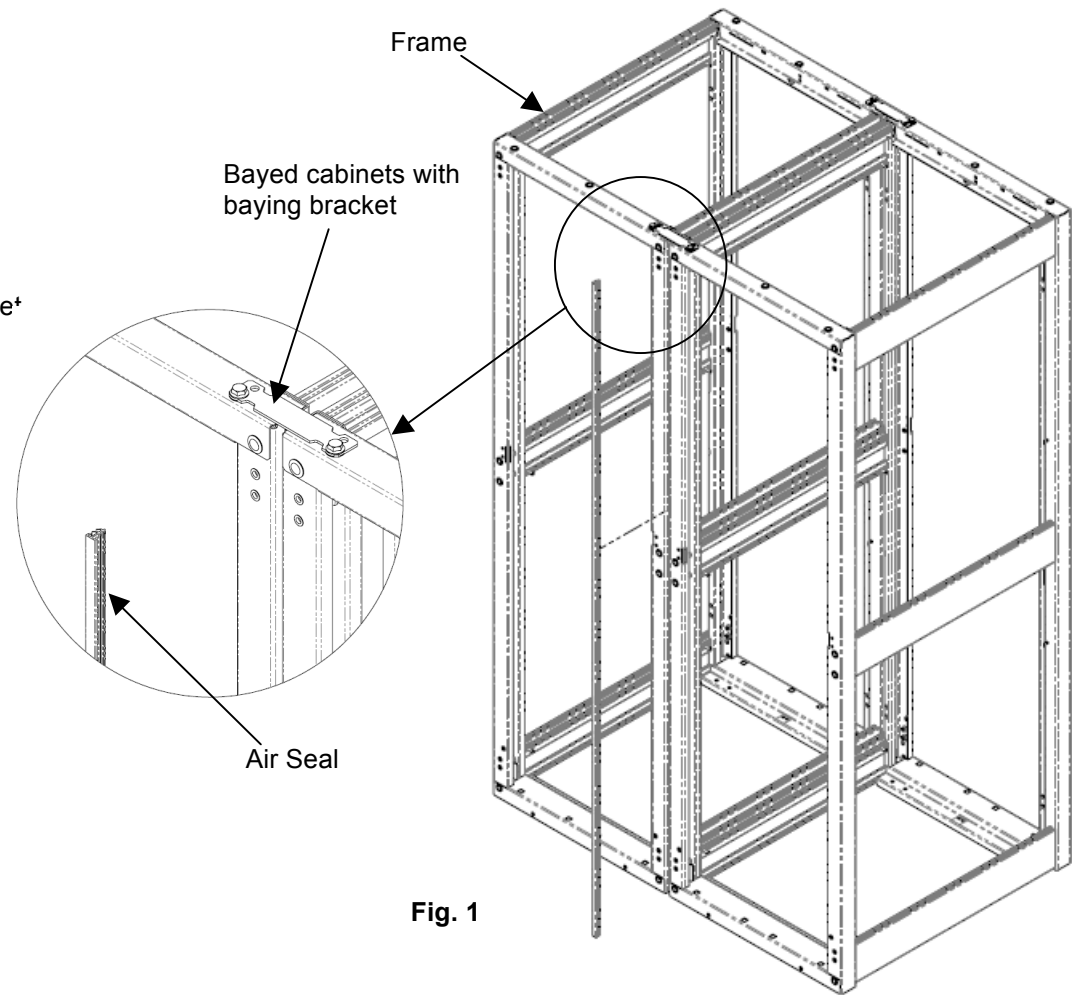
Air seal, 2 ea.

Tools Required

None

Assembly Sequence (Fig. 1)

1. Cabinets should be the same height and depth.
2. Ensure Baying Bracket Kit is properly installed to center cabinet on 24 inch spacing prior to installing air seals.
3. Place the air seal and push into the space between the two cabinets.
4. Repeat for the opposite side of the bayed cabinets.
5. Check that air seal is pushed in flush with frame.



IIS- 739137, 02/18/13, Rev. 1, CPI/JAG
800-834-4969 (USA & Canada) • www.chatsworth.com • techsupport@chatsworth.com
For international phone numbers, see our website or contact CPI Tech Support.

This drawing contains proprietary and confidential information and is protected by U.S. and international law. Unauthorized reproduction, disclosure or use of the drawing or the information therein is expressly forbidden except as agreed to in writing by Chatsworth Products, Inc.