

Installation Instructions

VERTICAL POWER STRIP 2-POST RACK BRACKETS

Safety Information



WARNING: Improper use of this product may lead to serious injury or death. Read and understand all instructions for proper installation and use of this product.

Intended Use

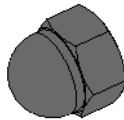
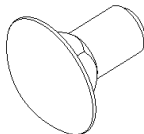
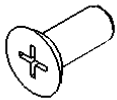
Attaches a CPI Vertical PDU Power Strip (P/N 356XX-XXX) to any EIA 2-Post Rack at least 37 RMU high.

Tools Required

Phillips screwdriver (with at least 6-1/2" blade)
3/8" socket/driver
Tape measure

Included Hardware

2 each #10 x 1/2" L screw 2 each shoulder washers 4 each #10 carriage bolts 4 each #10 acorn nuts

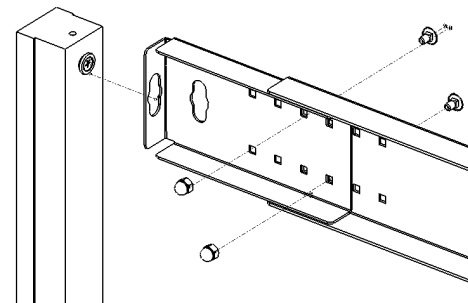
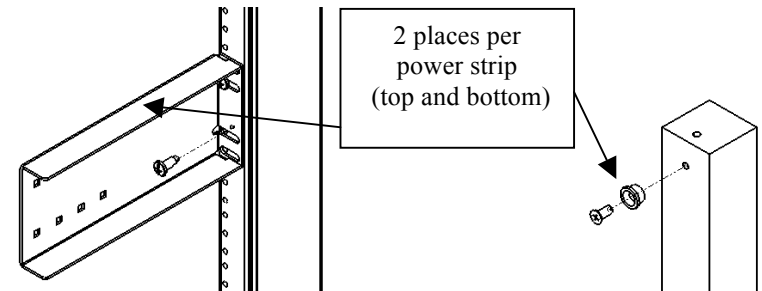


Installation Notes

Use this kit to install a CPI Vertical PDU Power Strip (P/N 356XX-XXX). The Power Strip attaches to the keyholes at the ends of brackets and can be oriented three different directions (outward or to the sides) depending on your installation requirements. Support brackets are adjustable in depth.

Assembly Sequence

1. Attach Brackets to the 2-Post Rack using appropriate rack-mount hardware (not included). Brackets must be spaced either 37 RMU (64.75 in) or 35 RMU (61.25 in) apart and will each use 2 RMU of rack-mount space.
2. Attach two shoulder washers to the back of the vertical power strip with included screws. The power strip has fixed attachment points; you can only install the shoulder washers 35 RMU or 37 RMU apart.
3. Attach the Adjustable Brackets using the carriage bolts and acorn nuts. Brackets can be adjusted up to 3-1/2 inches in .875 inch increments between 8-1/2 inches to 12 inches deep.
4. Pass shoulder washers through the large part of the keyhole slot in the side or front of the Adjustable Brackets; then lower the power strip so that the shoulder washer is captive and supported in the slot.



CHATSWORTH PRODUCTS, INC.

IIS-735611, 01/06/10, Rev.2, D Knapp, A Pae

800-834-4969 (USA & Canada) • www.chatsworth.com • techsupport@chatsworth.com

For international phone numbers, see our website or contact CPI Tech Support.

This drawing contains proprietary and confidential information and is protected by U.S. and international law. Unauthorized reproduction, disclosure or use of the drawing or the information therein is expressly forbidden except as agreed to in writing Chatsworth Products, Inc.