

Installation Instructions

FLOOR ANCHOR KIT

Parts List

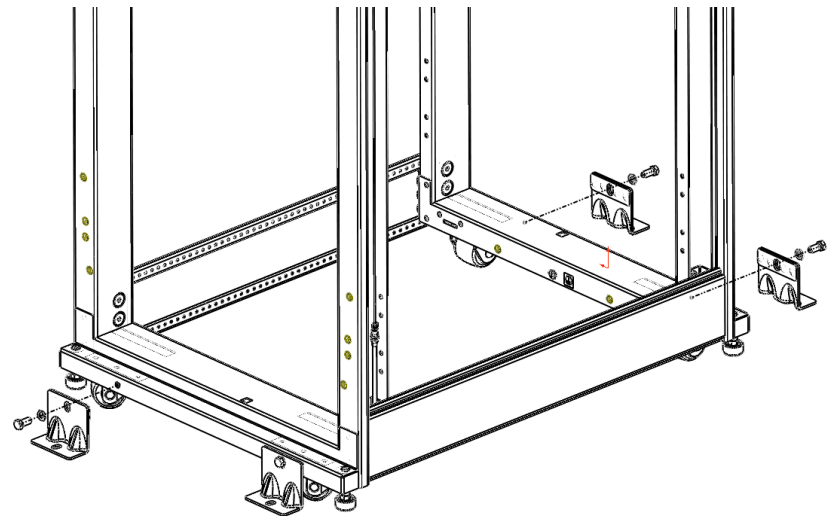
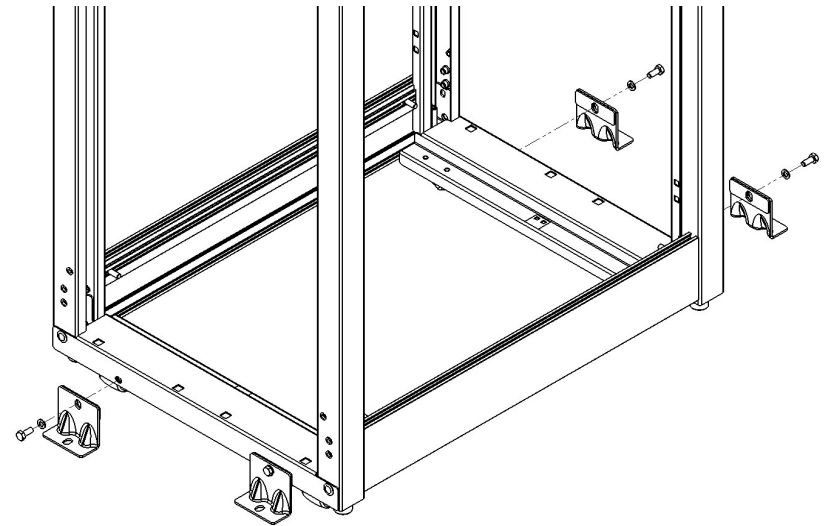
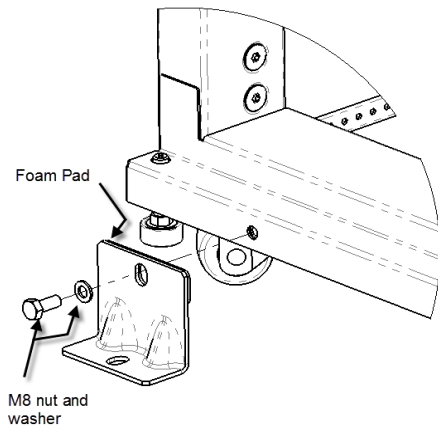
- 4 Floor anchors
- 4 M8 bolts
- 4 M8 washers

Installation Notes

Cabinets, whether standalone or bayed, must be anchored to the floor. Anchor the cabinet to access floor and slab installations, with cabinet leveled and casters in place.

Assembly Sequence

1. Ensure that the cabinet is level. Adjust if necessary using the 4 leveler nuts located in the lower corners of the frame.
2. Install the floor anchor brackets to cabinet frame as shown in figures using the M8 bolts and nuts provided. The foam pad on the bracket should be adjacent to the frame.
3. Attach the anchors to the floor with appropriate hardware for the type of floor (user provided).



CHATSWORTH PRODUCTS, INC.

IIS-725171, 09/27/11, Rev. 2, CPI/J GARZA

800-834-4969 (USA & Canada) • www.chatsworth.com • techsupport@chatsworth.com

For international phone numbers, see our website or contact CPI Tech Support.

This drawing contains proprietary and confidential information and is protected by U.S. and international law. Unauthorized reproduction, disclosure or use of the drawing or the information therein is expressly forbidden except as agreed to in writing by Chatsworth Products, Inc.