

Product Cut Sheet

6" (150 MM) CHANNEL RACK-TO-RUNWAY MOUNTING PLATE

Secures Cable Runway to the top of 6"D (150 mm) Standard Rack. Mounts either parallel or perpendicular to runway.

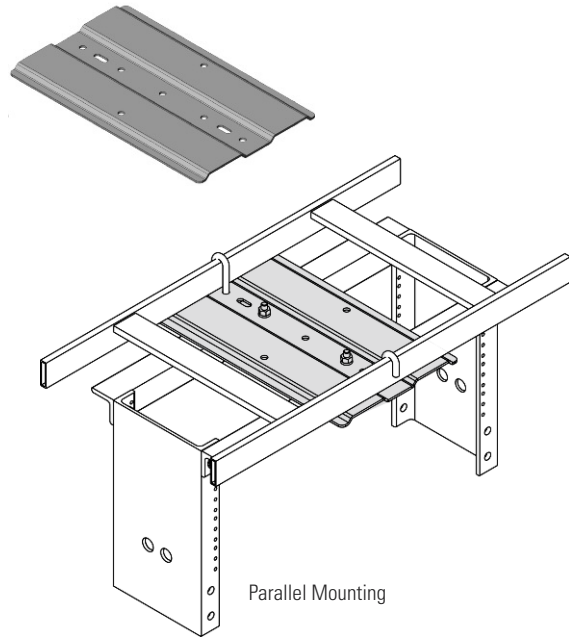
- Installation best practice includes Runway Elevation Kit (P/N 10506-XXX)

P/N 12121-XXX consists of:

- (1) mounting plate
- (4) 5/16-18 x 2 1/4" J-bolts
- (4) 5/16-18 hex nuts
- (4) 5/16 split lock washers

P/N 12409-X24 consists of:

- (1) mounting plate
- (2) 5/16-18 x 3 1/4" J-bolts
- (2) 5/16-18 x 2 1/4" J-bolts
- (4) 5/16-18 hex nuts
- (4) 5/16 split lock washers



Part Number	Runway Width in (mm)	Plate Material	Shipping Weight lb (kg)
12121-X09	5 to 9 (130 to 230)	Aluminum	5 (2.3)
12121-X12	9 to 12 (230 to 300)	Aluminum	5 (2.3)
12121-X18	15 to 18 (380 to 460)	Aluminum	7 (3.2)
12409-X24	20 to 24 (510 to 610)	Aluminum	5 (2.3)

*X=*color: Gold (-0), Computer Beige (-2) and Glacier White (-E) kits have gold colored hardware. Gray (-1) and Black (-7) kits have black colored hardware. 12409-X24 adds 1.25" (32 mm) to height of rack.

800-834-4969 in U.S. & Canada • www.chatsworth.com



CHATSWORTH PRODUCTS

©2013 Chatsworth Products, Inc. All rights reserved. CPi, CPi Passive Cooling, GlobalFrame, MegaFrame, Saf-T-Grip, Seismic Frame, SlimFrame, TeraFrame, Cube-IT Plus, Evolution, OnTrac, Velocity and QuadraRack are federally registered trademarks of Chatsworth Products. eConnect and Simply Efficient are trademarks of Chatsworth Products. All other trademarks belong to their respective companies. 6/13