

Product Cut Sheet

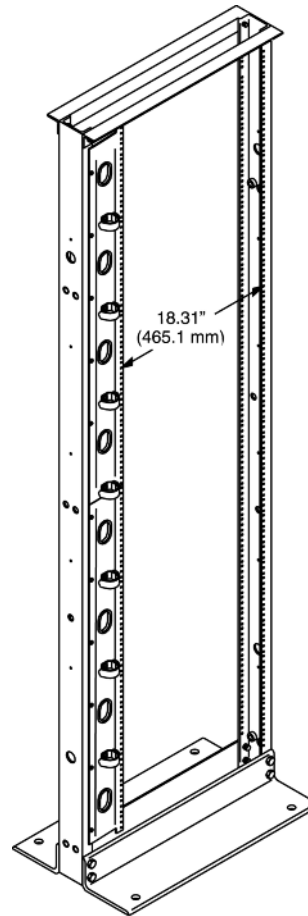
PANEL ADAPTER WITH CABLE MANAGEMENT

Panel Adapter with Cable Management, Single-Sided, 23" to 19"

CPI offers a solution for those who have 7'H (2.1 m) x 23"W racks and need to mount 19" equipment along the entire length of the rack. Existing panel adapters are typically composed of two side panels which reduce the mounting width and center the equipment. CPI's unique design performs the reduction on one side. Not only can you mount 19" equipment, but you also have room for cable management on the wide adapter panel.

Eight 2.25" (57.2 mm) oval pass-through ports with edge protectors provide cable access from front to rear of the panel. In addition, there are seven threaded holes along the front surface of the panels for mounting optional Center Grommet Buckle Saf-T-Grip® Cable Management Straps to provide strain relief and vertical cable management.

- Includes (50) pilot point #12-24 mounting screws with combination Phillips/Straight heads
- Saf-T-Grip straps are optional
- Split design allows you to adapt half or all of a 7'H (2.1 m) relay rack
- Adapter panels mount on right or left side of rack
- Panels are joggled to maintain uniform mounting surface plane
- For lightweight applications (patch panels & cable management)



Part Number	Description/Color	Shipping Weight lb (kg)
7' (2.1 m) Panel Adapters		
13044-103	Gray	5 (2.3)
13044-203	Computer White	5 (2.3)
13044-503	Clear	5 (2.3)
13044-703	Black	5 (2.3)
13044-E03	Glacier White	5 (2.3)
OPTIONAL: Saf-T-Grip Center Grommet Cable Management Straps (Pkg. of 25) W x L - in (mm)		
06006-201	3/4 x 6 (19.1 x 150), Black	1 (0.5)
06006-203	3/4 x 6 (19.1 x 150), Royal Blue	1 (0.5)
06009-201	3/4 x 9 (230 x 19.1), Black	1 (0.5)
06009-203	3/4 x 9 (230 x 19.1), Royal Blue	1 (0.5)
06012-201	3/4 x 12 (300 x 19.1), Black	1 (0.5)
06012-203	3/4 x 12 (300 x 19.1) Royal Blue	1 (0.5)

800-834-4969 in U.S. & Canada • www.chatsworth.com



CHATSWORTH PRODUCTS

©2013 Chatsworth Products, Inc. All rights reserved. CPI, CPI Passive Cooling, GlobalFrame, MegaFrame, Saf-T-Grip, Seismic Frame, SlimFrame, TeraFrame, Cube-IT Plus, Evolution, OnTrac, Velocity and QuadraRack are federally registered trademarks of Chatsworth Products. eConnect and Simply Efficient are trademarks of Chatsworth Products. All other trademarks belong to their respective companies. 6/13