

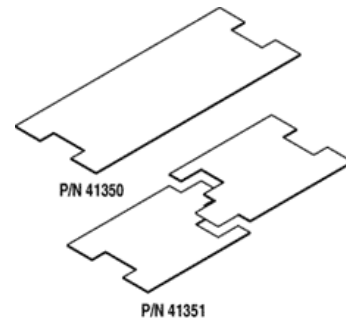
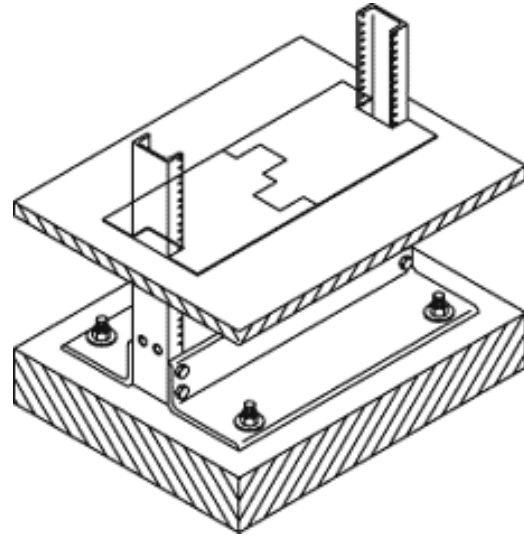
Product Cut Sheet

BASE DUST COVER, RAISED FLOOR

Now there is a solution for covering the hole created when an equipment rack is bolted to a sub-floor in a raised floor environment. Our new dust cover improves the appearance of an installation and prevents accumulation of dust and debris at the rack base. It also provides a finished look.

Offered in two styles to accommodate your needs. One style is for use with a new rack installation where there is room between the rack mounted equipment and the raised floor to install a one-piece cover. The other style is a two-piece design for use where equipment on the rack limits access.

- Installs securely in place over the mounting hole. No mounting hardware necessary
- Material is .090" aluminum
- Fits within CPI enclosures
- For CPI Standard or Universal racks with 3" deep channel



Part Number	Description
41350-X19	One-Piece Style, 19" Rack
41350-X23	One-Piece Style, 23" Rack
41351-X19	Two-Piece Style, 19" Rack
41351-X23	Two-Piece Style, 23" Rack

X=color: 1=Gray, 2=Computer Beige, 5=Clear, 7=Black, E=Glacier White.

800-834-4969 in U.S. & Canada • www.chatsworth.com



©2013 Chatsworth Products, Inc. All rights reserved. CPI, CPI Passive Cooling, GlobalFrame, MegaFrame, Saf-T-Grip, Seismic Frame, SlimFrame, TeraFrame, Cube-IT Plus, Evolution, OnTrac, Velocity and QuadraRack are federally registered trademarks of Chatsworth Products. eConnect and Simply Efficient are trademarks of Chatsworth Products. All other trademarks belong to their respective companies. 6/13