

Installation Instructions

Momentum Vertical Cable Manager With Rings

Safety Information



WARNING: Product not designed for stand-alone use. Support product properly until bolted to rack. Do not leave unsupported product unattended.

Intended Use

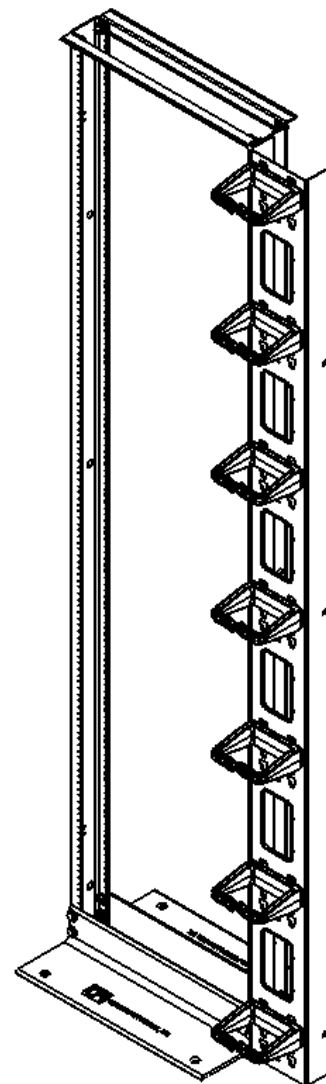
Install the Momentum Vertical Cable Manager only in a restricted service environment. Use indoors only, in environmentally controlled areas; do not use outdoors, in harsh environments or in air-handling spaces. Use this cable manager to house copper and fiber data communication cables. Allow only qualified service personnel to use this Momentum Vertical Cable Manager.

Tools Required

13mm Socket, Open or Adjustable End Wrench
#3 Phillips head screwdriver

Included Hardware

<u>QTY</u>	<u>DESCRIPTION</u>
3	M8 Hex Nut
3	M8 Shoulder Washer
3	M8 Allen Screw
7	M6 Flat Washer
7	M6 Phillips Head Screw
1	M5 Allen Wrench



CHATSWORTH PRODUCTS

IIS-734752, 09/18/2013, Rev. 3, CPI/P. HENNRICH
+86 21 6880-0266 • www.chatsworth.com.cn • techsupport@chatsworth.com
For international phone numbers, see our website or contact CPI Tech Support.

This drawing contains proprietary and confidential information and is protected by U.S. and international law. Unauthorized reproduction, disclosure or use of the drawing or the information therein is expressly forbidden except as agreed to in writing by Chatsworth Products, Inc.

Installation Instructions

Momentum Vertical Cable Manager With Rings

Assembly Sequence

1. Position the MVCM chassis so the edge of the u-channel is centered on the rack vertical.

See Figure 1.

2. Insert M8 Allen Screw through side of chassis into rack. Slide shoulder washer onto screw with smaller side of the washer fitting into the hole on the rack vertical. Insert M8 hex nut onto screw and tighten using socket, open ended or adjustable wrench and Allen wrench. **See Figures 1 and 2.**

3. Assemble hardware as described in step 2 on all three mounting locations and tighten.

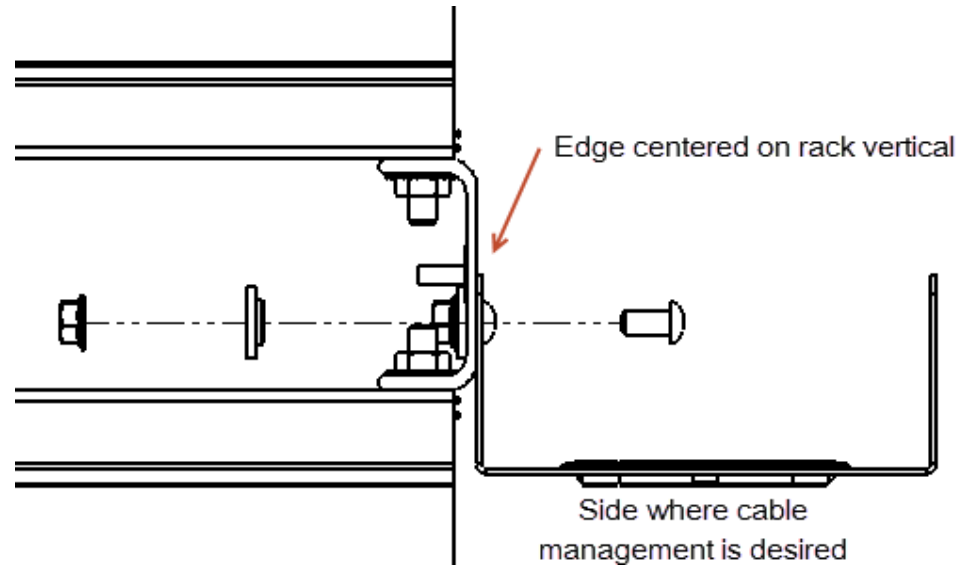


Figure 1

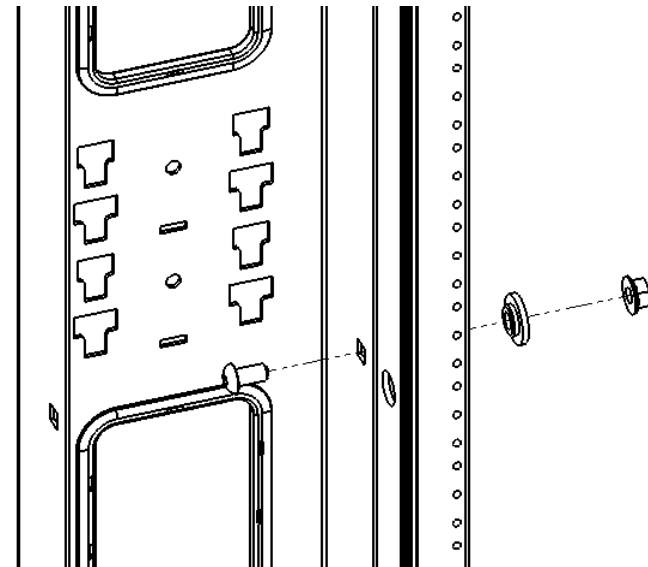


Figure 2

Installation Instructions

Momentum Vertical Cable Manager With Rings

4. Install cable rings into mounting holes by inserting into holes and pushing down until clip engages. **See Figure 3.**

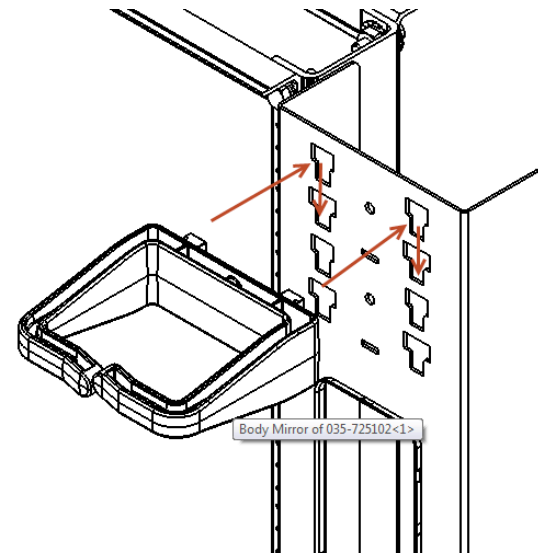


Figure 3

5. If desired, install M6 screw and flat washer into mounting hole to prevent removal of rings. **See Figure 4.**

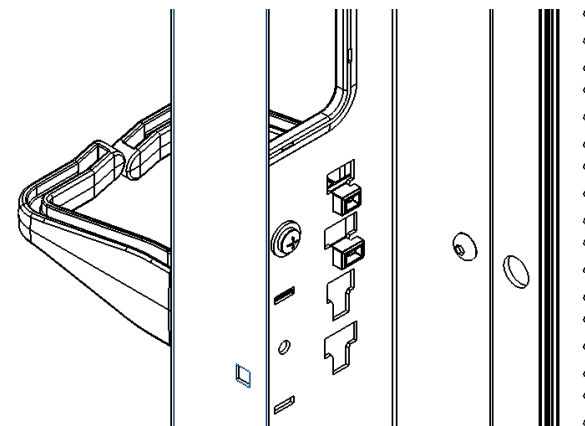


Figure 4