

Installation Instructions

THINLINE ELS1000 KIT LOCK

Included Hardware:

M4 Washer, 1 ea.
M4 X 12mm screw, 1 ea.

ELS1000 latch box contains a set of standard fasteners, please select the items shown below from the box:

M4X10mm
Flanged Screw, 1 ea.

M16 Nut, 1 ea.

Packer piece, 1 ea.



Tools Required

#2 Phillips screwdriver
19 mm Wrench.

ELS1000 Lock Preparation:

Locate the batteries from the lock box and install in the latch before assembly.
Please refer to the following Instruction documents for configuring the locks:
IIS-739226.

ELS1000 Assembly Sequence:

Installing the Single point ELS1000 lock (Fig.1) onto Thinline front door.

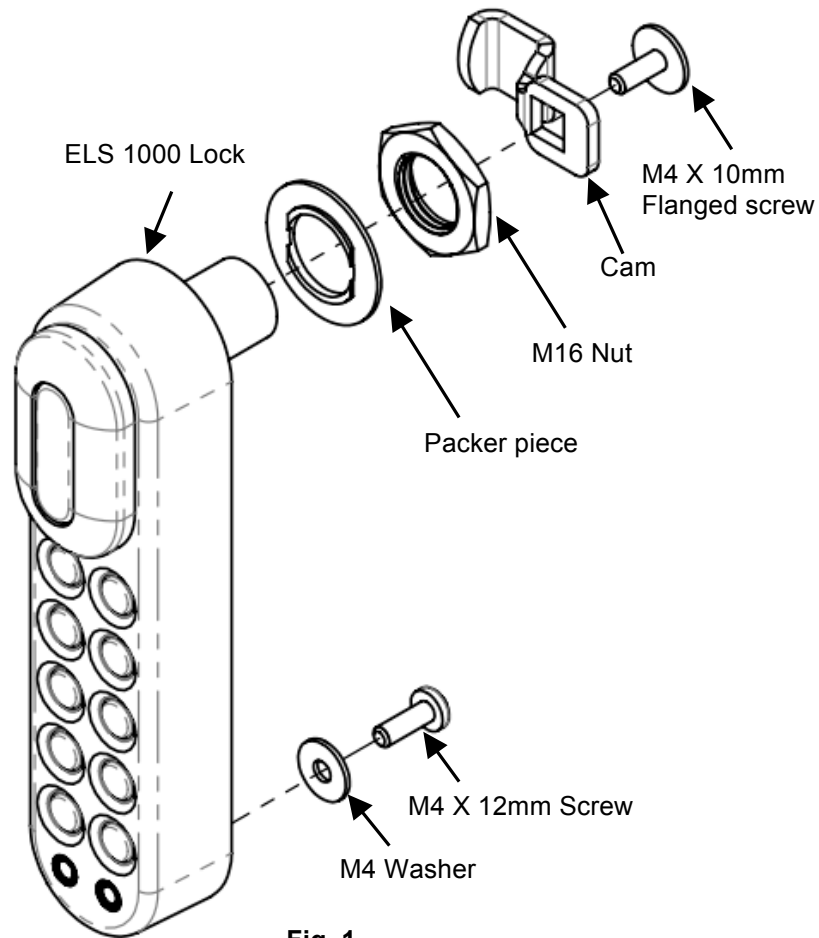


Fig. 1



IIS-713830, 12/04/13, Rev. 1, CPI/<AUTHORS INITIALS HERE>

800-834-4969 (USA & Canada) • www.chatsworth.com • techsupport@chatsworth.com

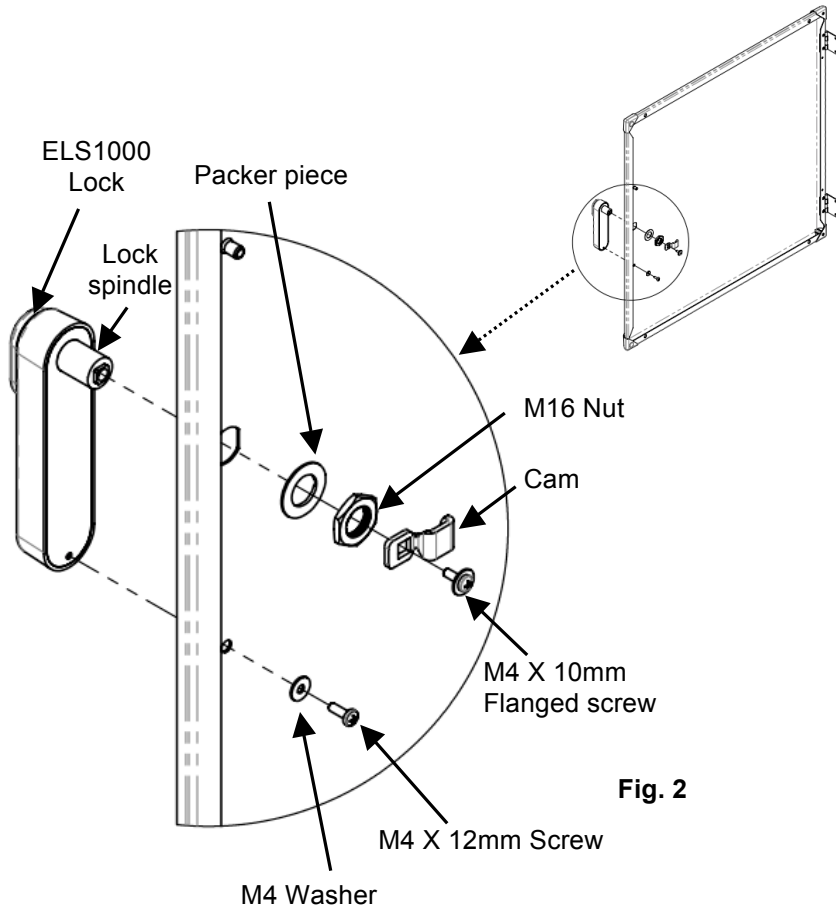
For international phone numbers, see our website or contact CPI Tech Support.

This drawing contains proprietary and confidential information and is protected by U.S. and international law. Unauthorized reproduction, disclosure or use of the drawing or the information therein is expressly forbidden except as agreed to in writing by Chatsworth Products, Inc.

Installation Instructions

THINLINE ELS1000 KIT LOCK

1. For ELS1000 lock assembly place the Packer piece on to the Door cut out from inner side, place ELS 1000 from front side of the door and the M16 Nut over the lock Spindle, push the cam onto the cam Spindle and fasten it with M4 X 10mm flanged screw (Fig.2).



Optional: If required - handle should be in lower side of the lock kit, the lock kit must be inverted 180 degrees and close the upper fixing hole with plug in (Fig.3a & 3b).

