

Installation Instructions

REAR DOOR SINGLE-POINT LATCH ELS1000/ELS1500

Included Hardware:

ELS1000 Master Kit:

M4 Washer, 1 ea.
M4X12mm screw, 1 ea.
M6X12mm PH Screw, 2 ea.

ELS1000 latch box contains a set of standard fasteners, please select the items shown below from the box:

M4X10mm Flanged Screw, 1 ea.

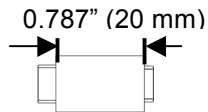
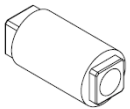
M16 Nut, 1 ea.



ELS1500 Master Kit:

M5X16mm screw, 2 ea.
M6X35mm Hex screw, 1 ea.
M6X12mm PH Screw, 2 ea.

Please select the spindle shown below from the ELS1500 latch box.



Tools Required:

#2 Philips screw driver
19mm Wrench
10mm Wrench

ELS1000/1500 Lock Preparation:

Locate the batteries from the lock box and install in the latch before assembly. Please refer to the following Instruction documents for configuring the locks: IIS-739226 (ELS1000), ISS-739228 (ELS1500).

ELS1000 Assembly Sequence:

Installing the Single point ELS1000 latch (Fig.1) onto Rear door.

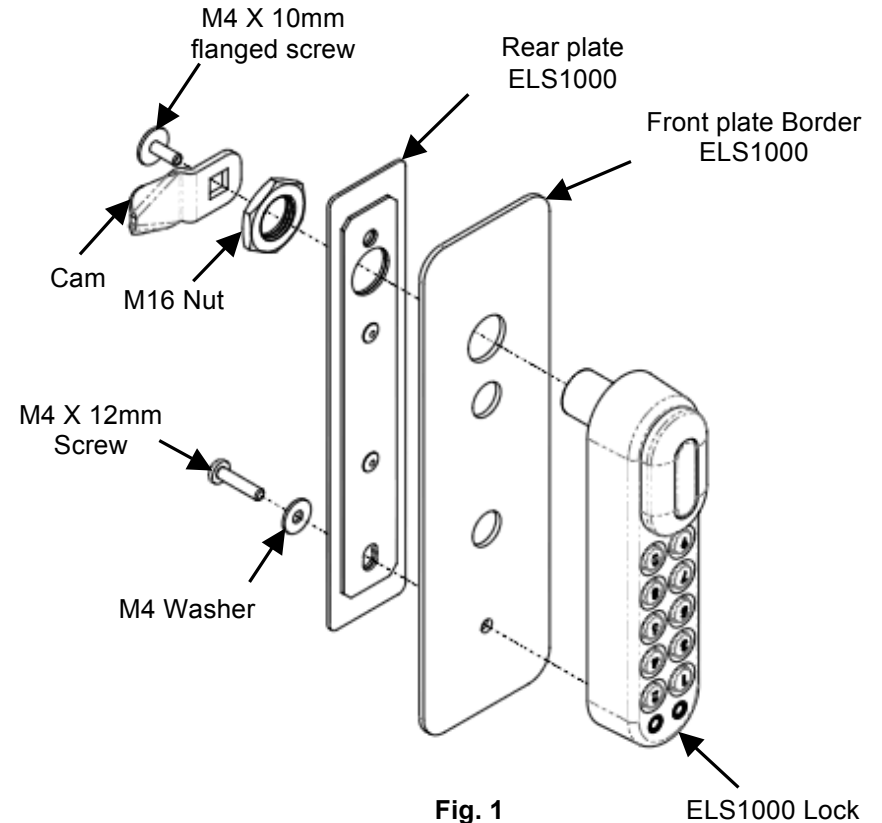


Fig. 1
ELS1000 Lock Kit

ELS1000 Lock



CHATSWORTH PRODUCTS

IIS-739223, 11/22/13, Rev. 1, CPI/

800-834-4969 (USA & Canada) • www.chatsworth.com • techsupport@chatsworth.com

For international phone numbers, see our website or contact CPI Tech Support.

This drawing contains proprietary and confidential information and is protected by U.S. and international law. Unauthorized reproduction, disclosure or use of the drawing or the information therein is expressly forbidden except as agreed to in writing by Chatsworth Products, Inc.

Installation Instructions

REAR DOOR SINGLE-POINT LATCH ELS1000/ELS1500

1. Install the Catch in the upper cut-out in the frame opposite the hinges, fastening with M6x12mm screw.(Fig.2)

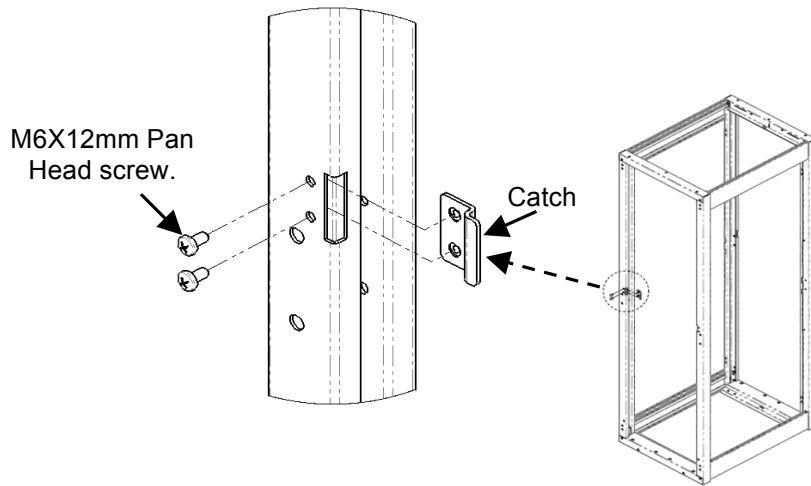


Fig. 2
Catch installation
on Frame
ELS1000

2. Place the ELS1000 lock along with Front plate border on the rear door with the lock spindle orientation up and Rear plate from other side of door.(Fig.3)

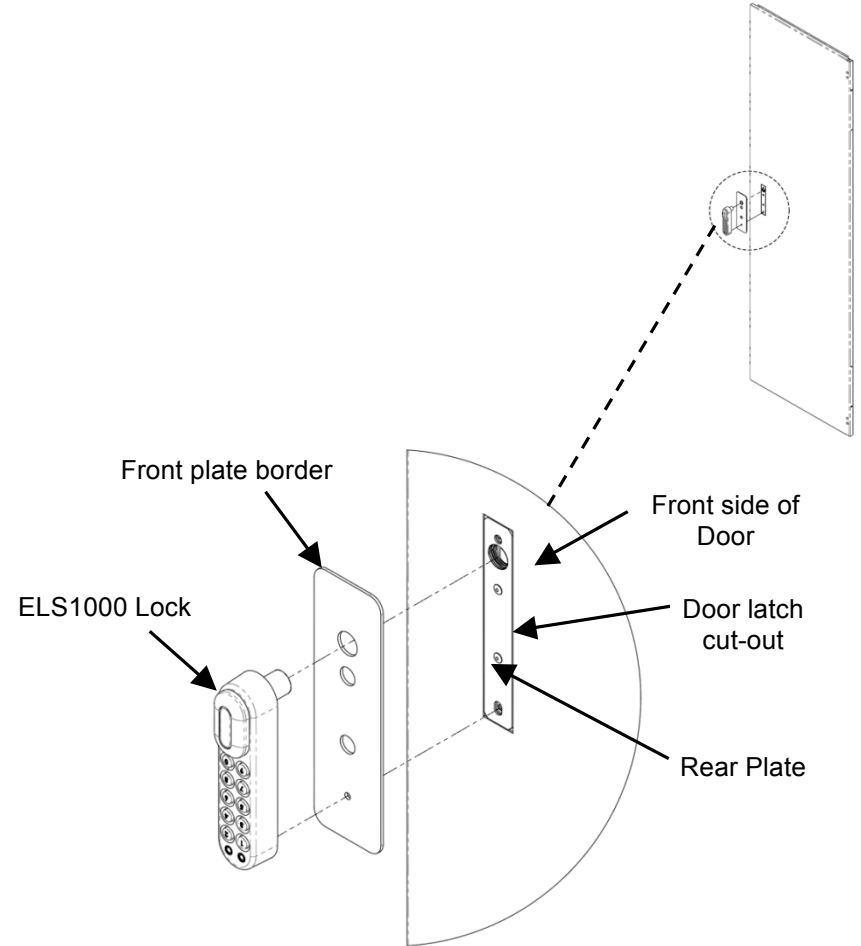


Fig. 3
ELS1000 Lock Installation

Installation Instructions

REAR DOOR SINGLE-POINT LATCH ELS1000/ELS1500

3. Secure the ELS1000 lock to the rear plate using M4 X 12mm screw and M4 washer (Fig.4).
4. For ELS1000, place M16 Nut over the lock spindle, push the cam onto the cam spindle and fasten it with M4 Flanged screw (Fig.4).

ELS1500 Assembly Sequence:

Installing the Single point ELS1500 latch (Fig.5) onto Rear door.

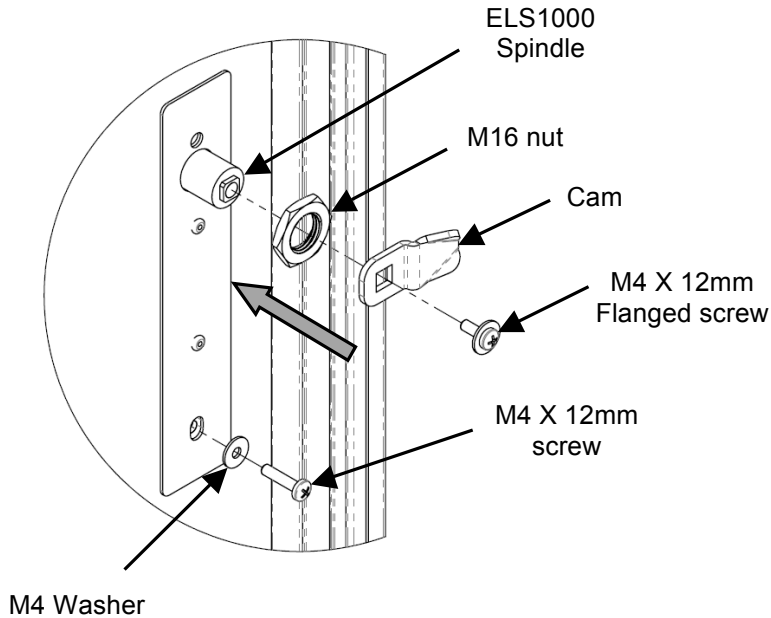


Fig. 4
ELS1000 lock installation
Latch back side view

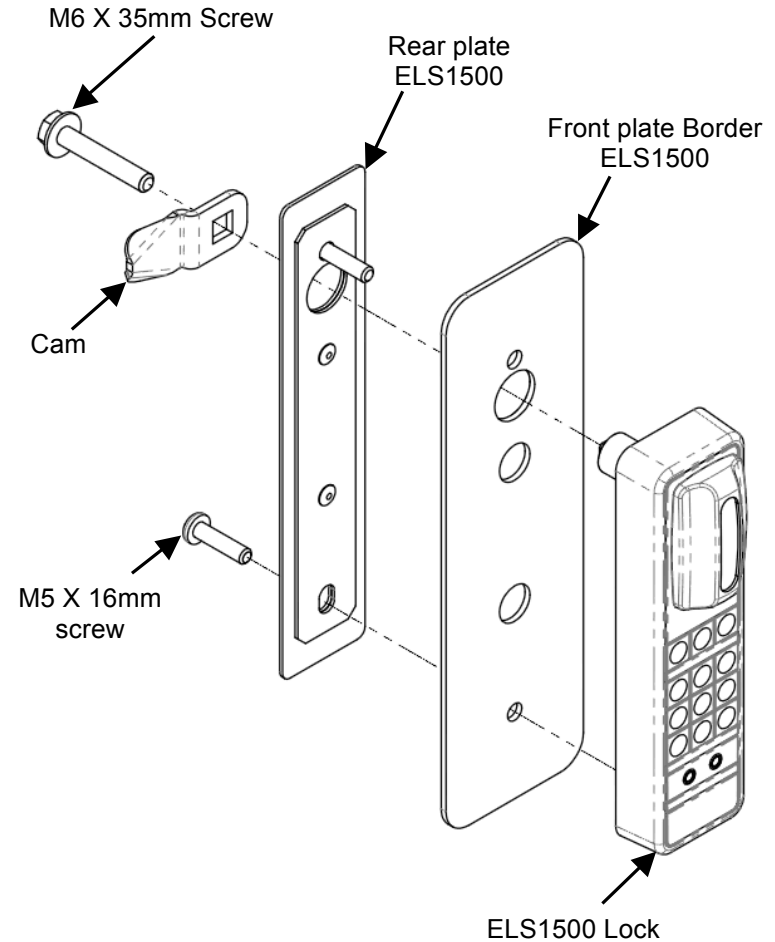


Fig. 5
ELS1500 Lock
Kit

Installation Instructions

REAR DOOR SINGLE-POINT LATCH ELS1000/ELS1500

1. Install the Catch in the upper cut-out in the frame opposite the hinges, fastening with M6x12mm screw.(Fig.6)

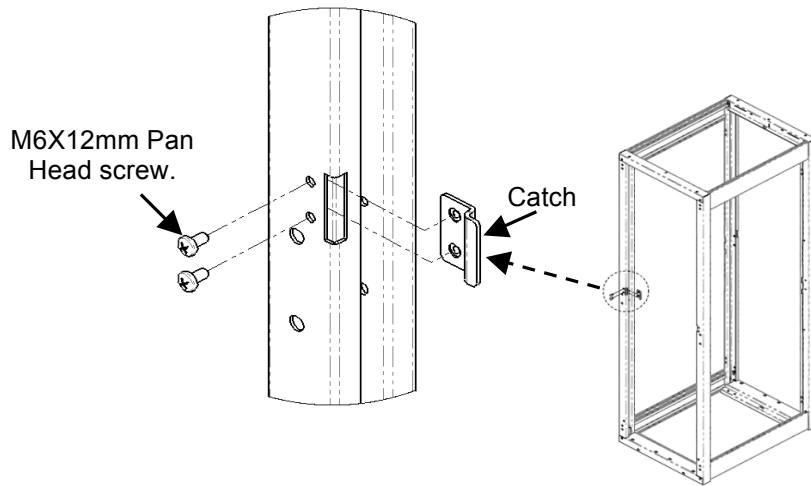


Fig. 6
Catch installation
on Frame
ELS1500

2. Place the ELS1500 lock along with Front plate border on the rear door with the lock spindle orientation up and Rear plate from other side of door. (Fig.7)

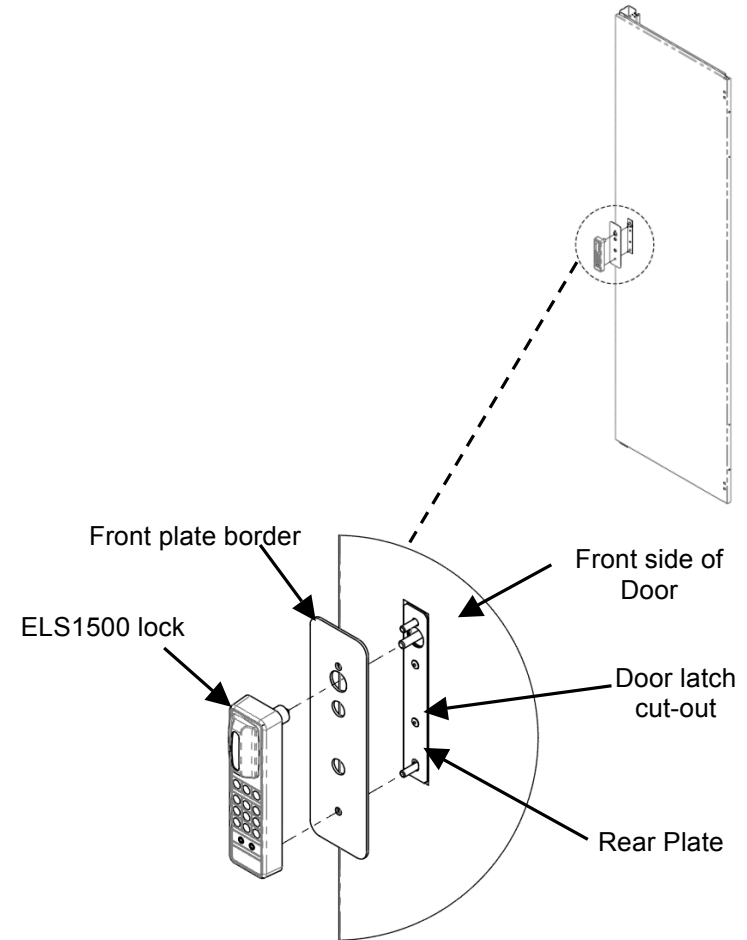


Fig. 7
ELS1500 lock installation

Installation Instructions

REAR DOOR SINGLE-POINT LATCH ELS1000/ELS1500

3. Secure the ELS1500 lock to the rear plate using M5 X 16mm screw (Fig.8).
4. For ELS1500 push the cam onto the cam barrel and fasten it with M6 Hex screw (Fig.8).

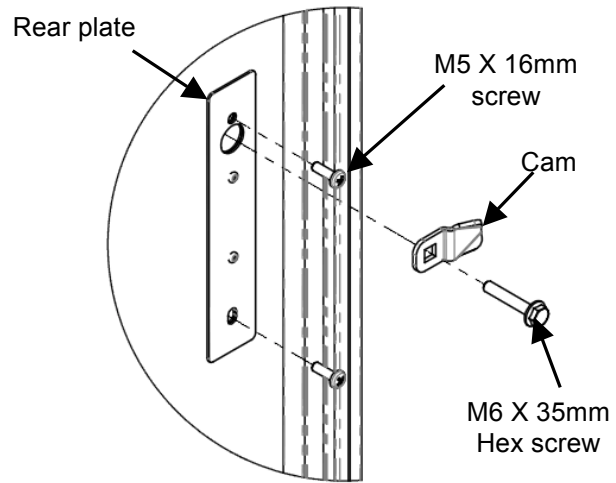


Fig. 8
ELS1500 lock installation
Latch back side view