

Installation Instructions

REAR SOLID DOOR TWO-POINT ELS1000/ELS1500 LOCK

Included Hardware:

ELS1000 Master Kit:

M4X12mm screw 1 ea.
M4 Washer, 1 ea.
M10 Washer, 1 ea.
M6 X 11mm Clevis Pin, 2 ea.
6 mm E-ring Ext., 2 ea.

ELS1000 latch box contains a set of standard fasteners, please select the items shown below from the box:

M4X10mm Flanged Screw: 1 ea.

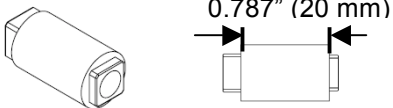
M16 Nut: 1 ea.



ELS1500 Master Kit:

M10 washer, 1 ea.
M5X16mm screw, 2 ea.
M6X35mm Hex screw, 1 ea.
M6 X 11mm Clevis Pin, 2 ea.
6 mm E-ring Ext., 2 ea.

Please select the spindle below from the ELS1500 latch box:



Tools Required:

#2 Philips screw driver.
19 mm Wrench
Rivet gun

Installation Notes:

- The cabinet door must be disassembled in order to install or remove a two-point latch, because the lock rods extend beyond the top and bottom of the door.

ELS1000 Assembly Sequence

1. Install the two point ELS1000 (Fig. 1) onto rear solid door.

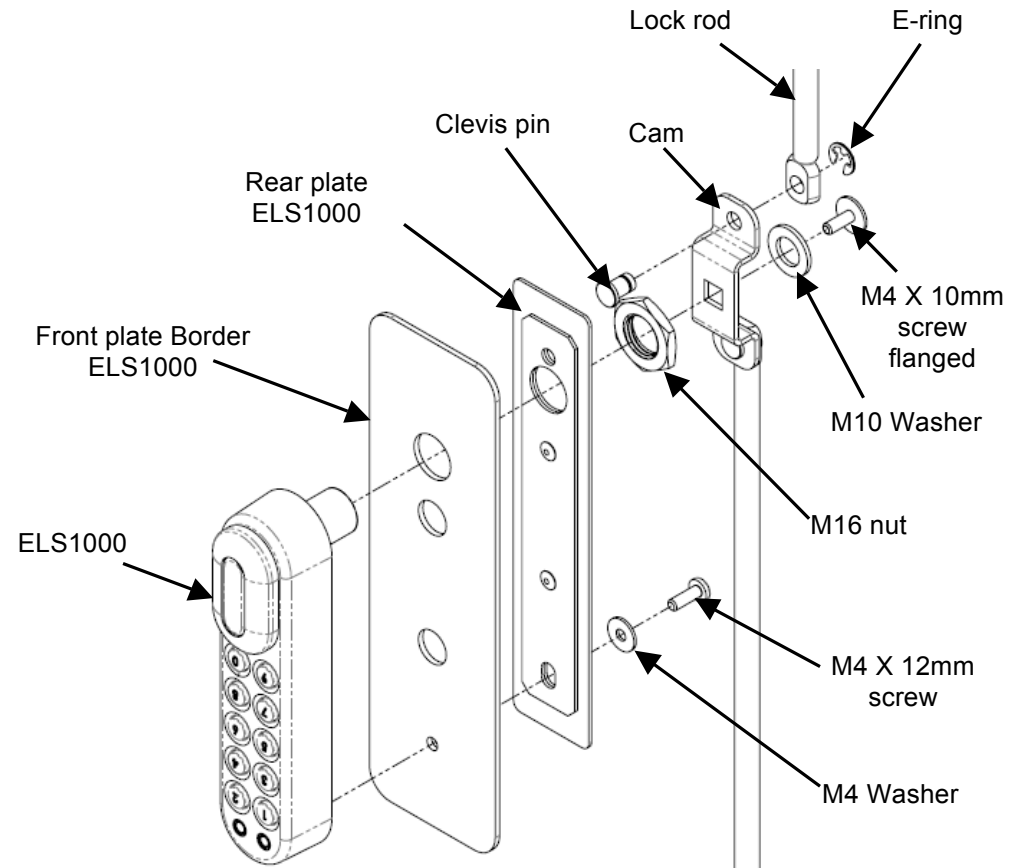


Fig. 1
ELS1000 Lock



CHATSWORTH PRODUCTS

IIS-739227, 02/18/13, Rev. 1, CPI/

800-834-4969 (USA & Canada) • www.chatsworth.com • techsupport@chatsworth.com

For international phone numbers, see our website or contact CPI Tech Support.

This drawing contains proprietary and confidential information and is protected by U.S. and international law. Unauthorized reproduction, disclosure or use of the drawing or the information therein is expressly forbidden except as agreed to in writing by Chatsworth Products, Inc.

Installation Instructions

REAR SOLID DOOR TWO-POINT ELS1000/ELS1500 LOCK

2. Install lock rod guide brackets on top and bottom of rear door. Do not insert the lock rods yet (Fig. 2).
3. Position the ELS1000 lock with spindle orientation up and Front plate on the door over the latch cut-out and fasten with Rear plate using M4X12mm screws and M4 washer (Fig. 2).
4. Place the M16 Nut over the lock barrel and tighten it (Fig. 2).
5. Fasten the cam into the Lock barrel with M4X10mm flanged screws & M10 Washer (Fig. 3).

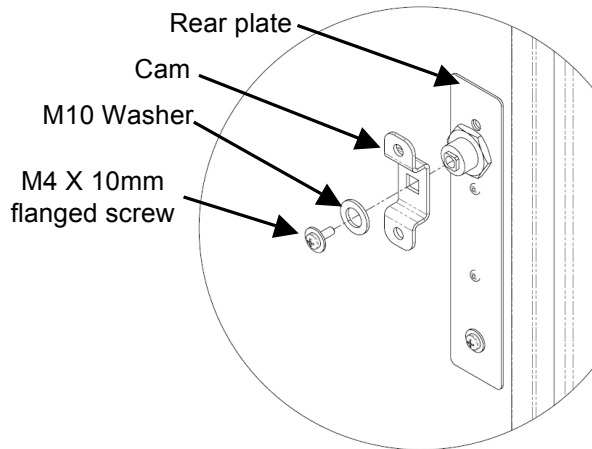


Fig. 3
ELS1000 Lock
Back side view

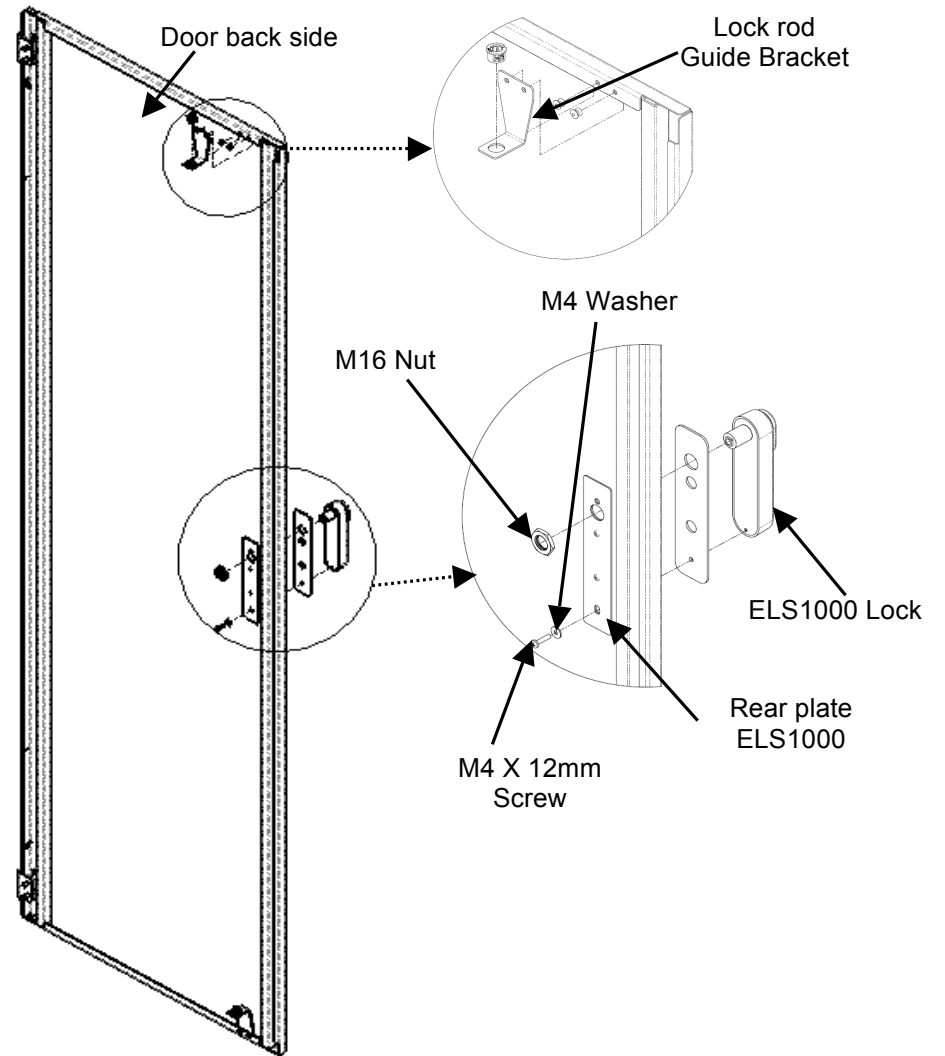


Fig. 2
ELS1000 lock
Installation

Installation Instructions

REAR SOLID DOOR TWO-POINT ELS1000/ELS1500 LOCK

6. Insert the lock rods through the guides, with the short rod on the top and the long rod on the bottom (Fig. 4).
7. Insert the cam assembly pins through the short rod (on top) and the long rod (on bottom), then through the other half of the cam assembly (Fig. 4) and locked with-ring.

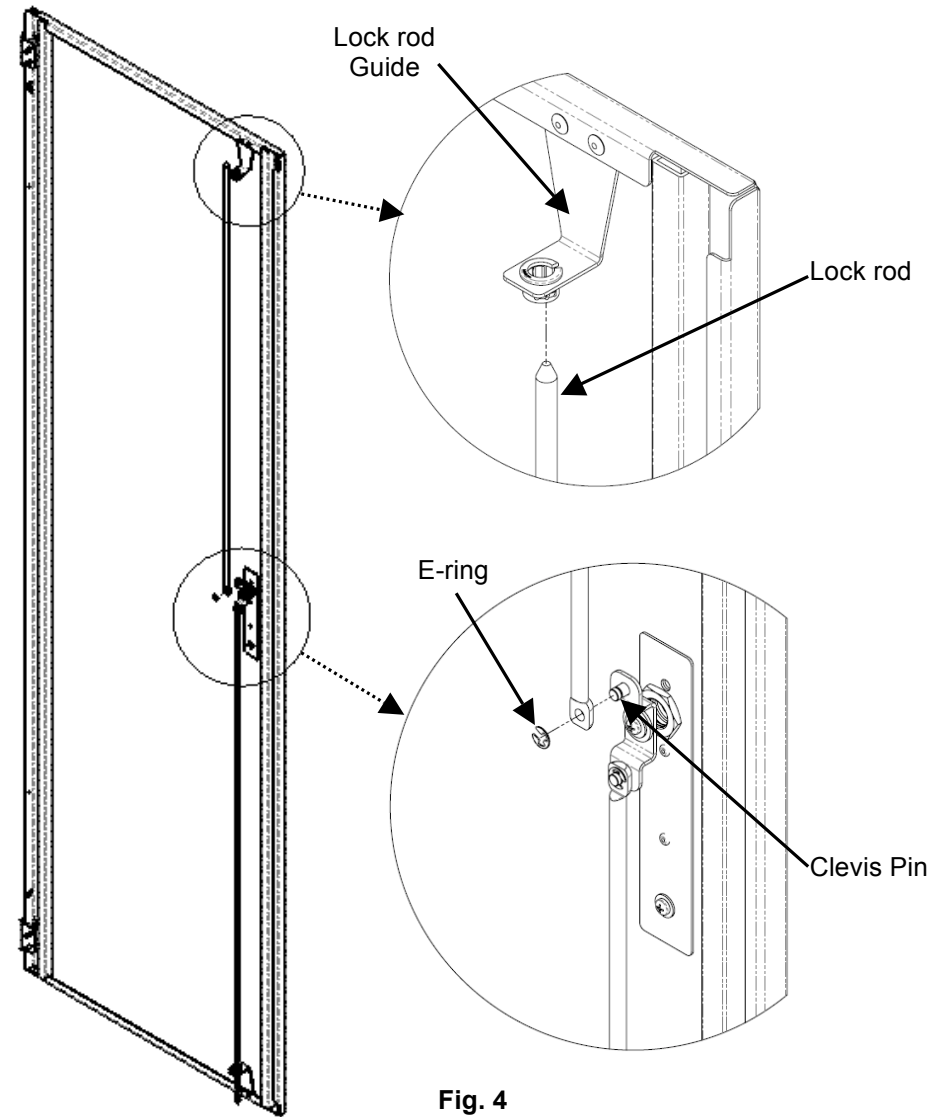


Fig. 4
ELS1000
Lock Rod Installation

Installation Instructions

REAR SOLID DOOR TWO-POINT ELS1000/ELS1500 LOCK

ELS1500 Assembly Sequence

1. Install the two point ELS1500 (Fig. 5) onto rear solid door.

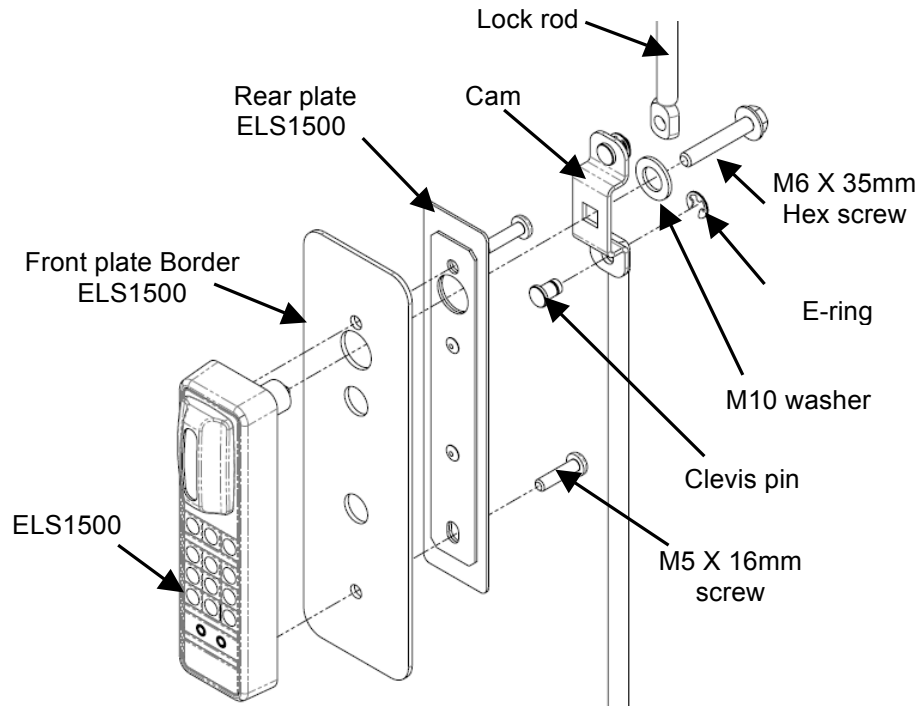


Fig. 5
KL 1500 Lock

2. Install lock rod guide brackets on top and bottom of rear door. Do not insert the lock rods yet (Fig. 6).
3. Position the ELS1500 lock with spindle orientation up and Front plate on the door over the latch cut-out and fasten with Rear plate using M5X16mm screws (Fig. 6).

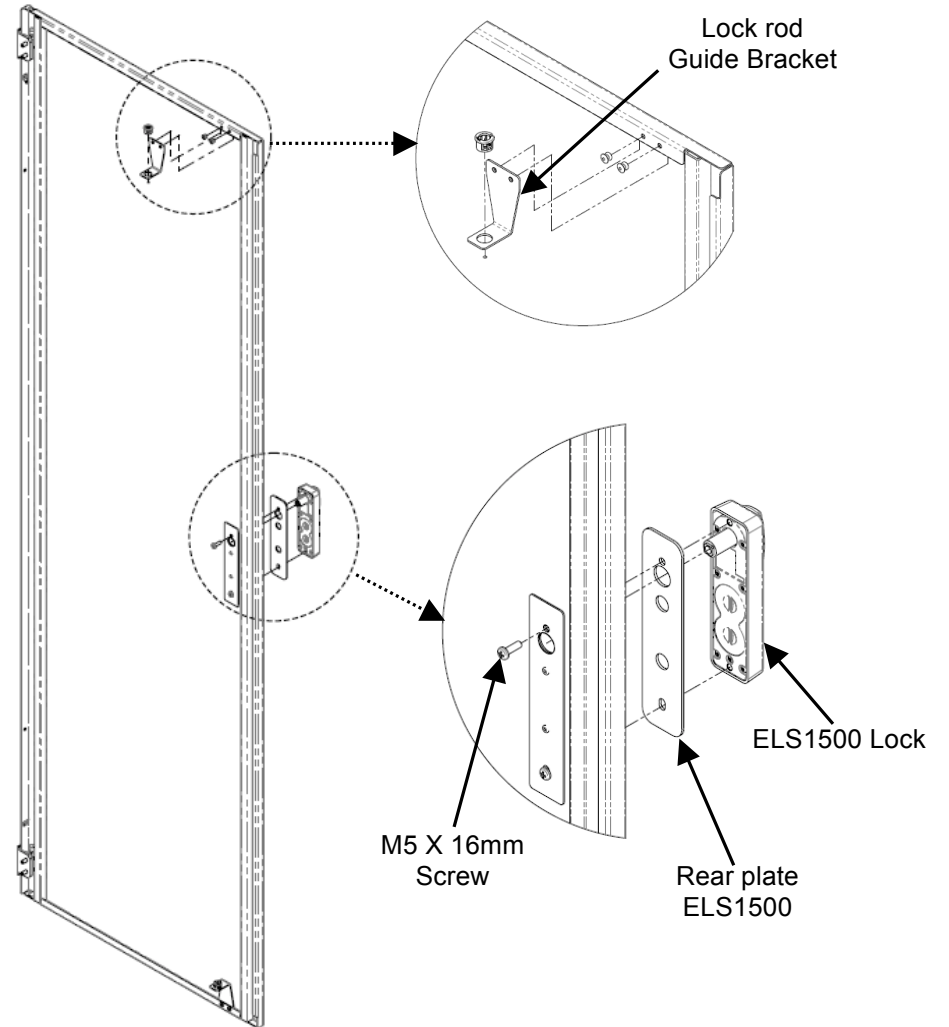


Fig. 6
ELS1500 lock
Installation

4. Insert the lock rods through the guides, with the short rod on the top and the long rod on the bottom (Fig. 7).

Installation Instructions

REAR SOLID DOOR TWO-POINT ELS1000/ELS1500 LOCK

5. Insert the cam assembly pins through the short rod (on top) and the long rod (on bottom), then through the other half of the cam assembly (Fig. 7) and locked with-ring.

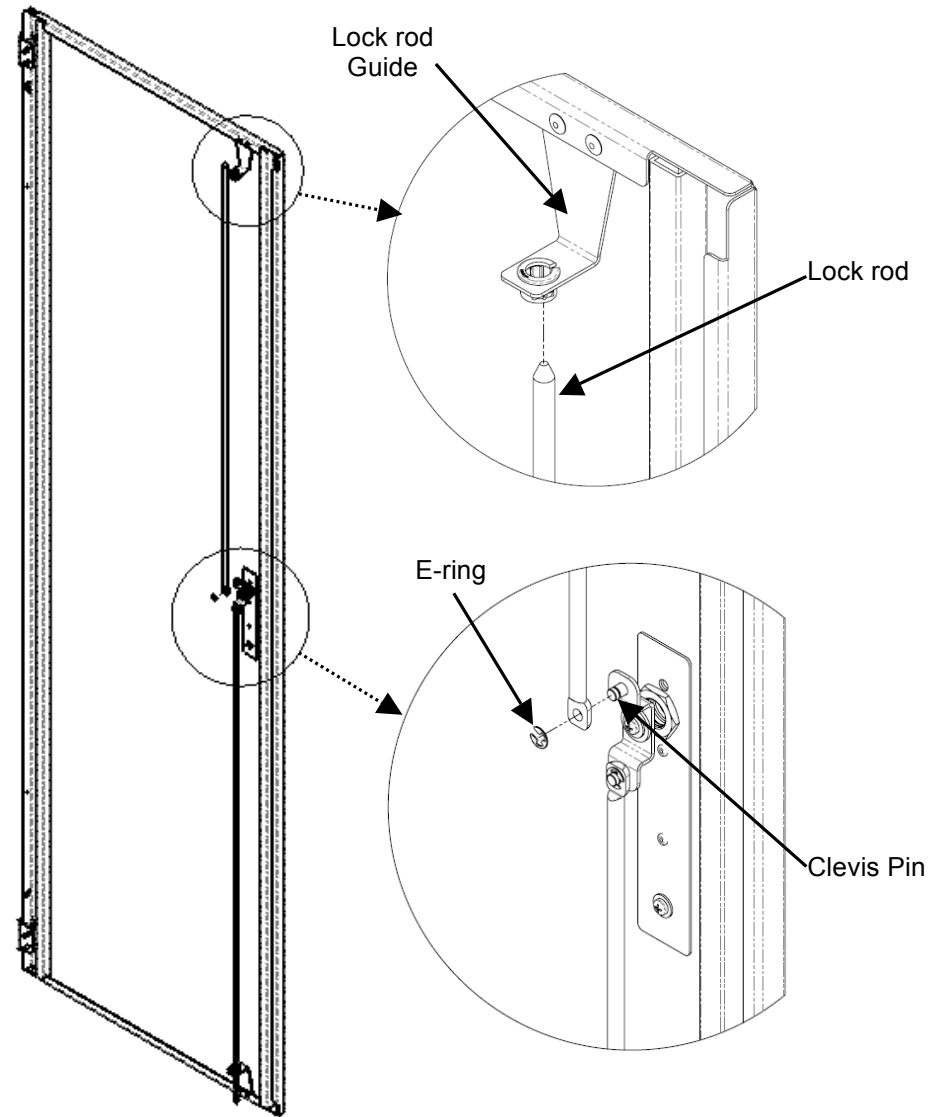


Fig. 7
ELS1500
Lock Rod Installation