

# Installation Instructions

## TERAFRAME® FRONT DOOR TWO-POINT ELS1000/ELS1500 LOCK

### Included Hardware:

#### **ELS1000 Master kit:**

M4X10mm Taptite screw 2 ea.  
M4 Tooth Washer 2 ea.  
M4 Washer, 1 ea.  
M4 X 12mm screw 1 ea.  
M6 X 11mm Clevis Pin, 2 ea.  
6 mm E-ring Ext., 2 ea.  
M10 Washer, 1 ea.

ELS1000 latch box contains a set of standard fasteners, please select the items below from the box:

M4 X 10mm Flanged Screw: 1 ea.

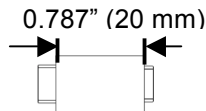
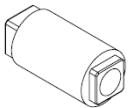
M16 Nut: 1 ea.



#### **ELS1500 Master Kit:**

M4X10mm Taptite screw 2 ea.  
M4 Tooth Washer 2 ea.  
M10 washer, 1 ea.  
M5 X 16mm screw, 2 ea.  
M6 X 35mm Hex screw, 1 ea.  
M6 X 11mm Clevis Pin, 2 ea.  
6 mm E-ring Ext., 2 ea.  
M10 washer, 1ea.

Please select the spindle below from the ELS1500 latch box:



### Tools Required:

#2 Philips screw driver  
19 mm Wrench  
10 mm wrench  
Rivet gun

### ELS1000/1500 Lock Preparation:

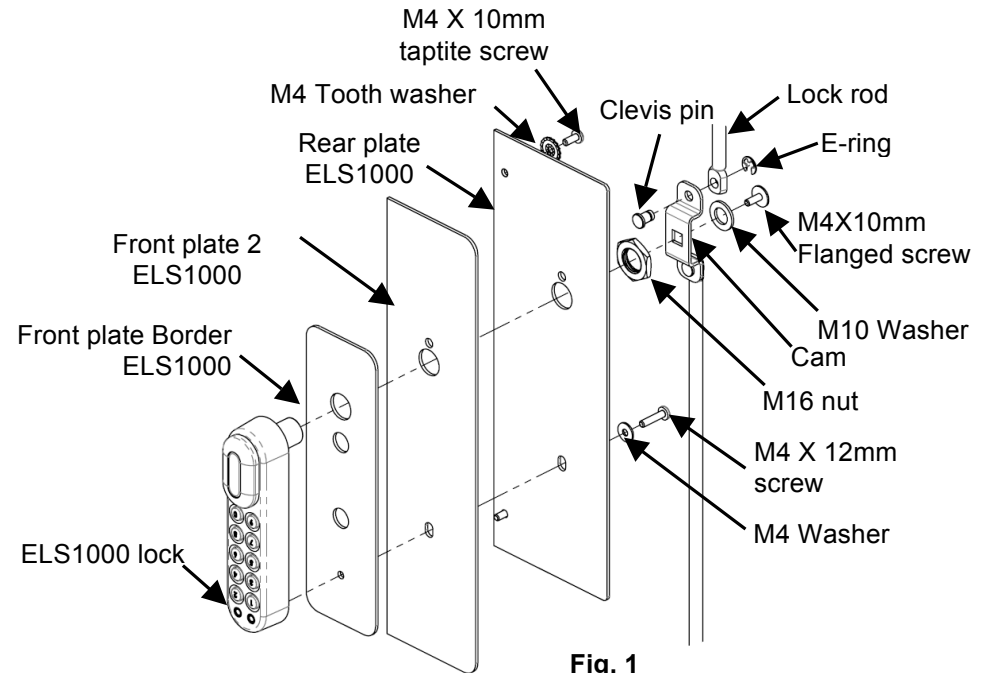
Locate the batteries from the lock box and install in the latch before assembly. Please refer to the following Instruction documents for configuring the locks: IIS-739226 (ELS1000), ISS-739228 (ELS1500).

### Installation Notes:

- The cabinet door must be disassembled in order to install or remove a two-point latch, because the lock rods extend beyond the top and bottom of the door.

### ELS1000 Lock Assembly Sequence:

1. Install the two point ELS1000 (Fig. 1) onto TeraFrame front door.



**Fig. 1**  
ELS1000 Lock



CHATSWORTH PRODUCTS

IIS-739229, 11/27/13, Rev. 1, CPI/

800-834-4969 (USA & Canada) • [www.chatsworth.com](http://www.chatsworth.com) • [techsupport@chatsworth.com](mailto:techsupport@chatsworth.com)

For international phone numbers, see our website or contact CPI Tech Support.

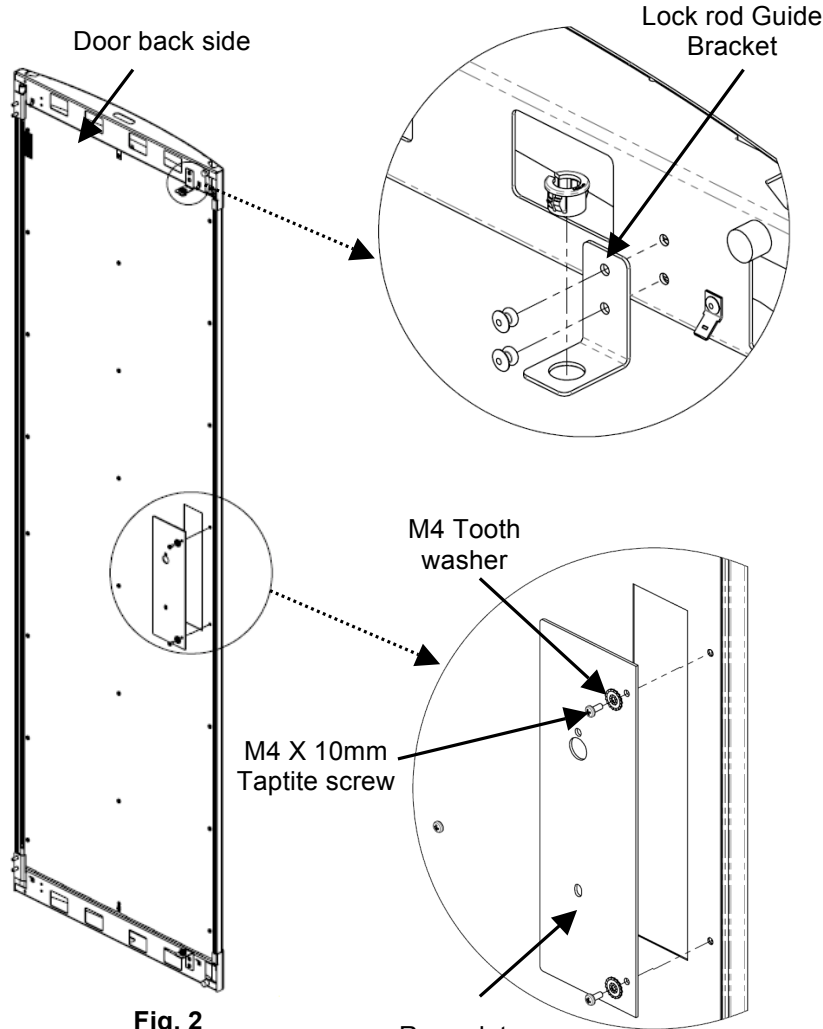
*This drawing contains proprietary and confidential information and is protected by U.S. and international law. Unauthorized reproduction, disclosure or use of the drawing or the information therein is expressly forbidden except as agreed to in writing by Chatsworth Products, Inc.*

# Installation Instructions

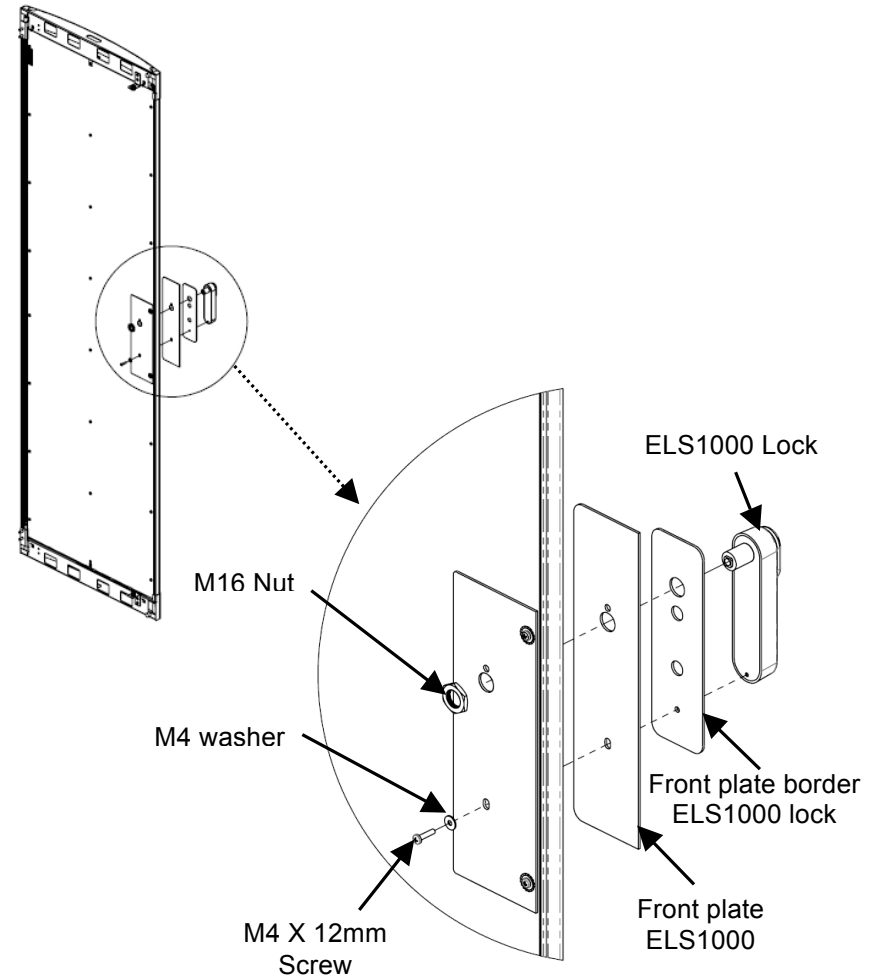
## TERAFRAME® FRONT DOOR TWO-POINT ELS1000/ELS1500 LOCK

2. Install lock rod guide brackets in the top and bottom door. Do not insert the lock rods yet (Fig. 2).
3. Position the Rear plate inside the door over the latch cut-out and fasten with two M4X10mm screws and M4 Tooth washer under each screw head. The Tooth washer provides an electrical bonding point (Fig. 2).

4. Place the ELS1000 lock with the Front plate border in front door with spindle orientation up (Fig. 3).
5. Secure the ELS1000 lock to the rear plate with the M4 X 12mm screws and M4 washer in the top and bottom holes (Fig. 3).



**Fig. 2**  
ELS1000 lock  
Door with rear plate installation

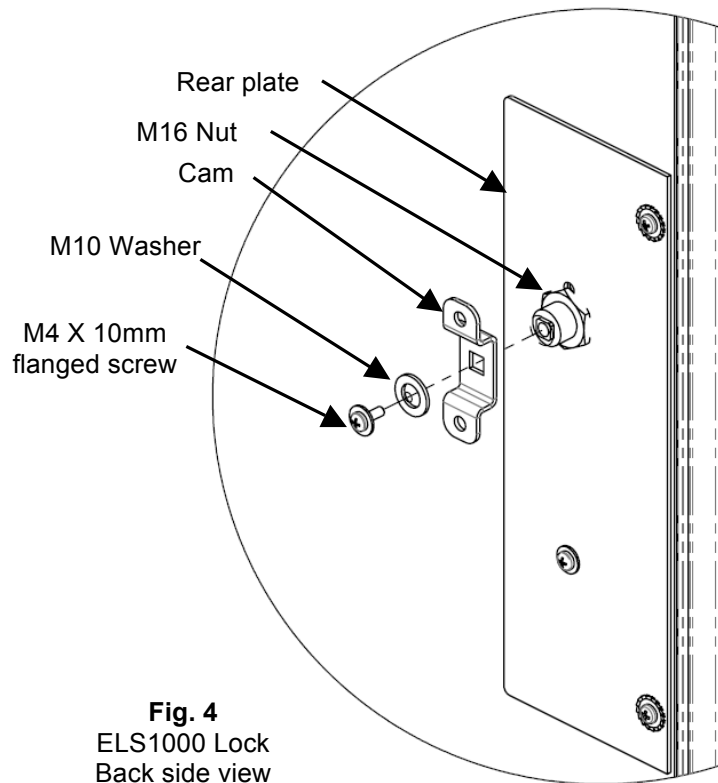


**Fig. 3**  
ELS1000 Lock Installation

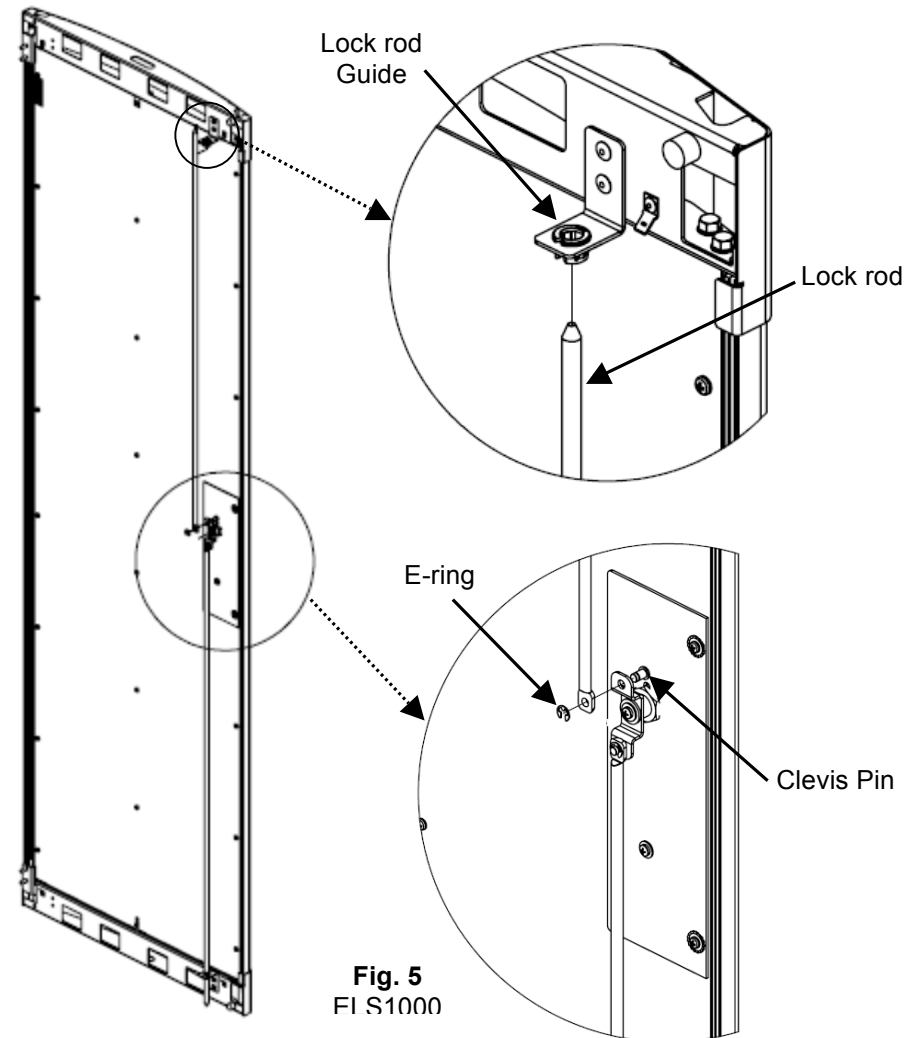
# Installation Instructions

## TERAFRAME® FRONT DOOR TWO-POINT ELS1000/ELS1500 LOCK

6. Place the M16 Nut over the lock spindle, push the cam onto the cam spindle (Fig.4).
7. Fasten the cam into the Lock spindle with M4X10mm flanged screws and M10 washer in ELS1000 locks (Fig. 4).



8. Insert the lock rods through the guides, with the short rod on the top and the long rod on the bottom (Fig. 5).
9. Insert the cam assembly pins through the short rod (on top) and the long rod (on bottom), then through the other half of the cam assembly (Fig. 5) and locked with-ring.

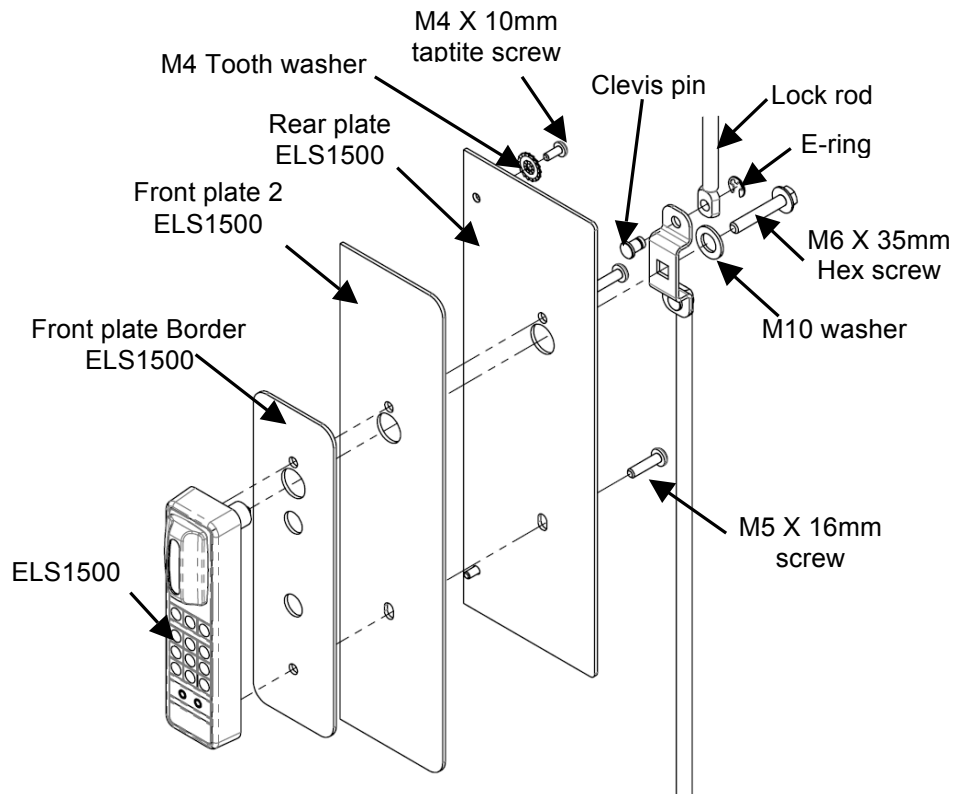


# Installation Instructions

## TERAFRAME® FRONT DOOR TWO-POINT ELS1000/ELS1500 LOCK

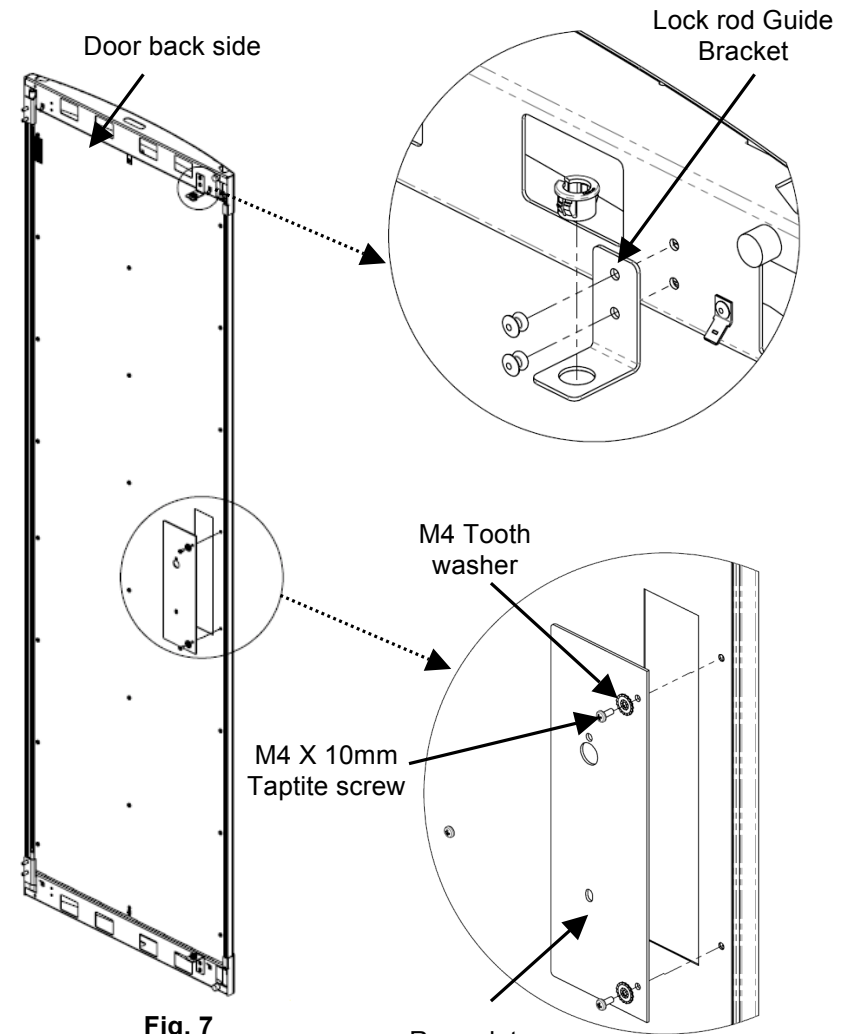
### ELS1500 Lock Assembly Sequence:

1. Install the two point ELS1500 (Fig. 6) onto TeraFrame front door.



**Fig. 6**  
ELS1500 Lock

2. Install lock rod guide brackets in the top and bottom door. Do not insert the lock rods yet (Fig. 7).
3. Position the Rear plate inside the door over the latch cut-out and fasten with two M4X10mm screws and M4 Tooth washer under each screw head. (Fig. 7).

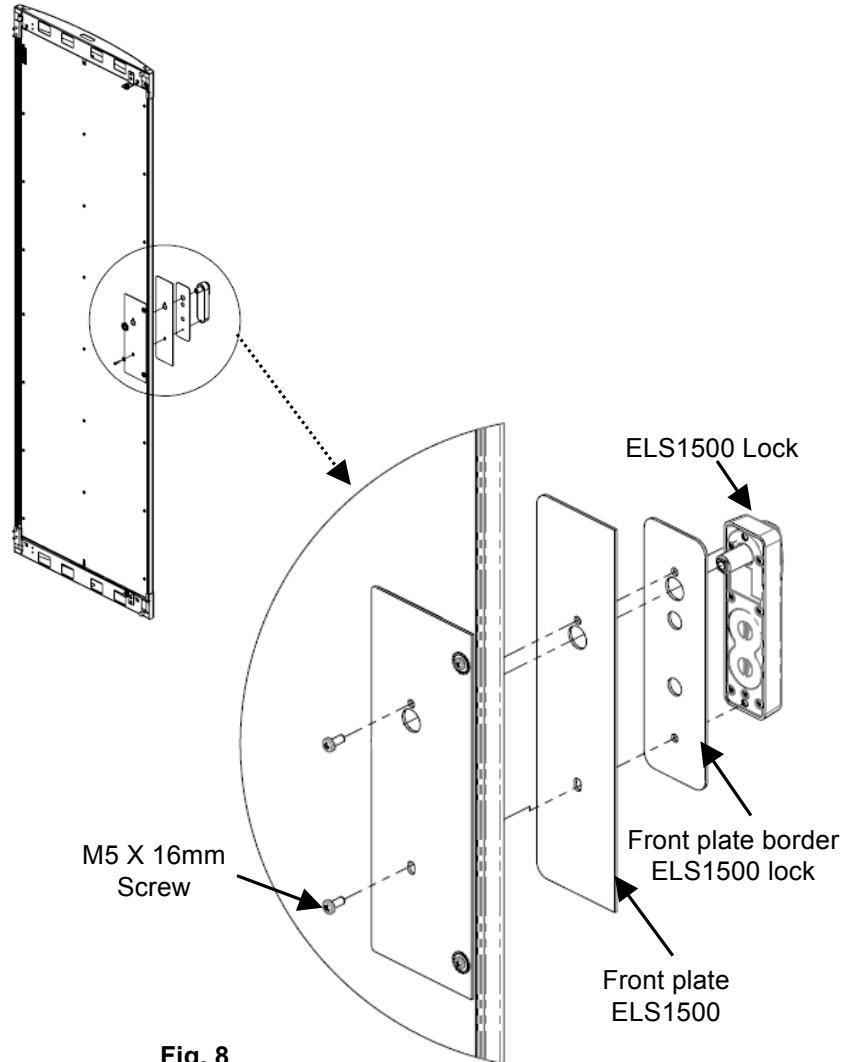


**Fig. 7**  
ELS1500 lock  
Door with rear plate installation

# Installation Instructions

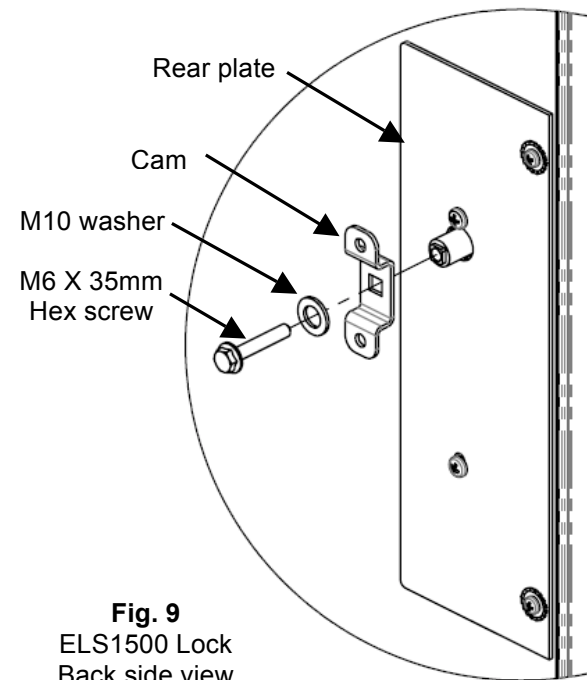
## TERAFRAME® FRONT DOOR TWO-POINT ELS1000/ELS1500 LOCK

4. Place the ELS1500 lock with the Front plate border in front door with spindle orientation up and rear plate from other side of the door (Fig. 8).
5. Secure the ELS1500 lock to the rear plate with the M5 X 16mm screws in the top and bottom holes (Fig. 8).



**Fig. 8**  
ELS1500 Lock Installation

6. Insert the cam into the Lock spindle and fasten with M6 X 35mm screws and M10 washer in ELS1500mm Lock (Fig. 9).



**Fig. 9**  
ELS1500 Lock  
Back side view

# Installation Instructions

## TERAFRAME® FRONT DOOR TWO-POINT ELS1000/ELS1500 LOCK

7. Insert the lock rods through the guides, with the short rod on the top and the long rod on the bottom (Fig. 10).
8. Insert the cam assembly pins through the short rod (on top) and the long rod (on bottom), then through the other half of the cam assembly (Fig. 10) and locked with-ring.

