

# Installation Instructions

## N-SERIES TERAFRAME SIDE PANEL ASSEMBLY

### Included Hardware:

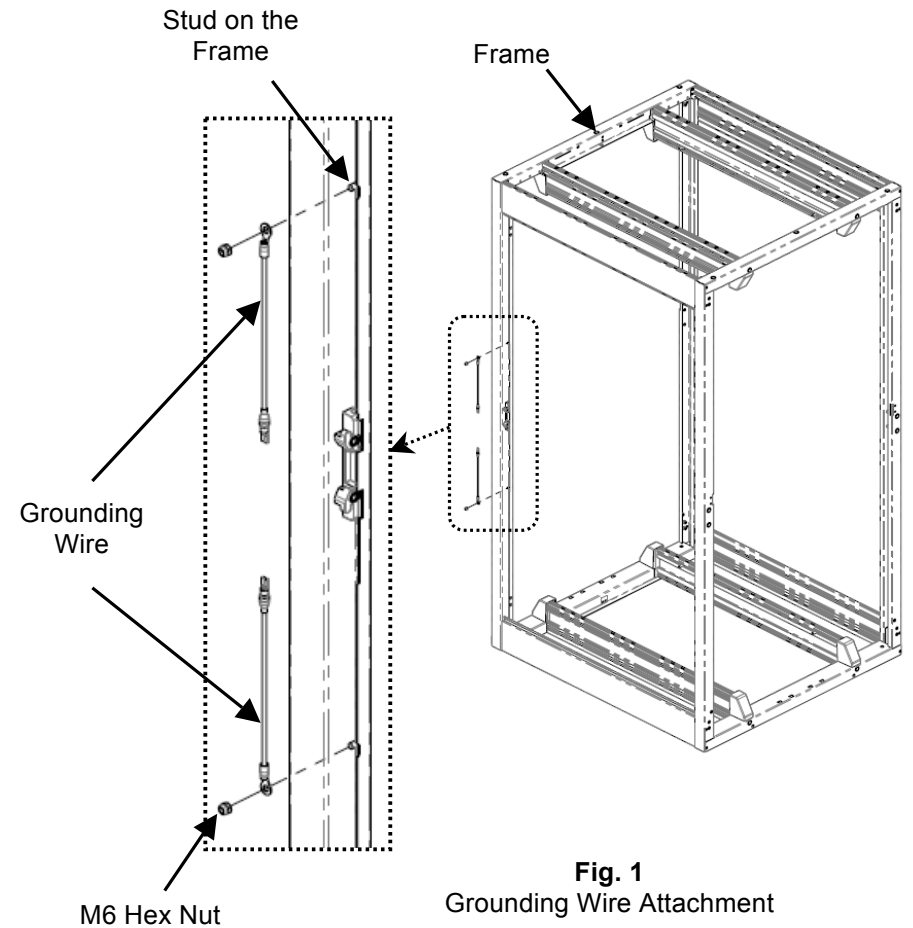
M6 Hex Nut, 2 ea.

### Tools Required:

10mm Socket Wrench

### Assembly Sequence:

1. Assemble the grounding wires to the studs available on the frame vertical members using M6 nuts (Fig. 1). The grounding wire can be assembled either at the front or rear of the frame.



CHATSWORTH PRODUCTS

IIS -739330, 01/09/14, Rev. 1, CPI/JAG

800-834-4969 (USA & Canada) • [www.chatsworth.com](http://www.chatsworth.com) • [techsupport@chatsworth.com](mailto:techsupport@chatsworth.com)

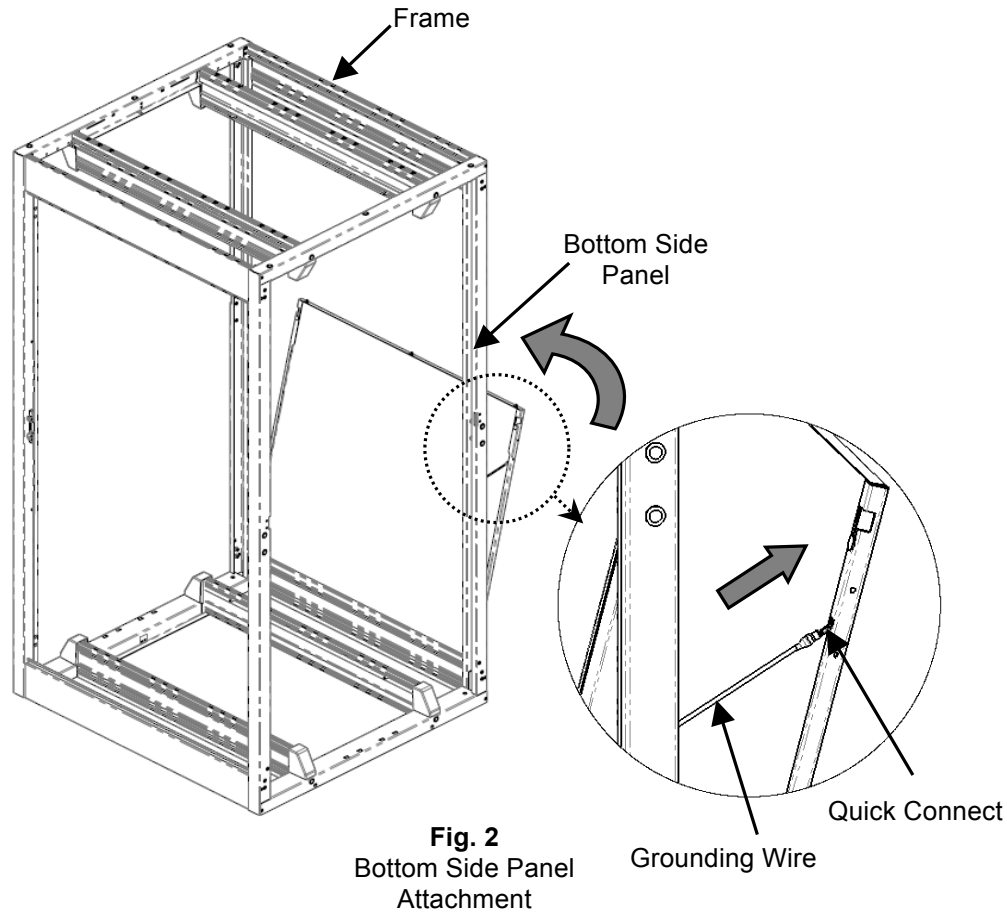
For international phone numbers, see our website or contact CPI Tech Support.

*This drawing contains proprietary and confidential information and is protected by U.S. and international law. Unauthorized reproduction, disclosure or use of the drawing or the information therein is expressly forbidden except as agreed to in writing by Chatsworth Products, Inc.*

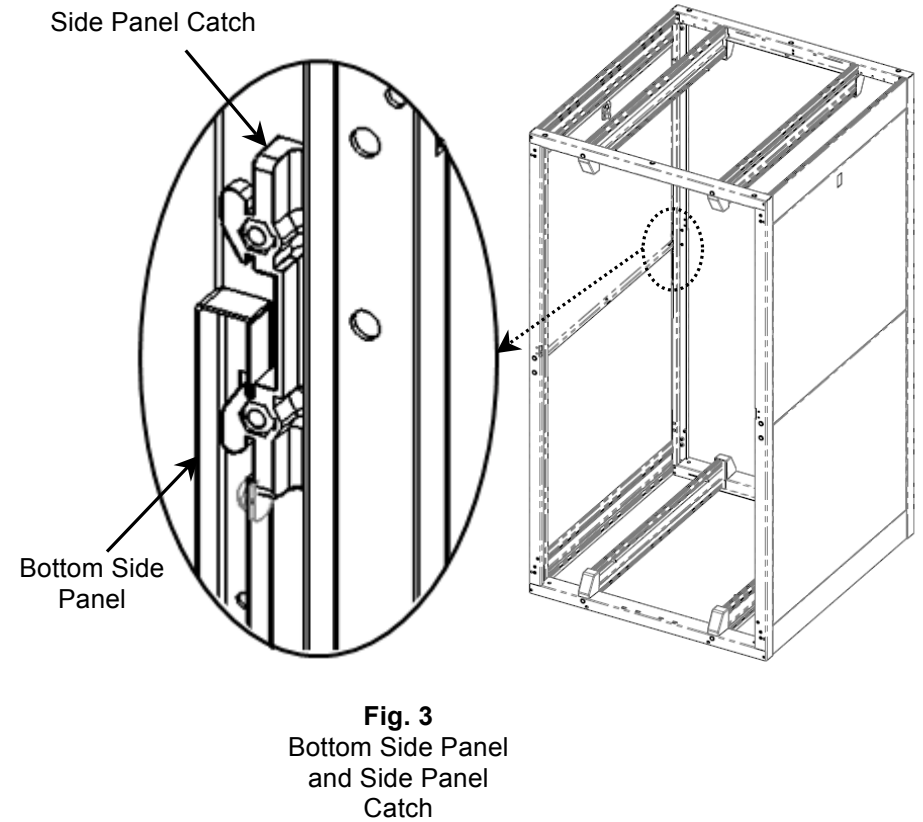
# Installation Instructions

## N-SERIES TERAFRAME SIDE PANEL ASSEMBLY

2. Rest the bottom side panel on the lower frame side. Swing the bottom side panel towards the frame. Attach the grounding wire using the quick connect on the bottom side panel (Fig. 2).



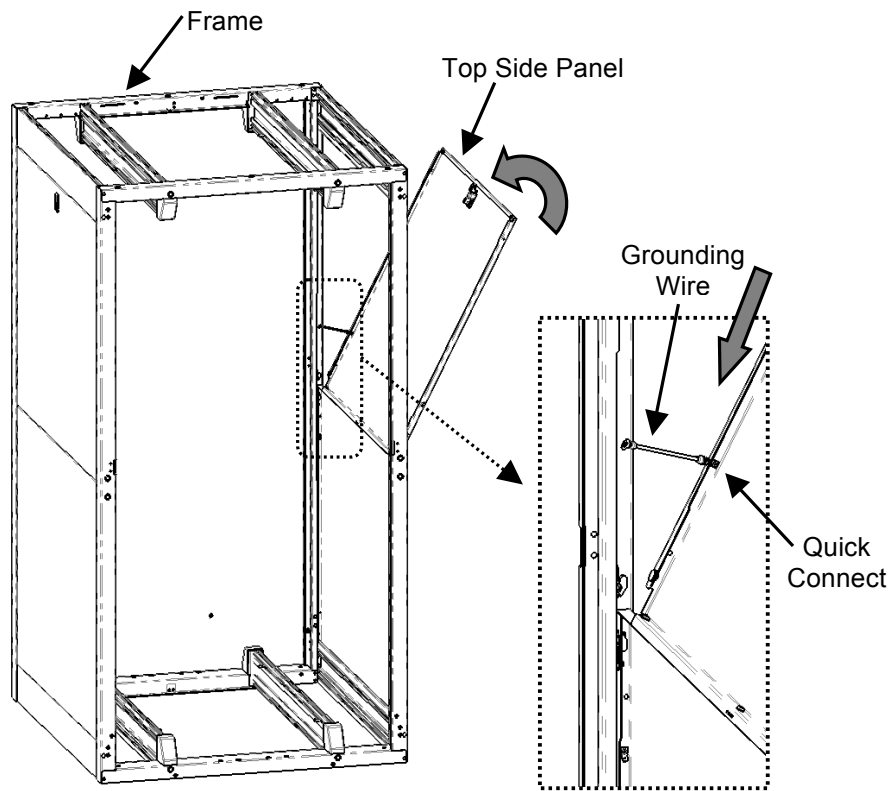
3. Lift and lower the bottom side panel to engage the side panel catch (Fig. 3).



# Installation Instructions

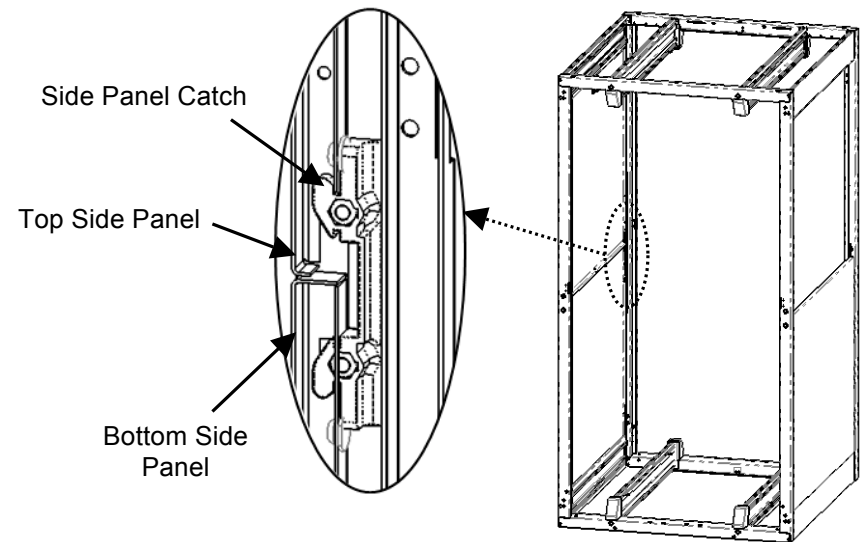
## N-SERIES TERAFRAME SIDE PANEL ASSEMBLY

4. Rest the top side panel on top of bottom side panel. Swing the top side panel towards the frame. Attach the grounding wire using the quick connect on the top side panel (Fig. 4).

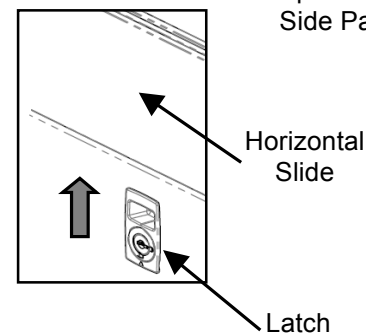


**Fig. 4**  
Top Side Panel Attachment

5. Lift and lower the top side panel to engage the side panel catch (Fig.5).
6. Rotate the top side panel to close and push up on the latch to ensure the engages with the frame slide (Fig. 6).
7. Use key to secure the side panels when not in use.



**Fig. 5**  
Top Side Panel and  
Side Panel Catch



**Fig. 6**