

# Installation Instructions

## N-SERIES TERAFRAME EQUIPMENT RAIL FINGER KIT

### Installation Notes:

The equipment mounting rail must be set back a minimum distance 7.58" (192.5mm) for finger cable manager installation (Fig. 1).

### Assembly Sequence:

The Finger cable manager (Fig. 2) attaches to the Equipment mounting rail (Fig. 3).

1. Cable fingers snap into the rectangular slots on the equipment mounting rail (Fig. 3). If your cable finger kit includes a short section install it at the bottom position.

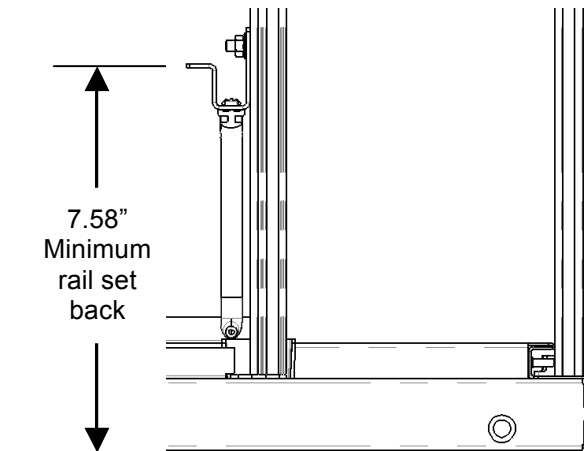


Fig. 1

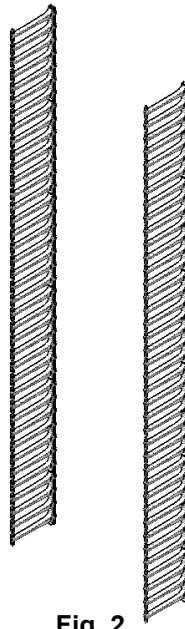


Fig. 2  
Finger cable manager

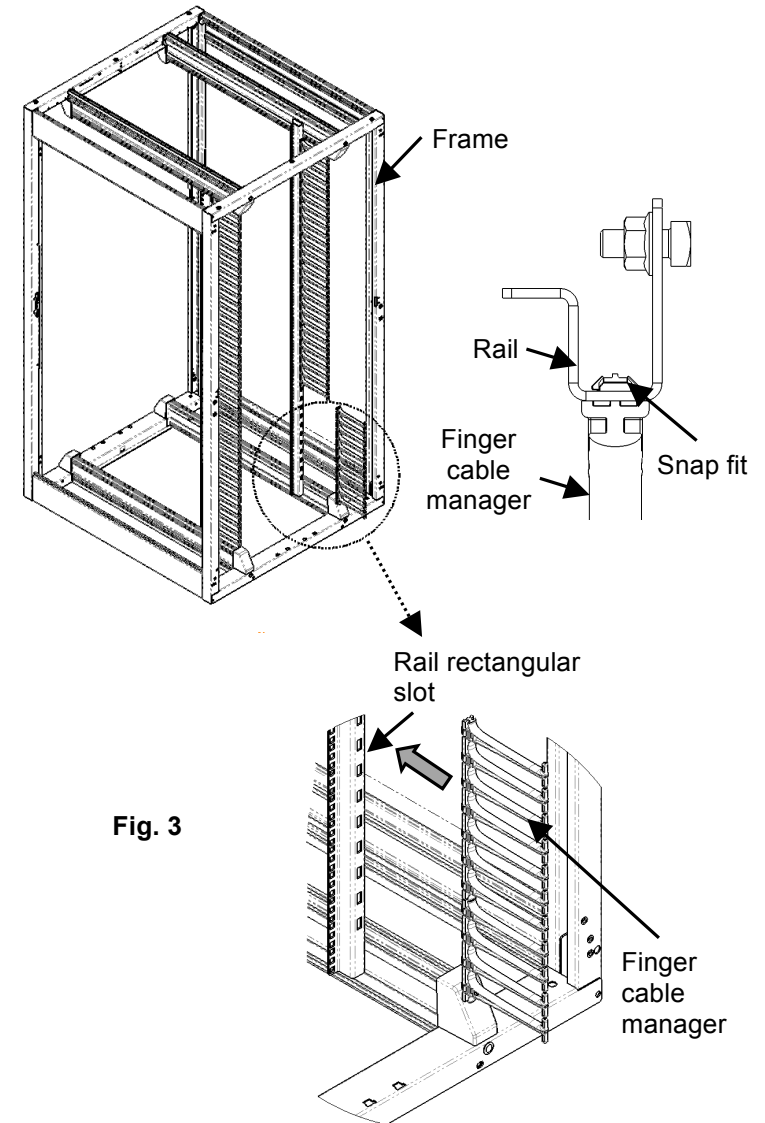


Fig. 3



CHATSWORTH PRODUCTS

IIS-739375, 01/09/14, Rev. 1, CPI/JAG

800-834-4969 (USA & Canada) • [www.chatsworth.com](http://www.chatsworth.com) • [techsupport@chatsworth.com](mailto:techsupport@chatsworth.com)

For international phone numbers, see our website or contact CPI Tech Support.

*This drawing contains proprietary and confidential information and is protected by U.S. and international law. Unauthorized reproduction, disclosure or use of the drawing or the information therein is expressly forbidden except as agreed to in writing by Chatsworth Products, Inc.*